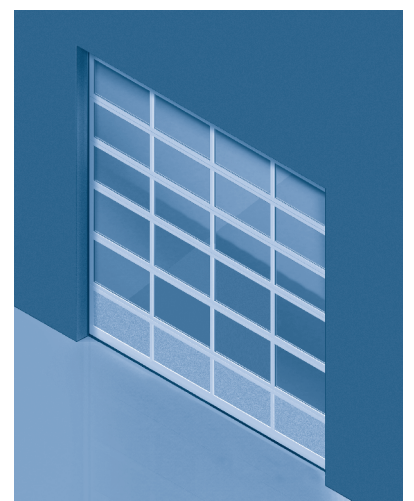
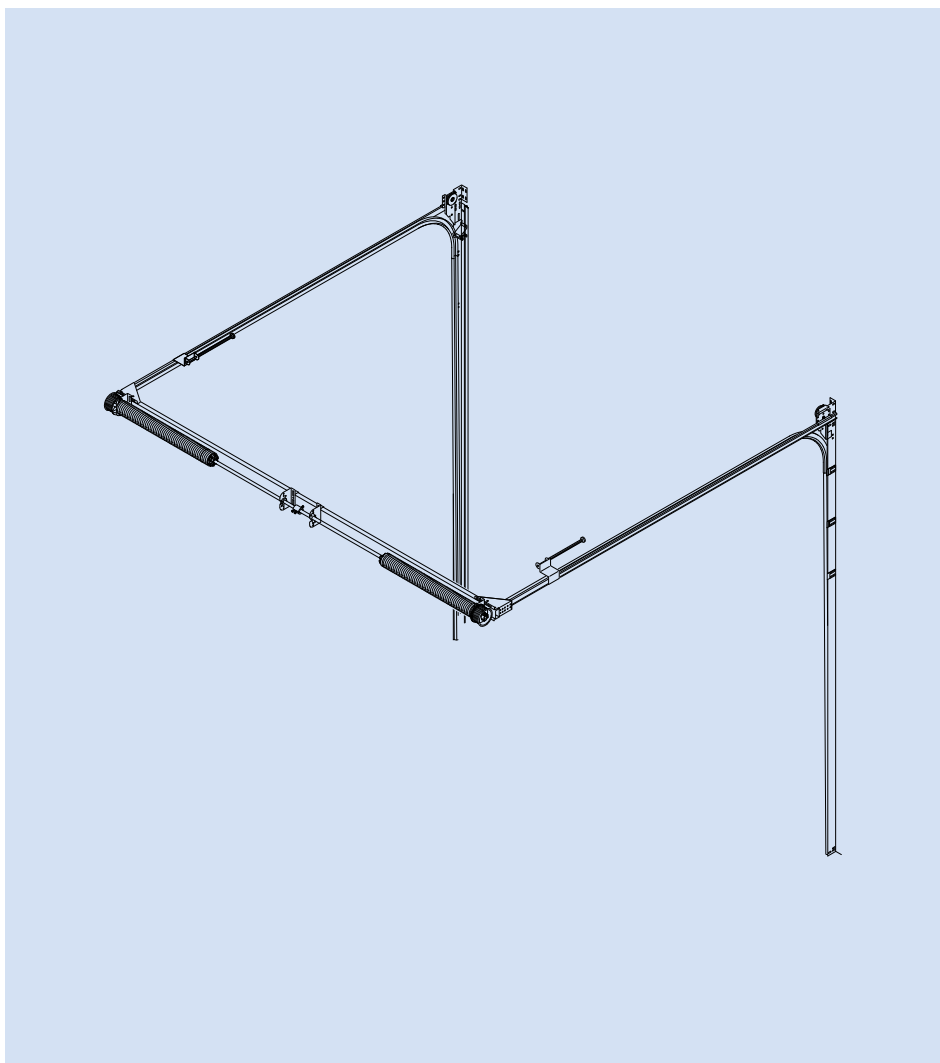
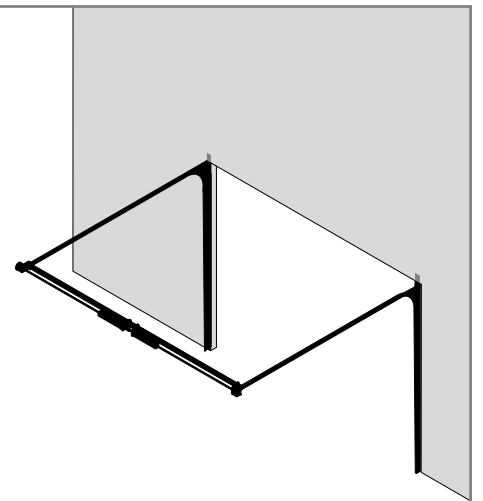
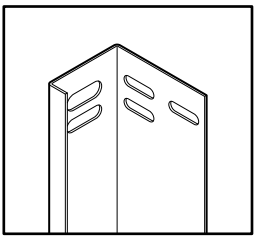
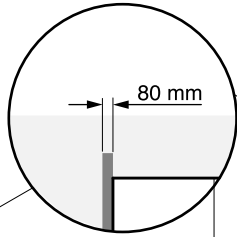


# T 340

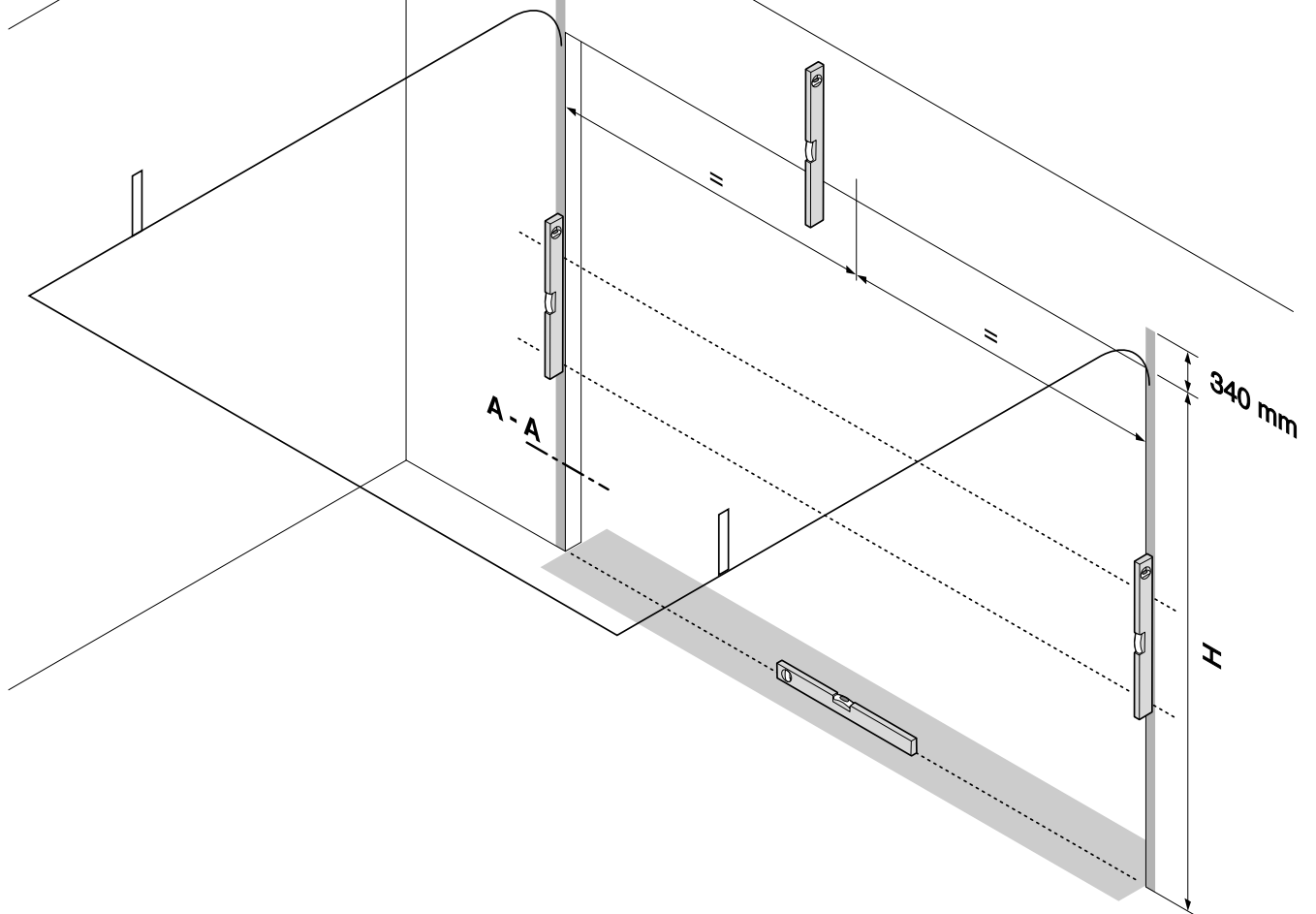




L+R



80 mm



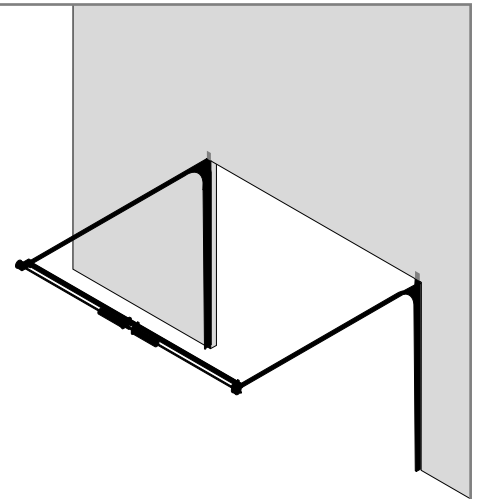
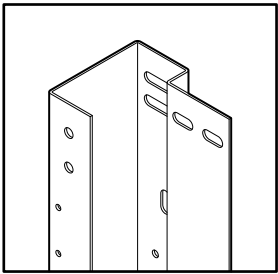
A - A

340 mm

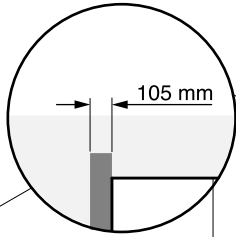
H

A - A

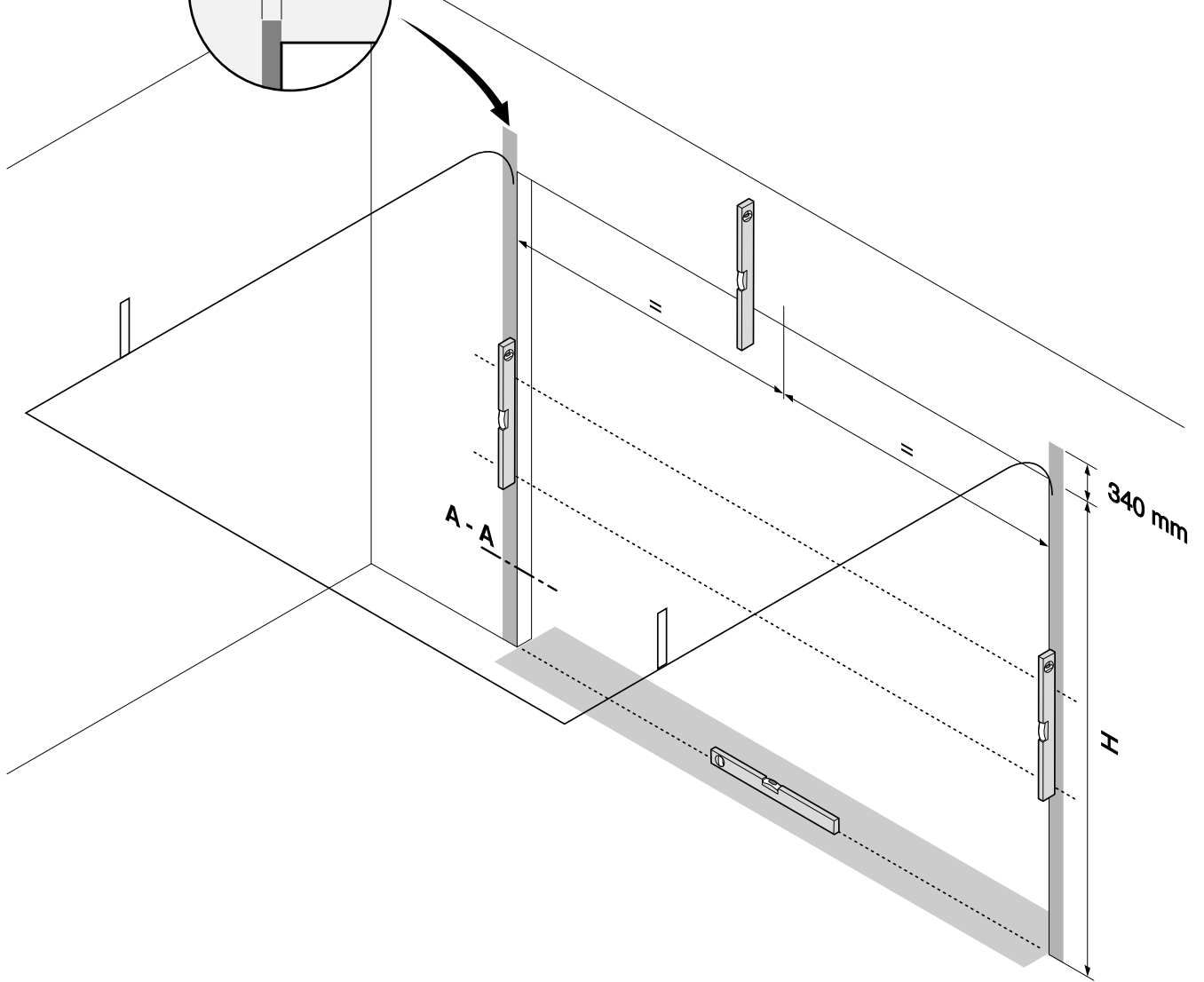




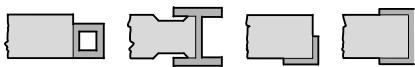
L+R

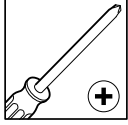
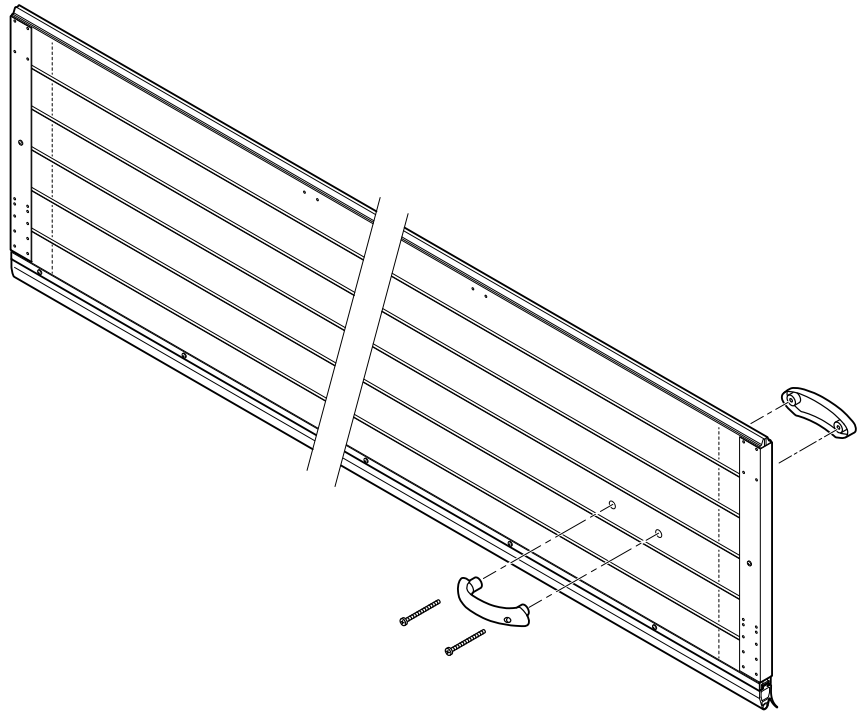
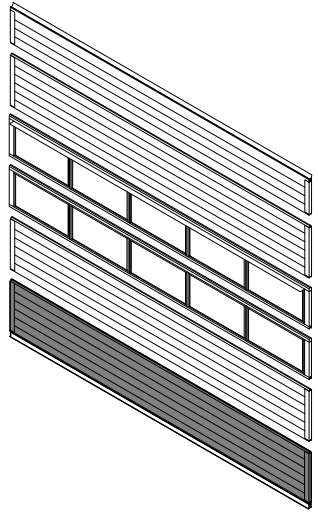


105 mm

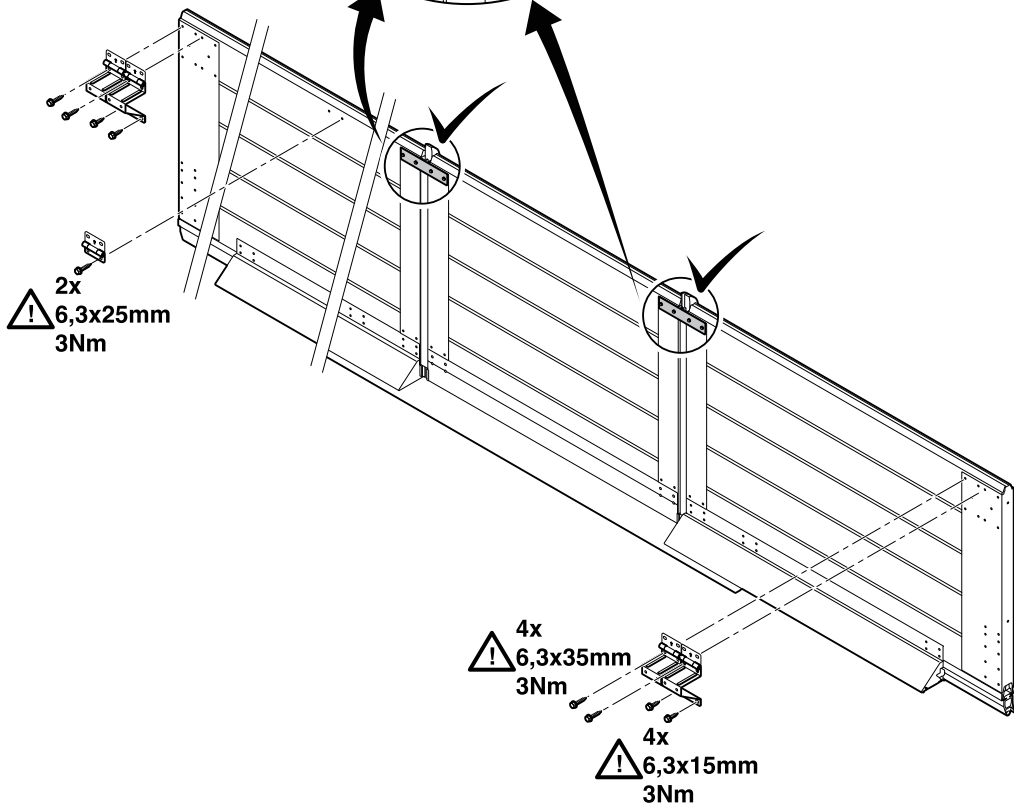
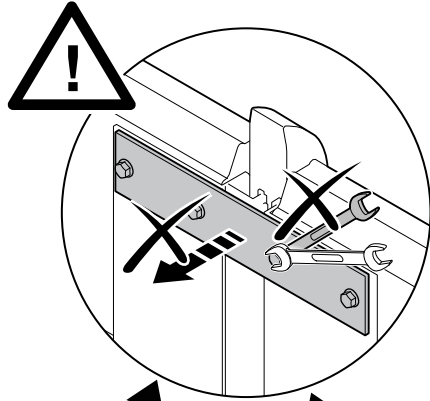
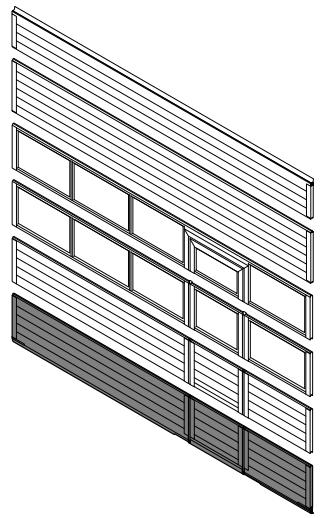


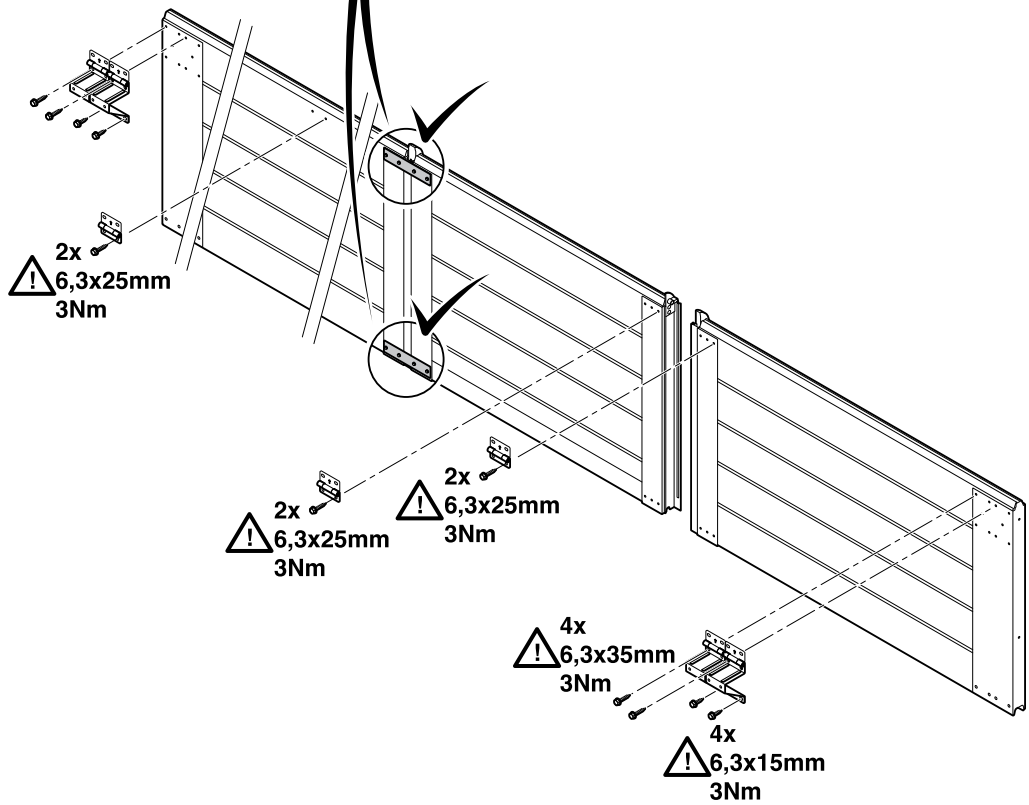
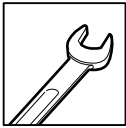
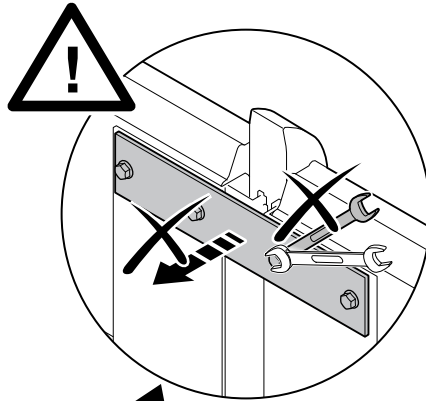
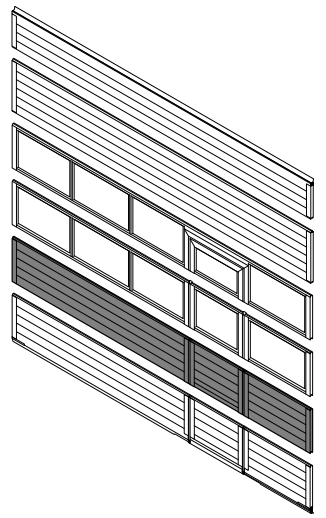
A - A

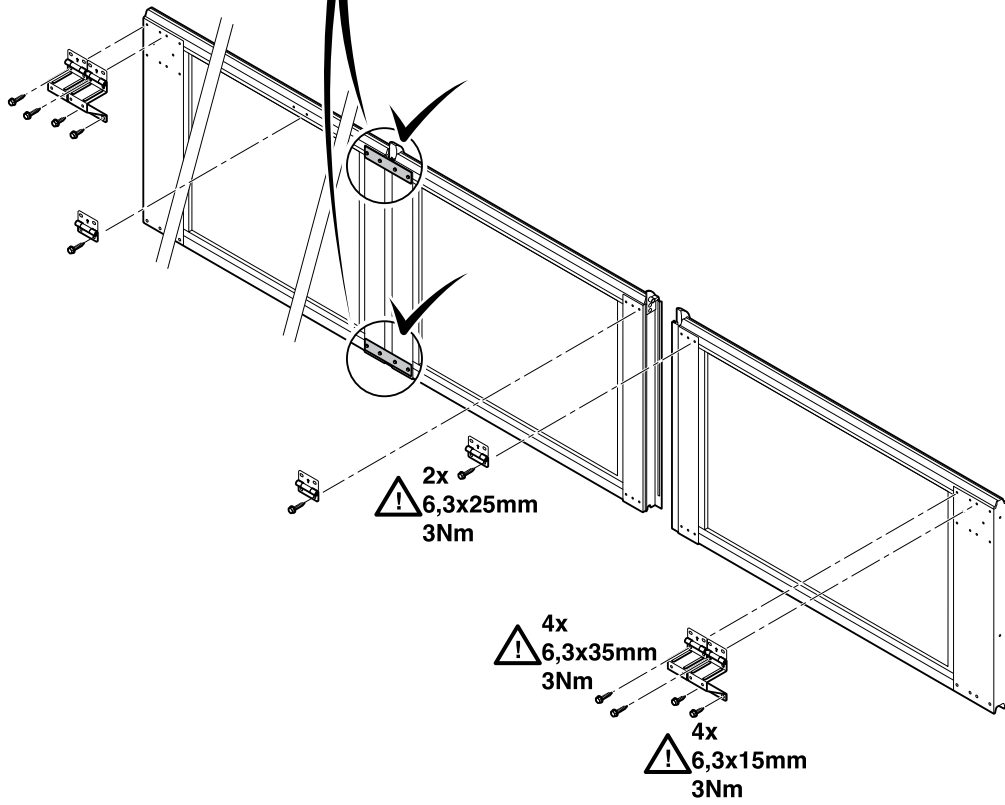
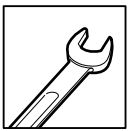
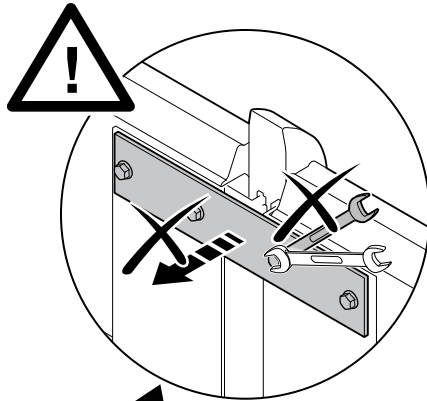
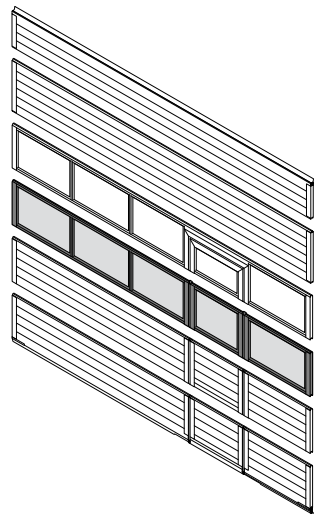


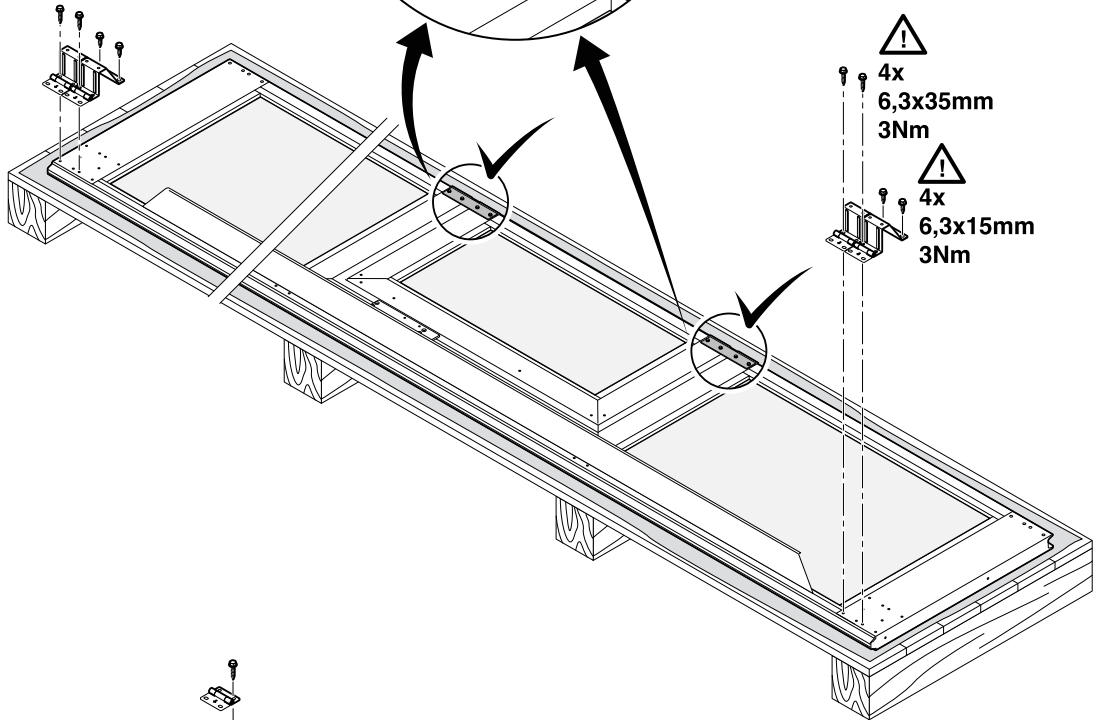
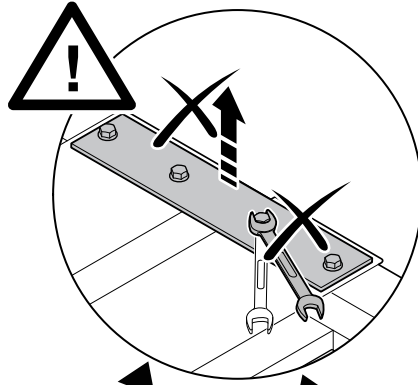
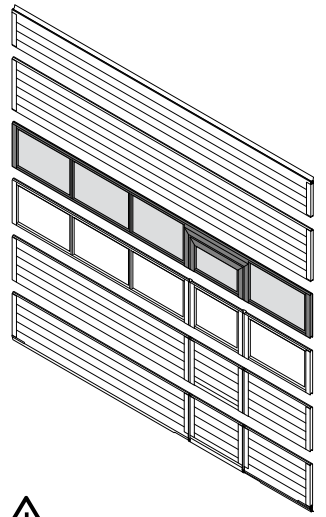






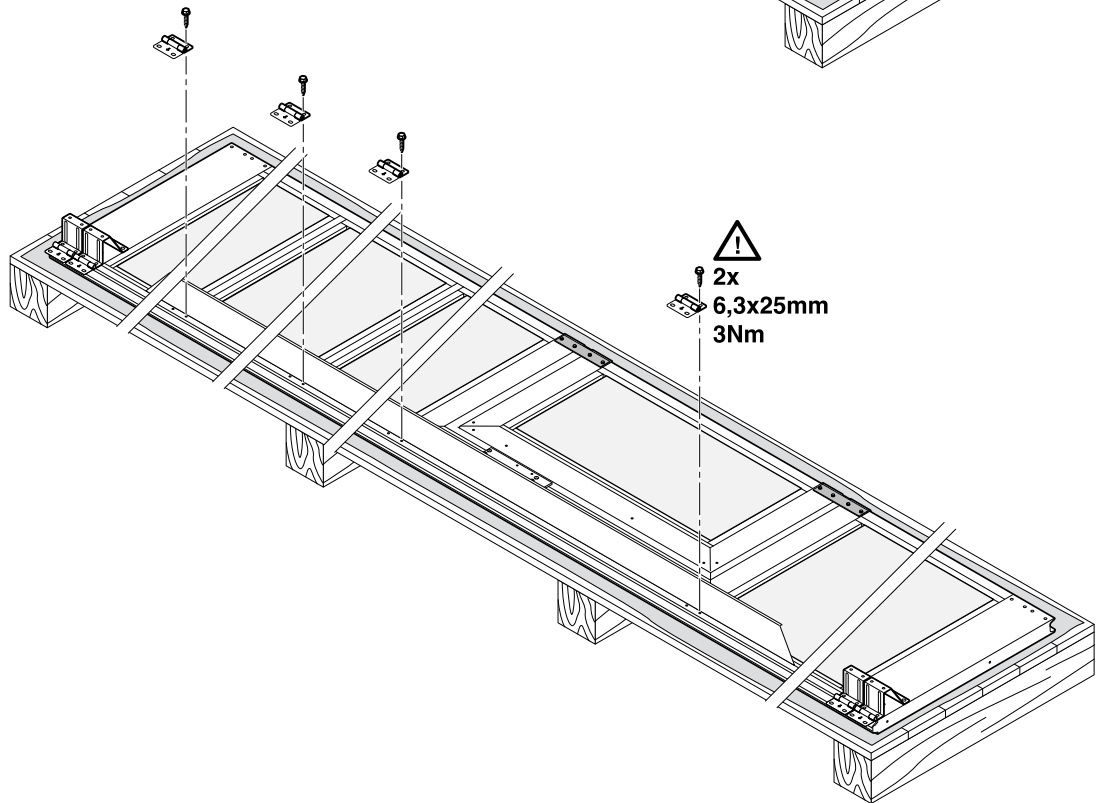
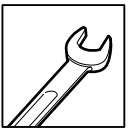




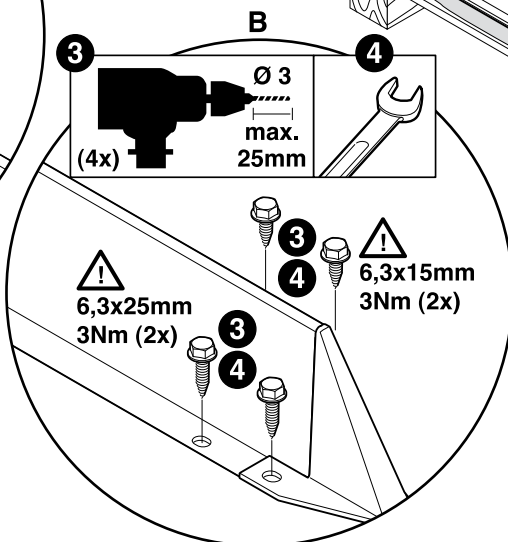
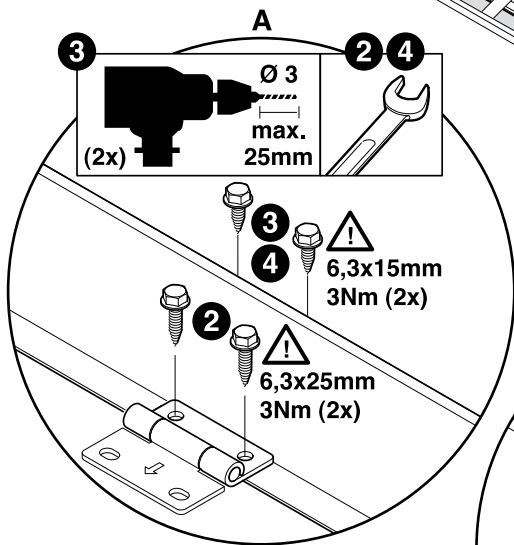
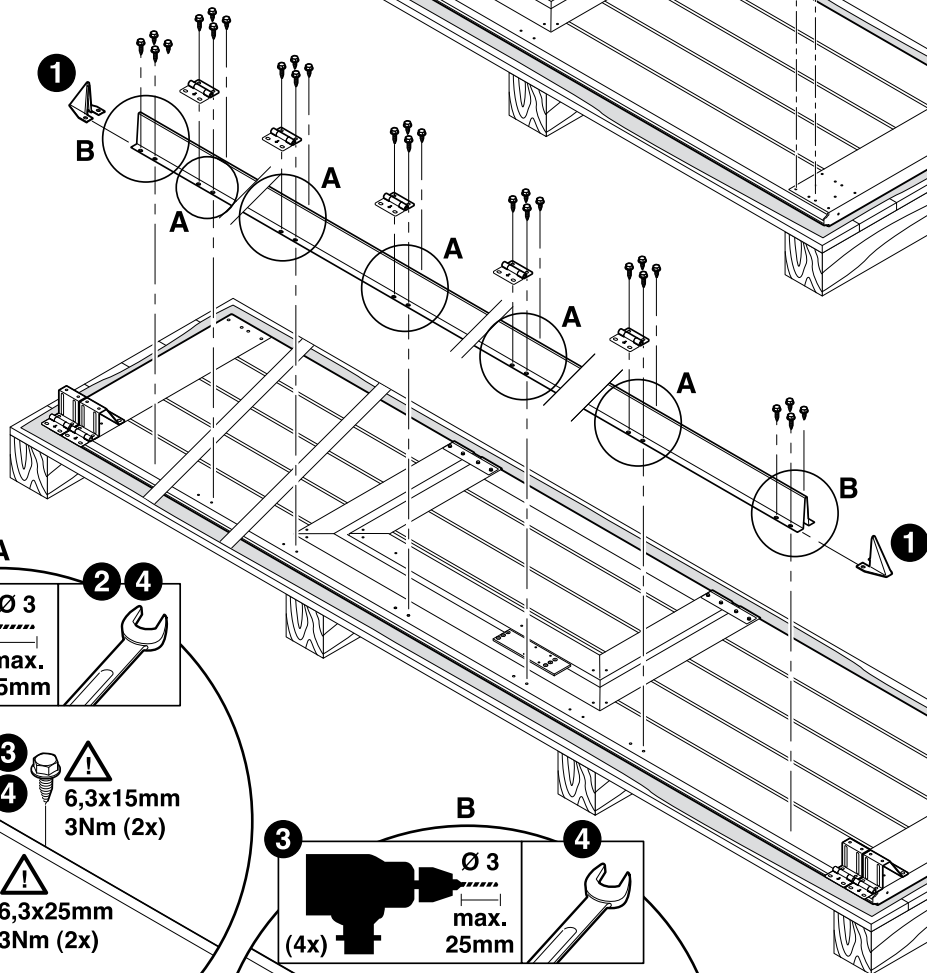
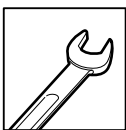
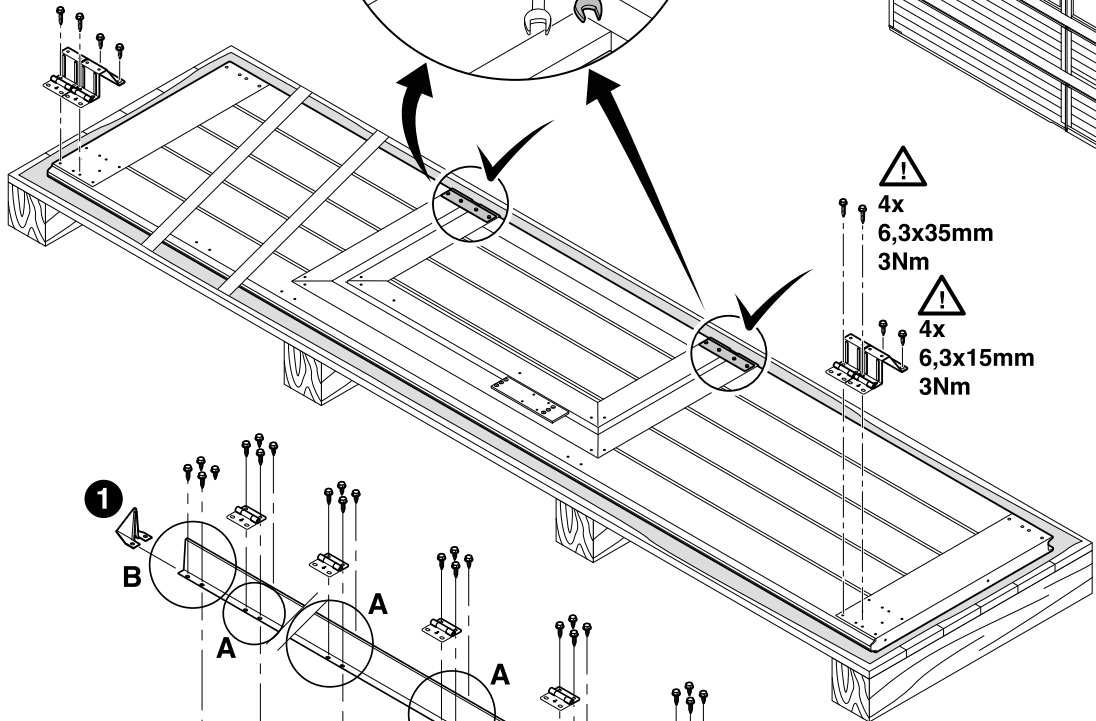
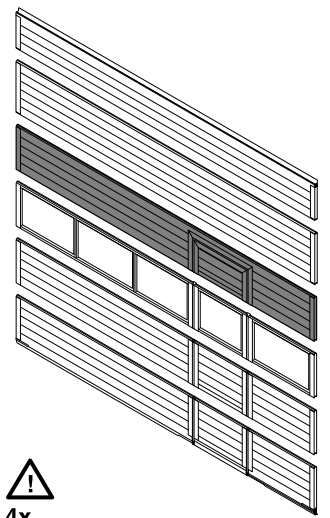
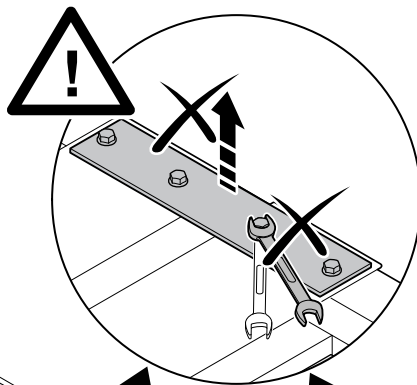


⚠  
4x  
6,3x35mm  
3Nm

⚠  
4x  
6,3x15mm  
3Nm



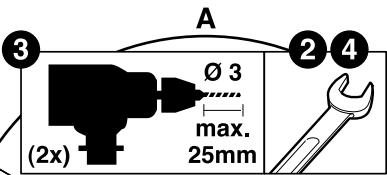
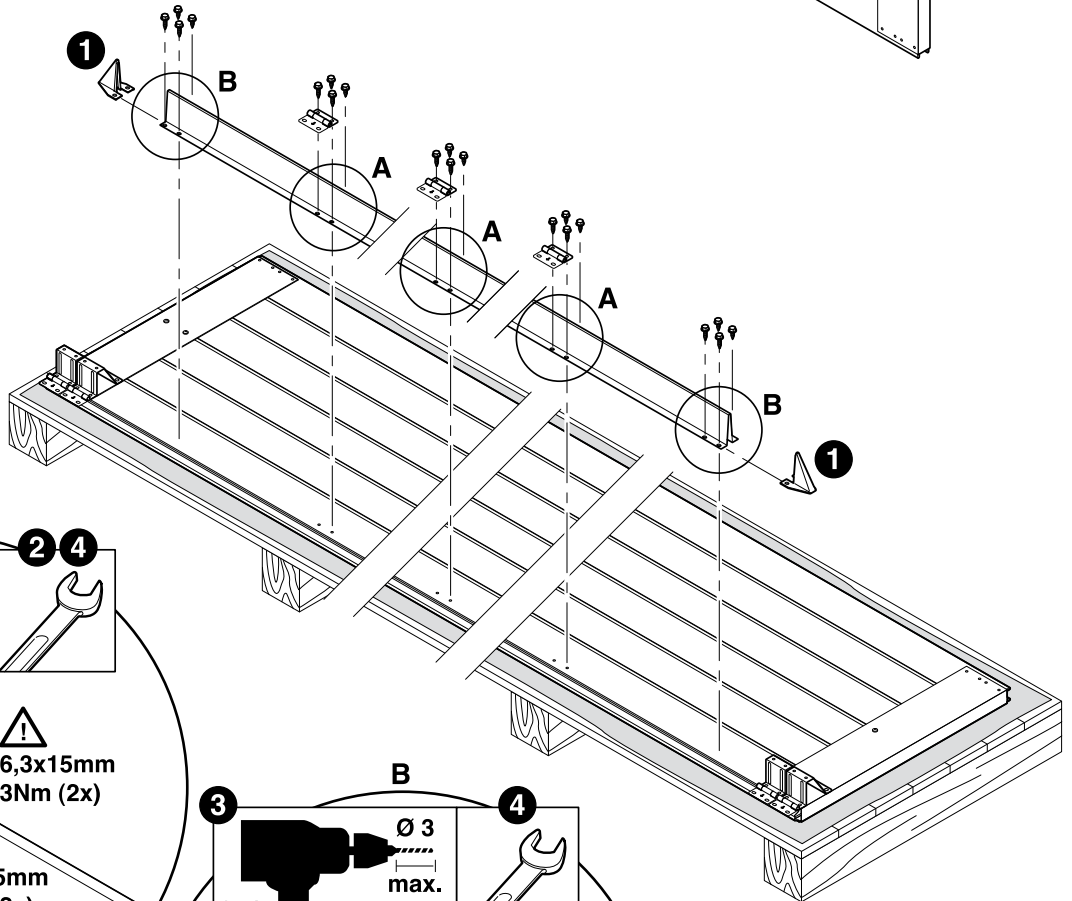
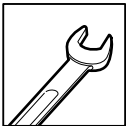
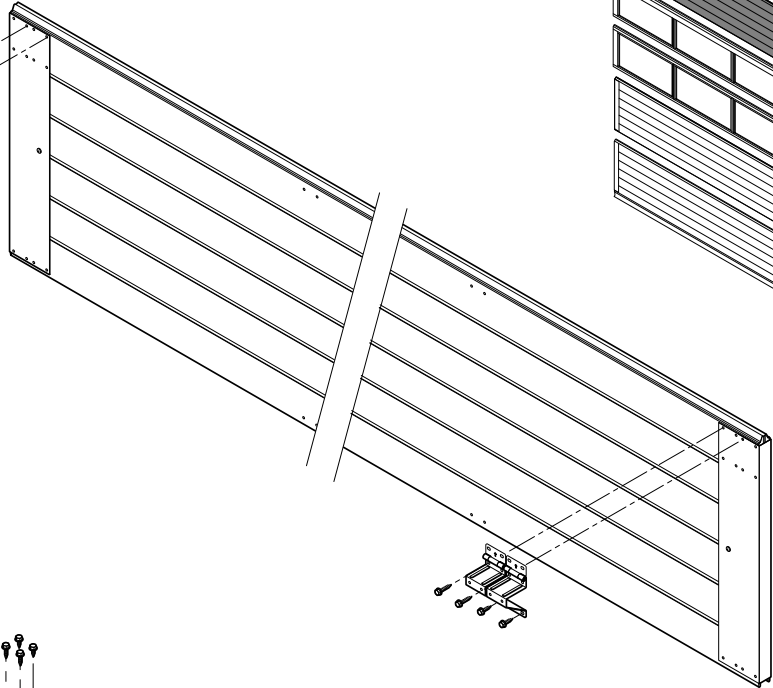
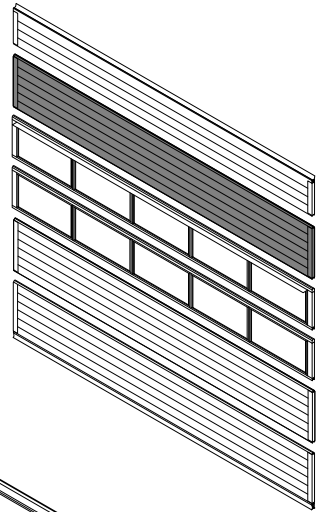
⚠  
2x  
6,3x25mm  
3Nm





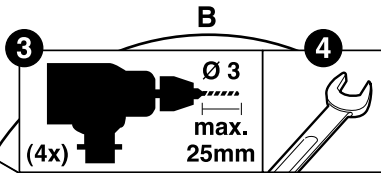
4x  
⚠ 6,3x35mm  
3Nm

4x  
⚠ 6,3x15mm  
3Nm



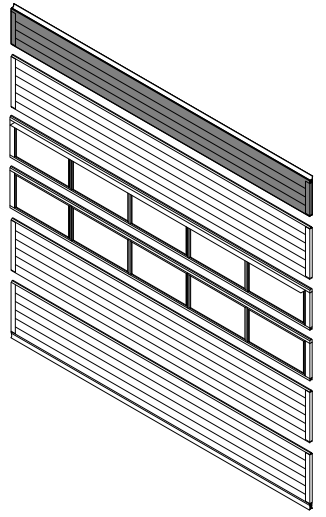
3 ⚠  
4 6,3x15mm  
3Nm (2x)

2 ⚠  
3 6,3x25mm  
3Nm (2x)



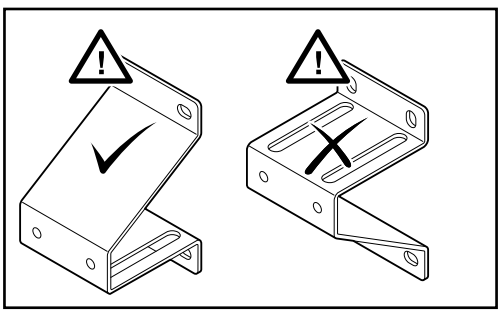
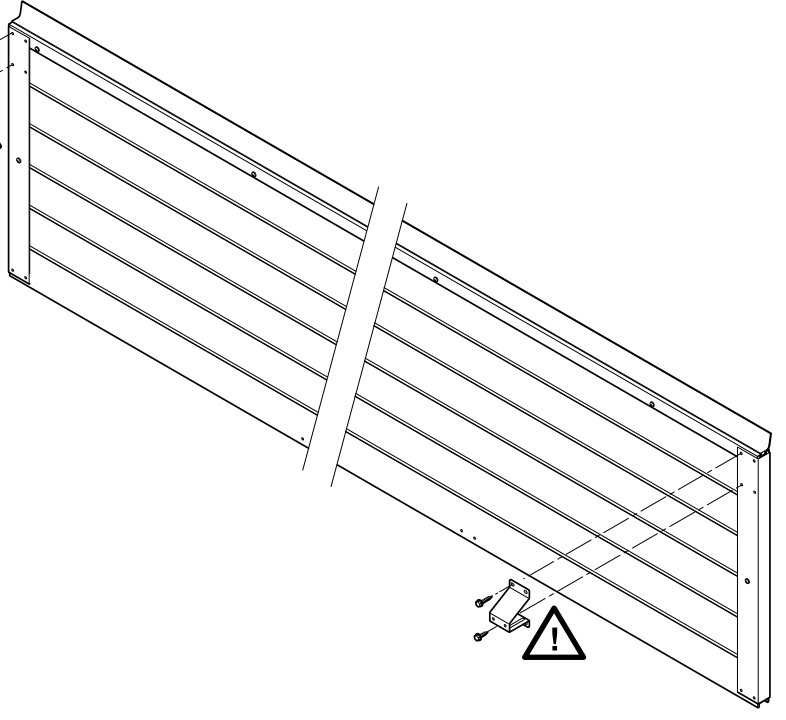
⚠  
6,3x25mm  
3Nm (2x)

3 ⚠  
4 6,3x15mm  
3Nm (2x)

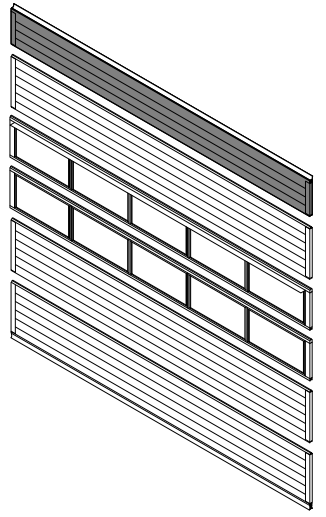


2x  
! 6,3x35mm  
3Nm

2x  
! 6,3x15mm  
3Nm

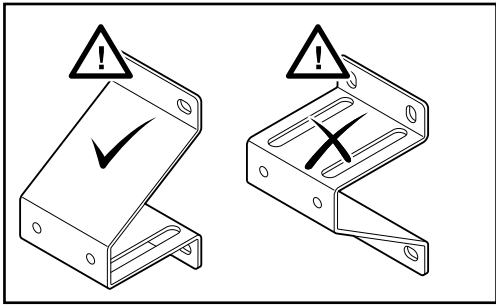
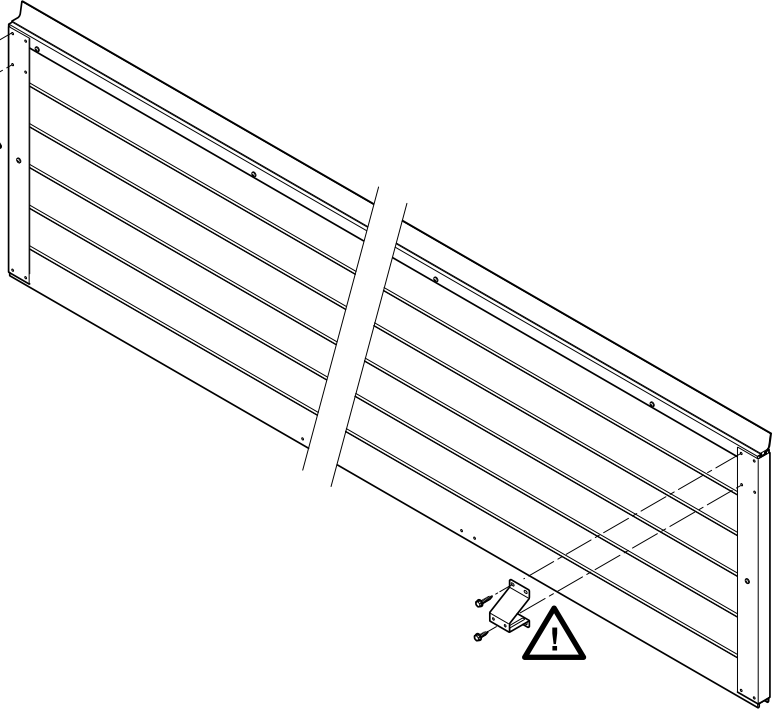




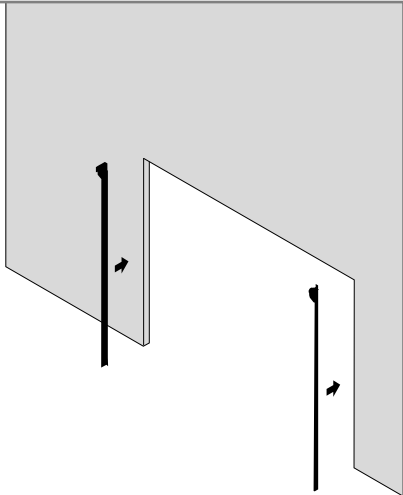


2x  
! 6,3x35mm  
3Nm

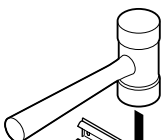
2x  
! 6,3x15mm  
3Nm



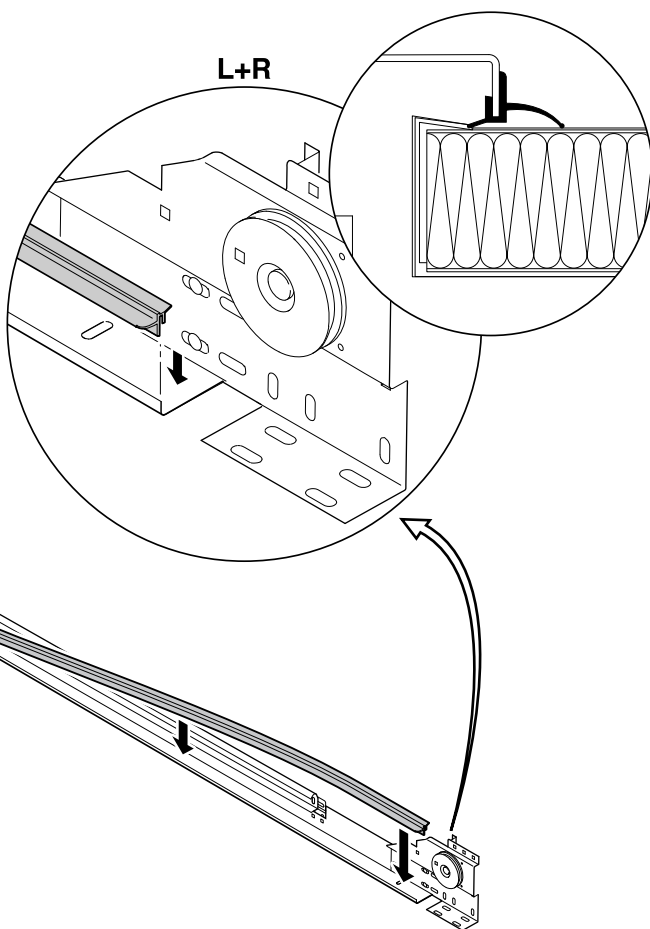


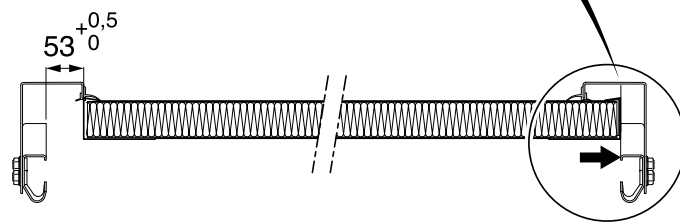
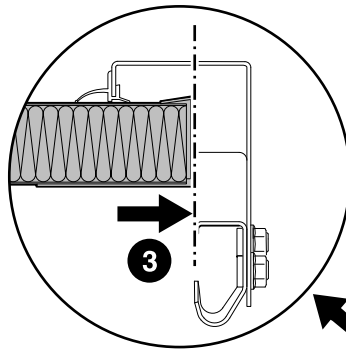
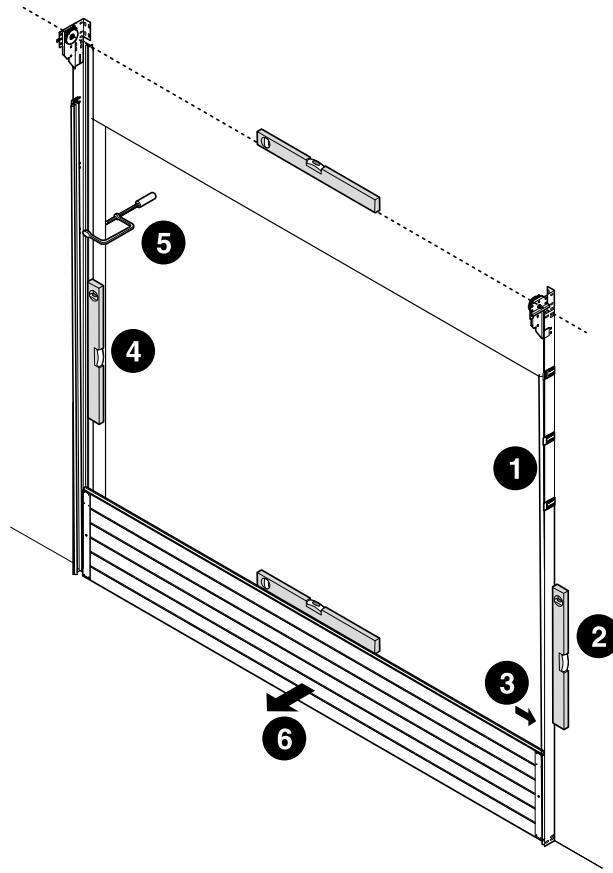
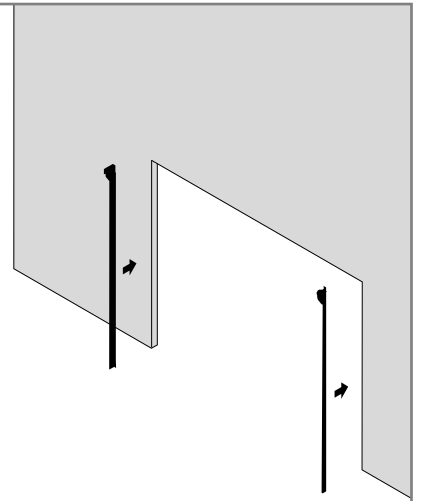
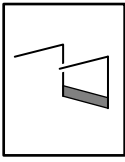


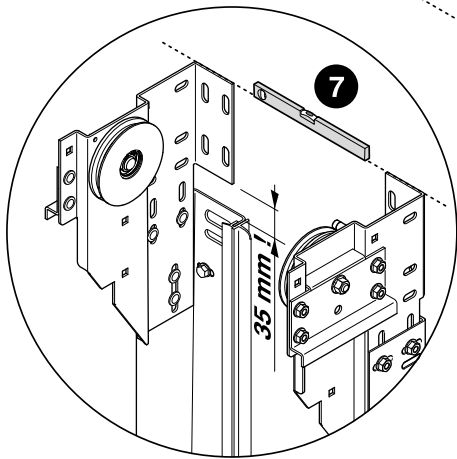
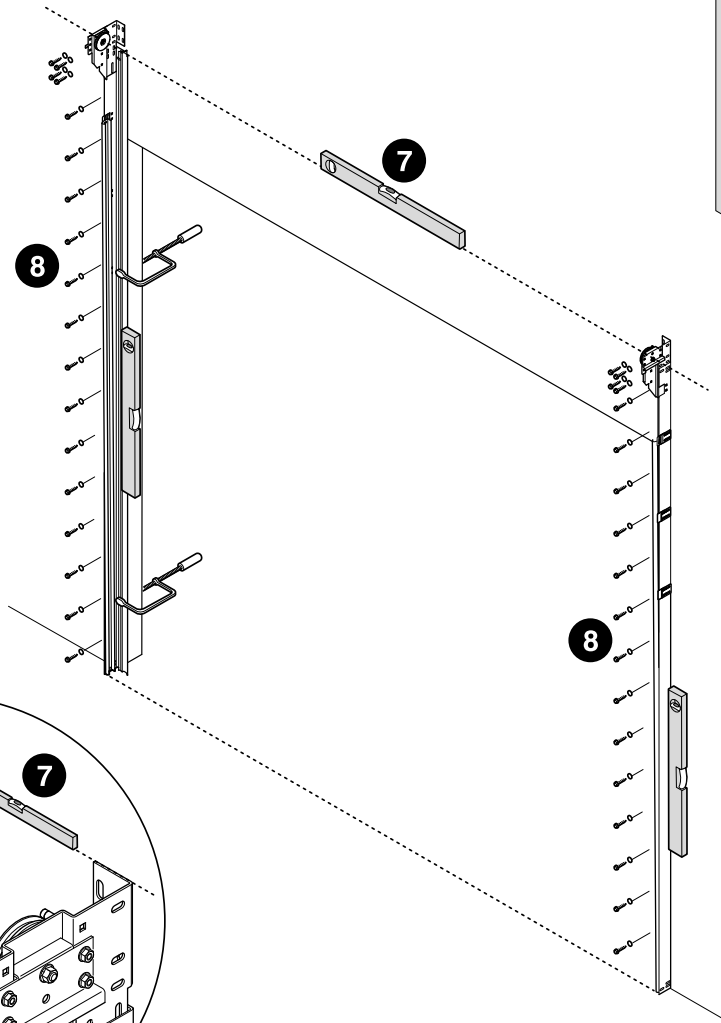
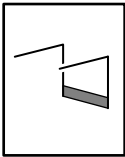
L+R



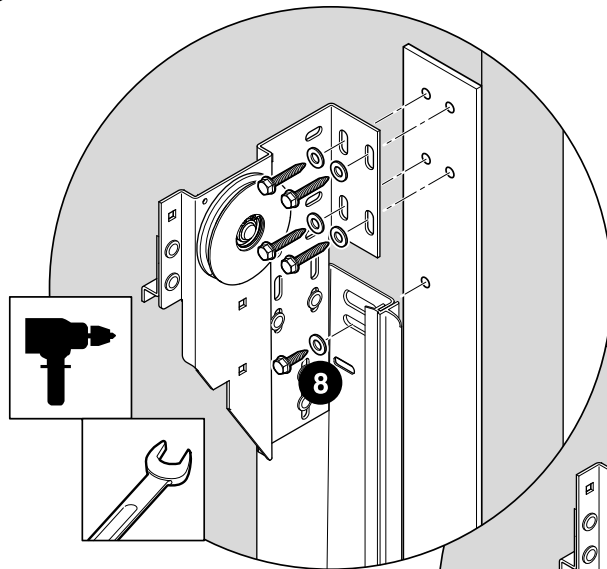
L+R



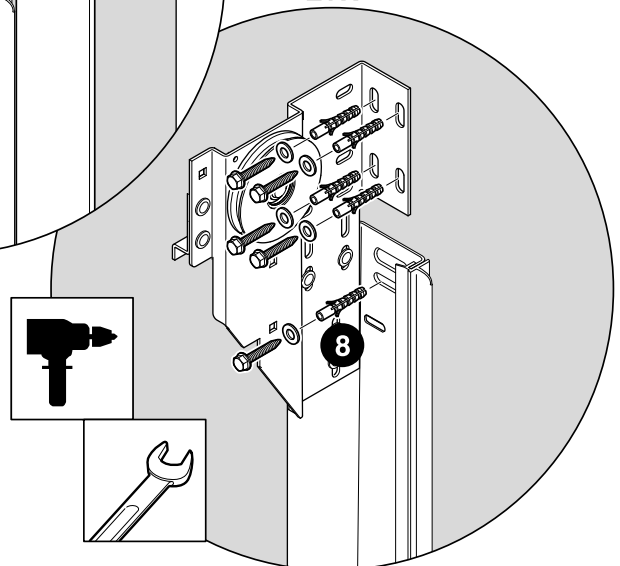


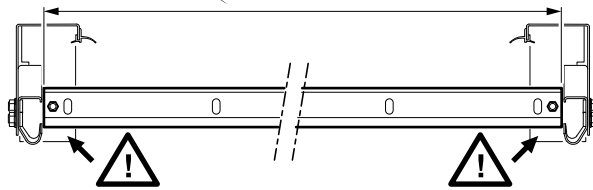
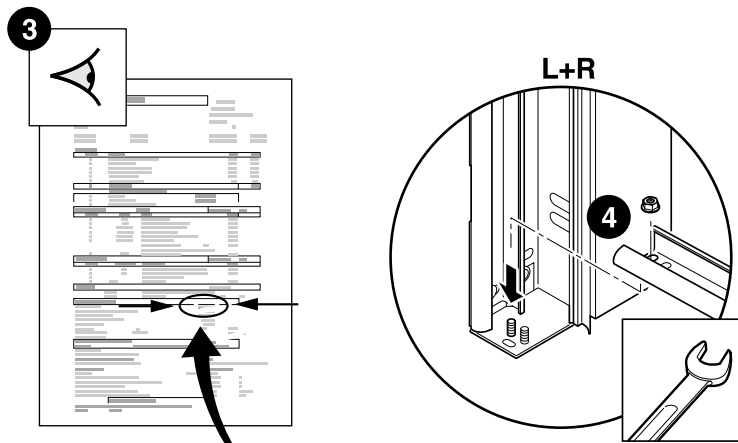
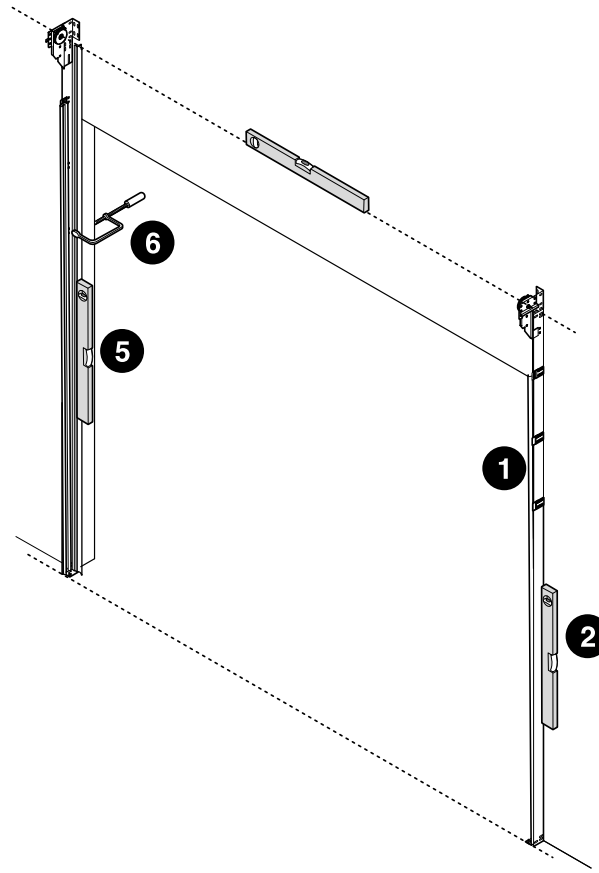
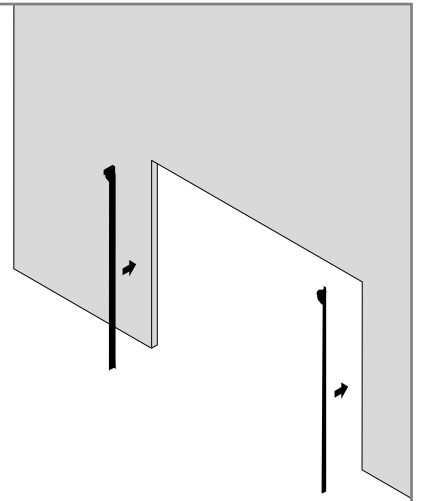
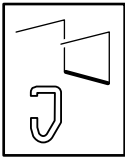


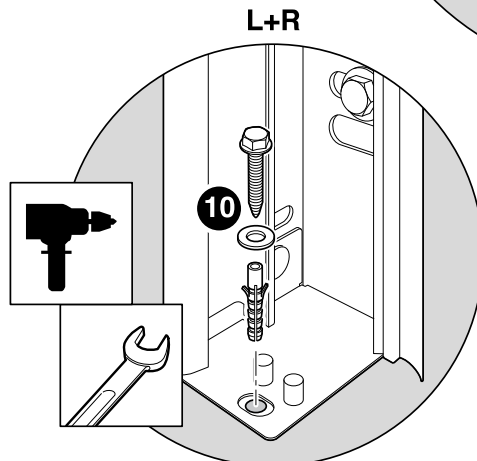
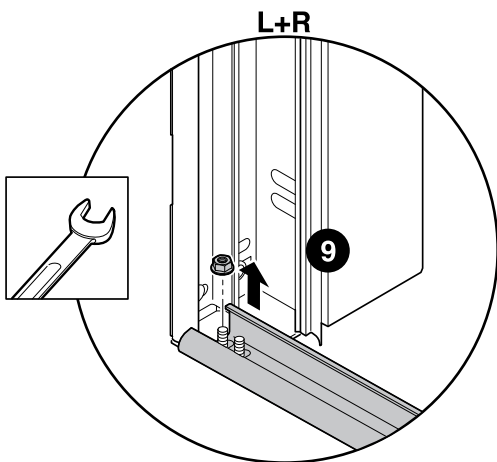
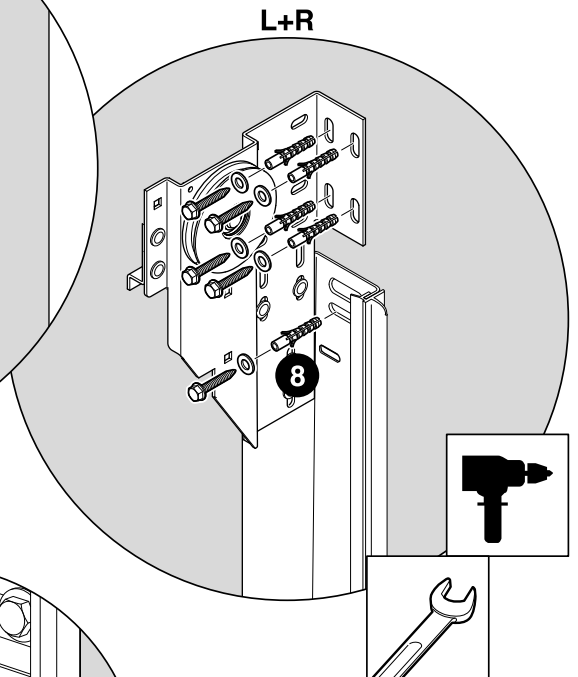
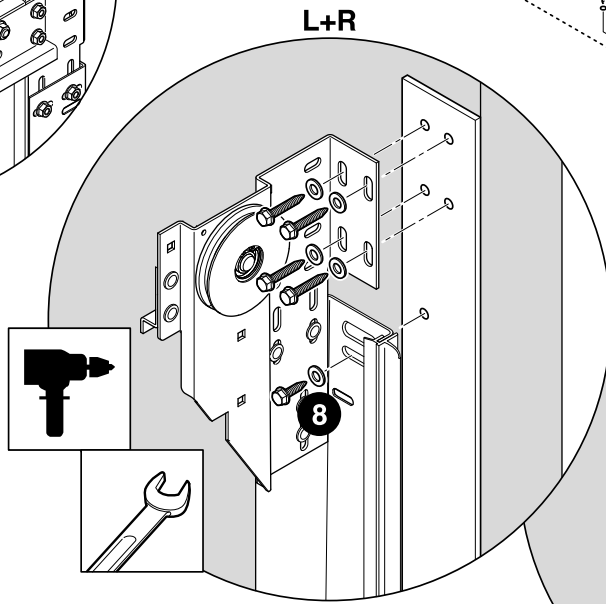
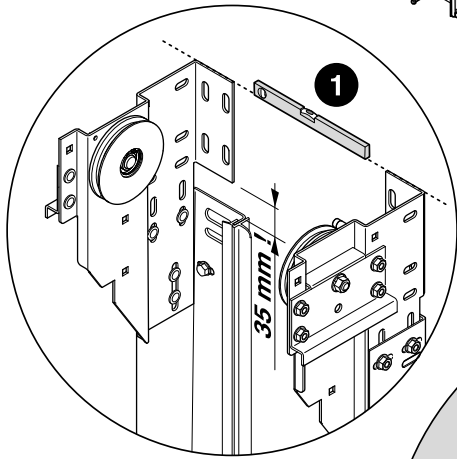
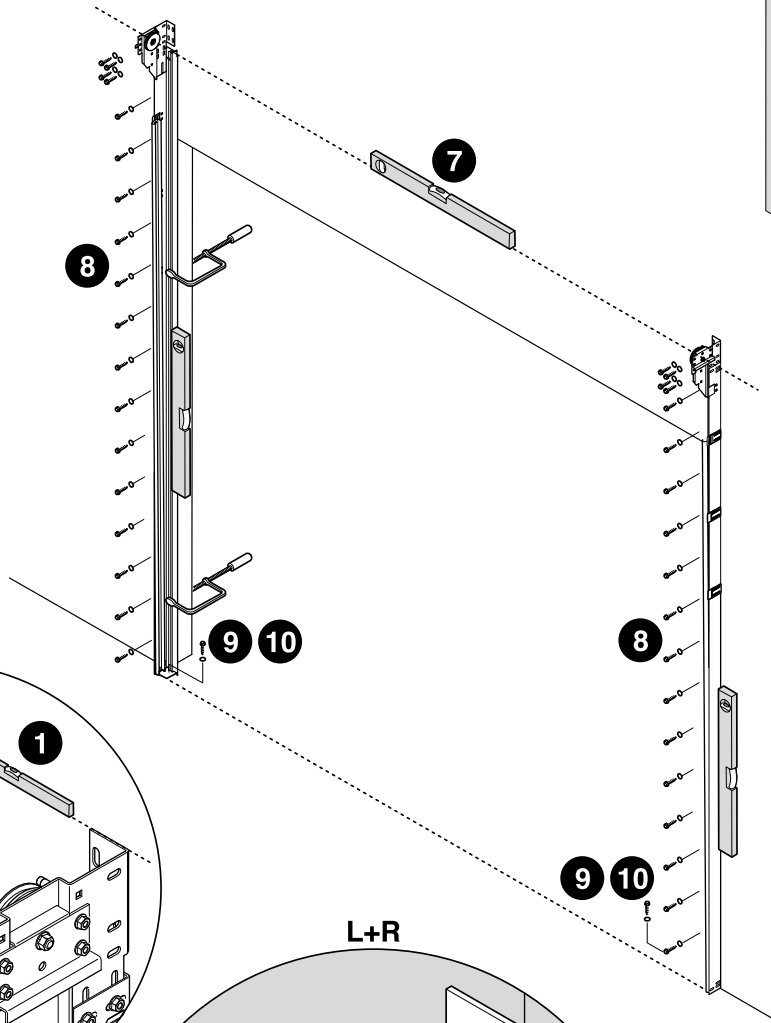
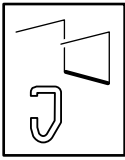
L+R

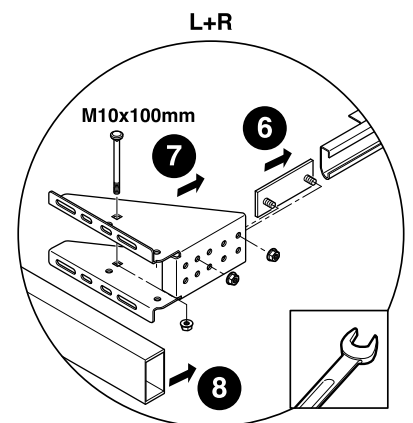
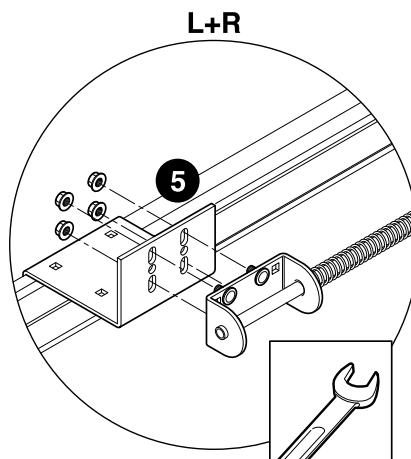
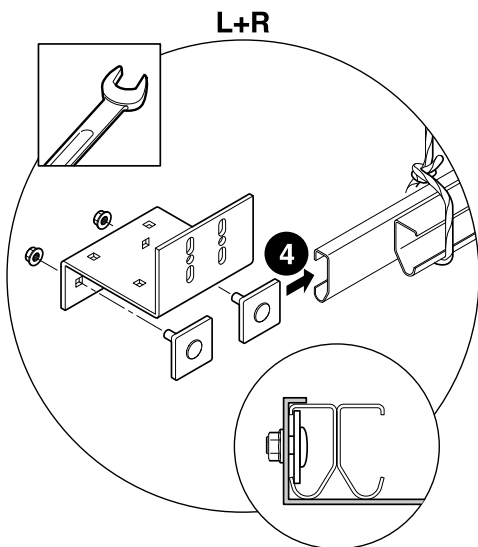
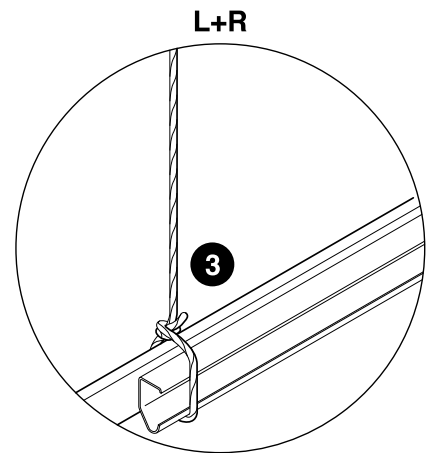
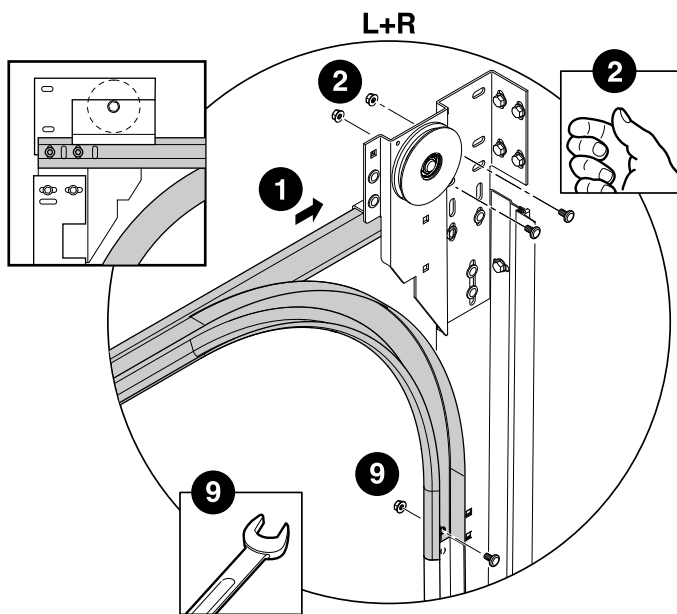
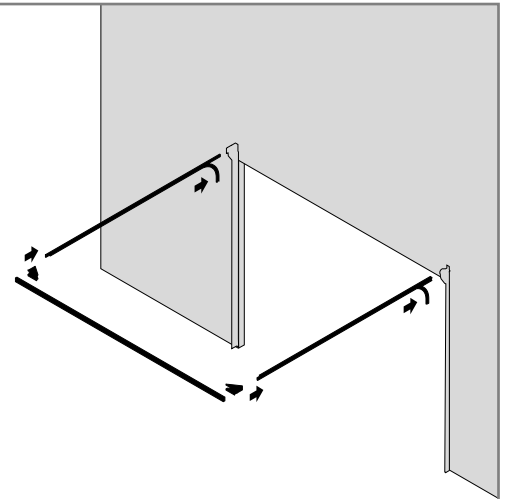
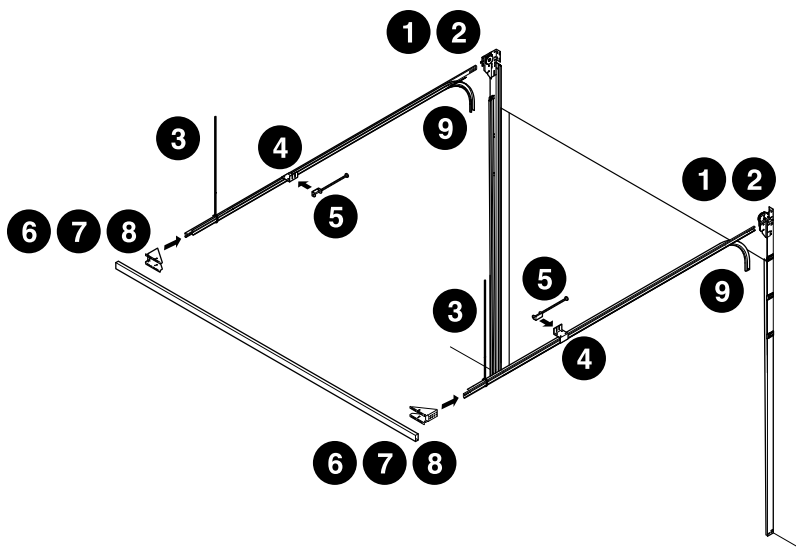
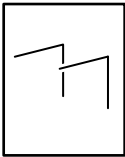


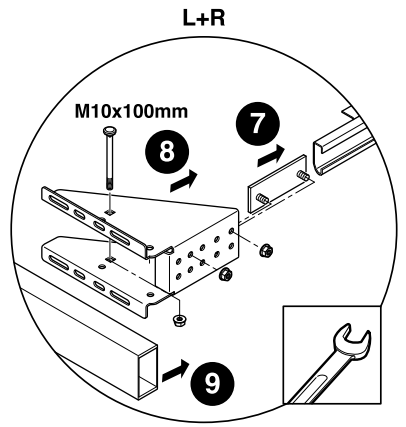
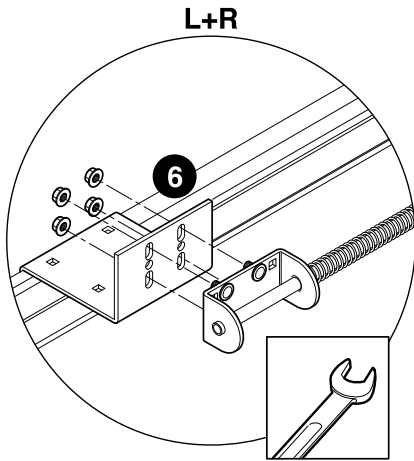
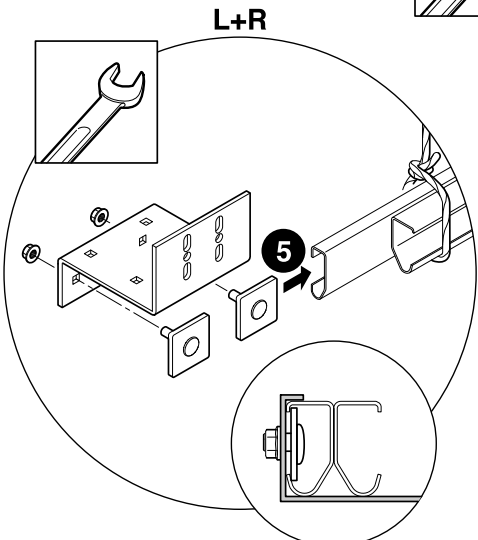
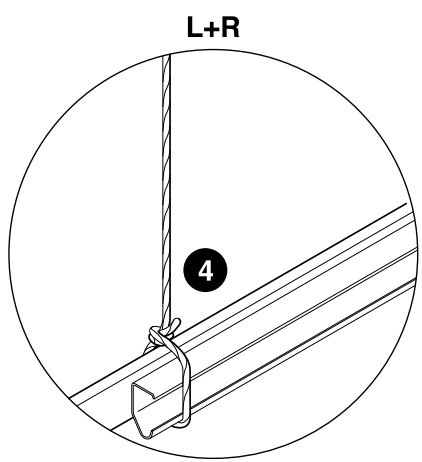
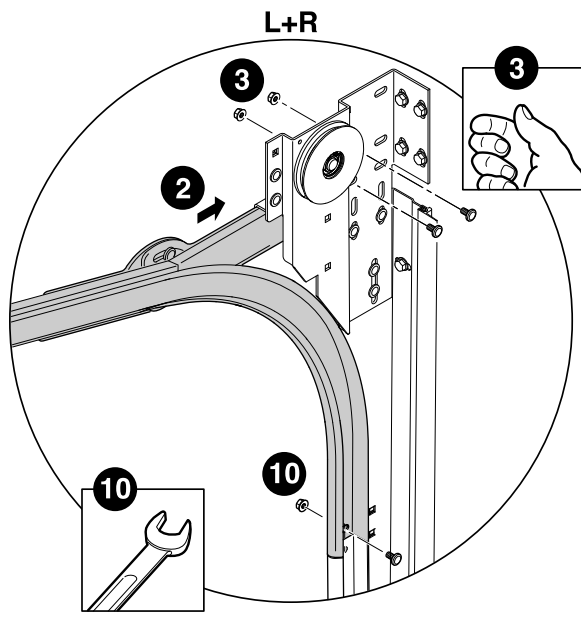
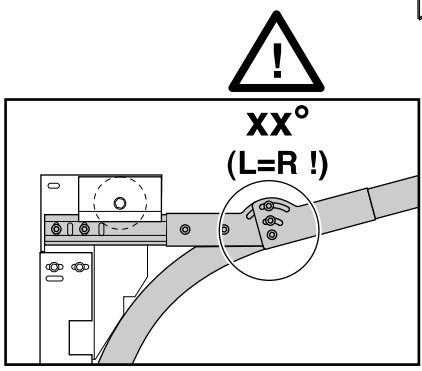
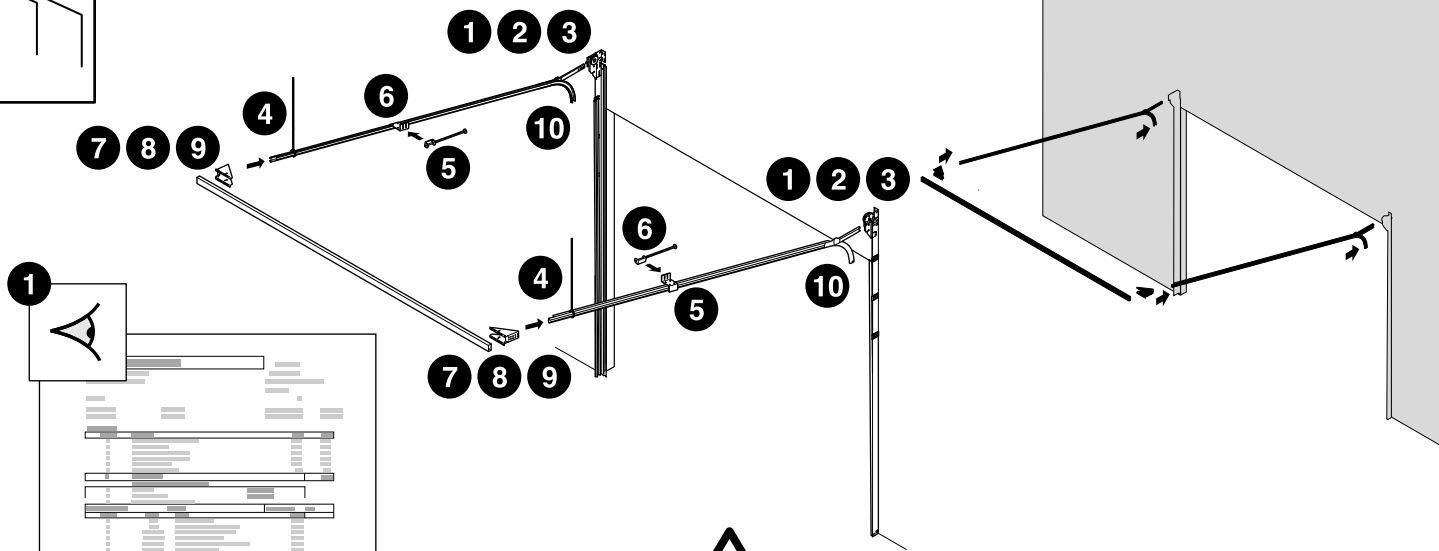
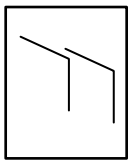
L+R

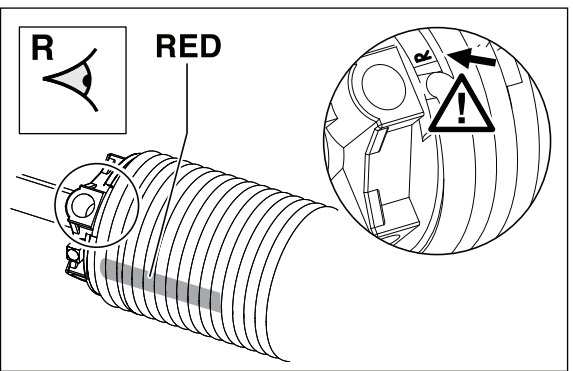
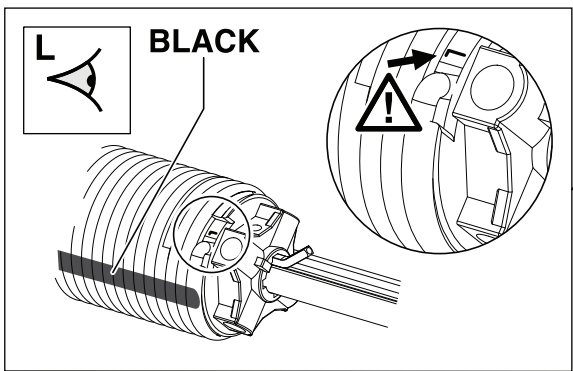
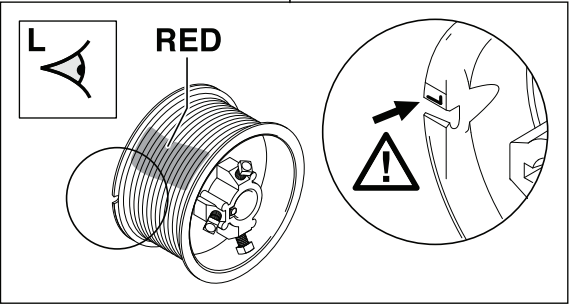
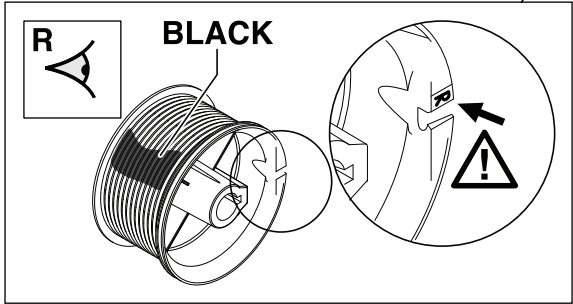
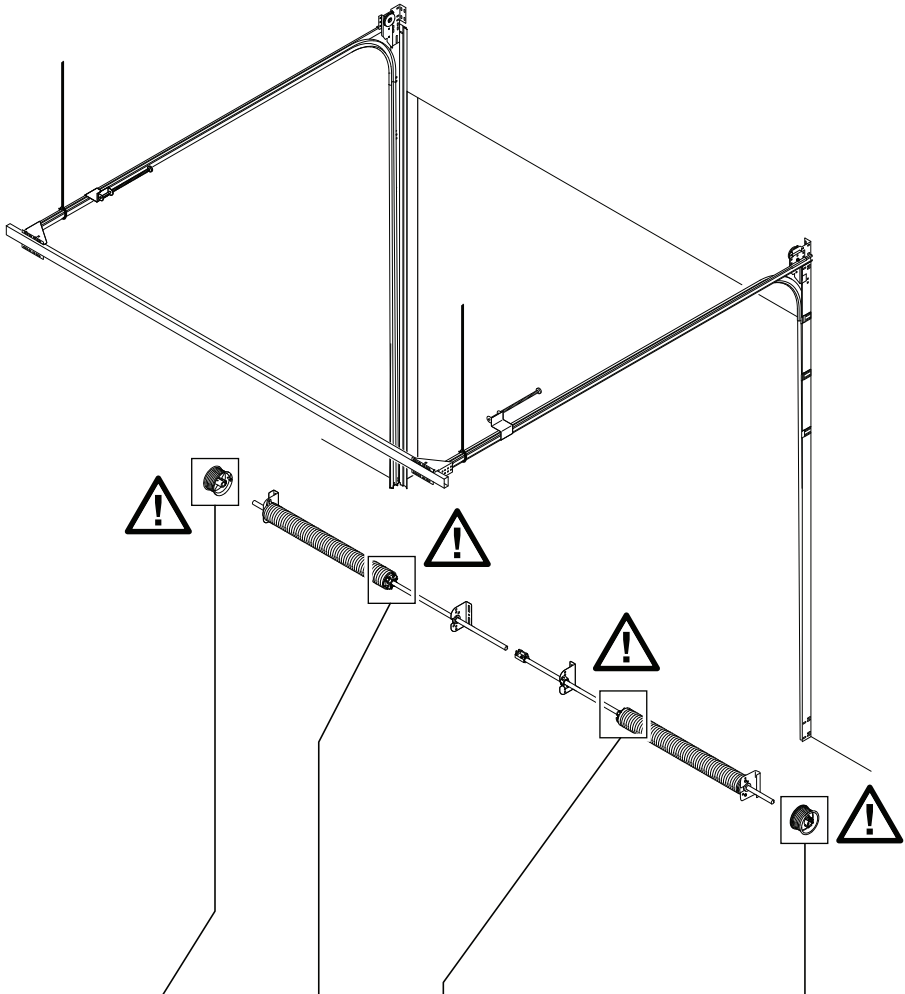
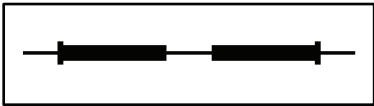




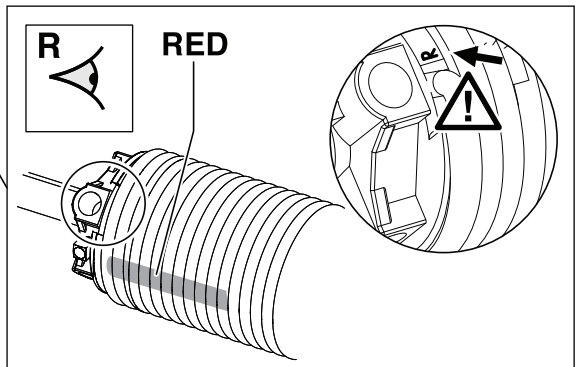
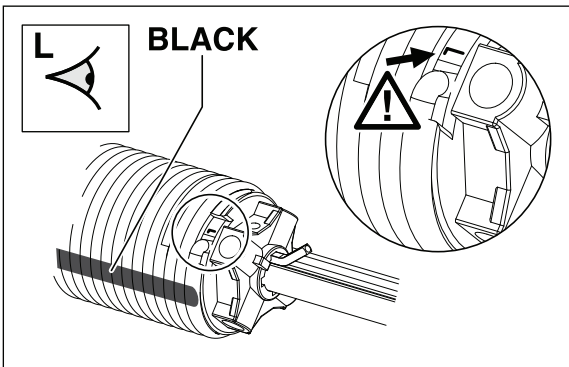
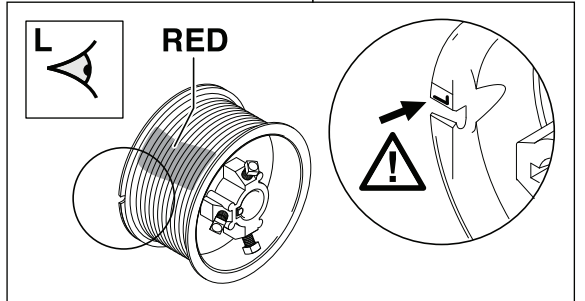
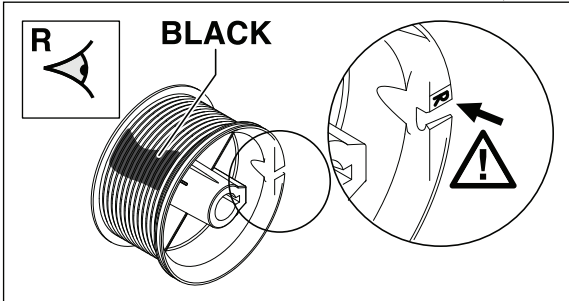
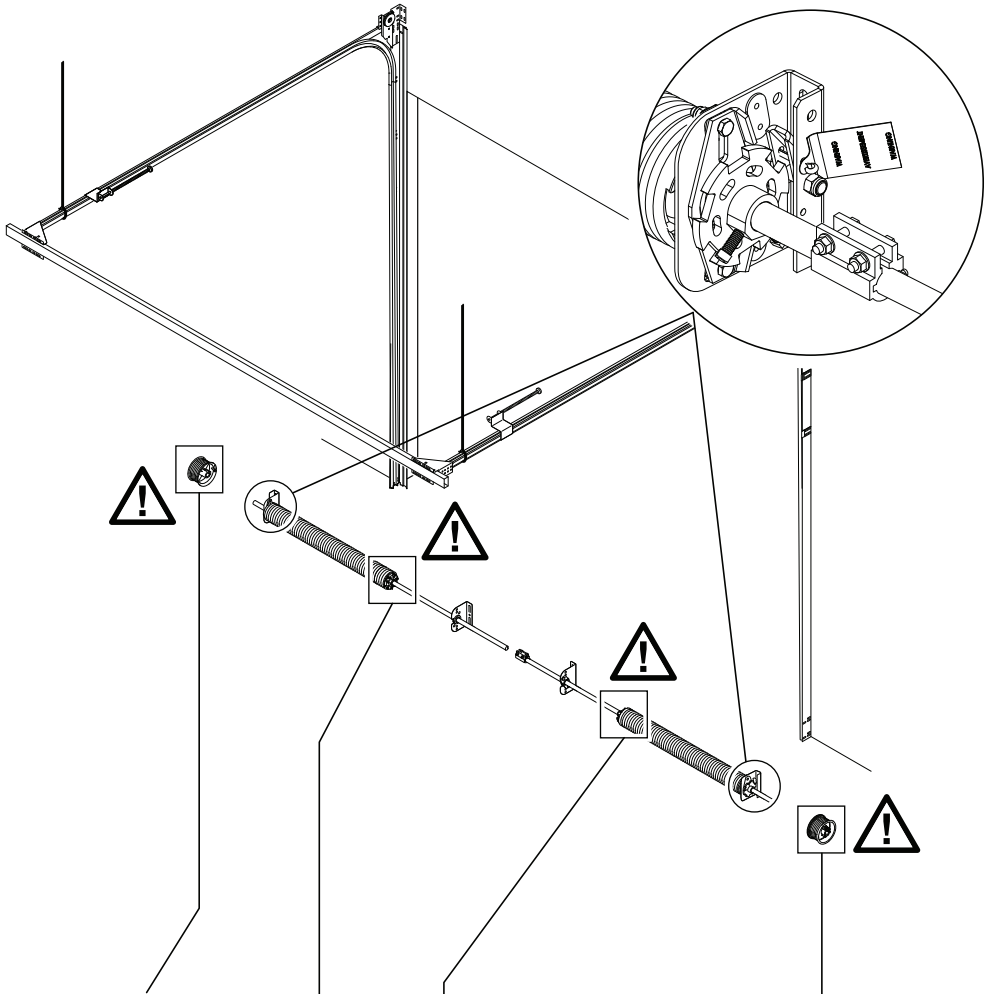
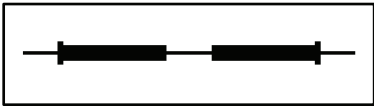


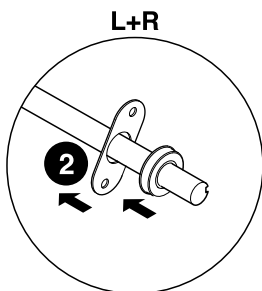
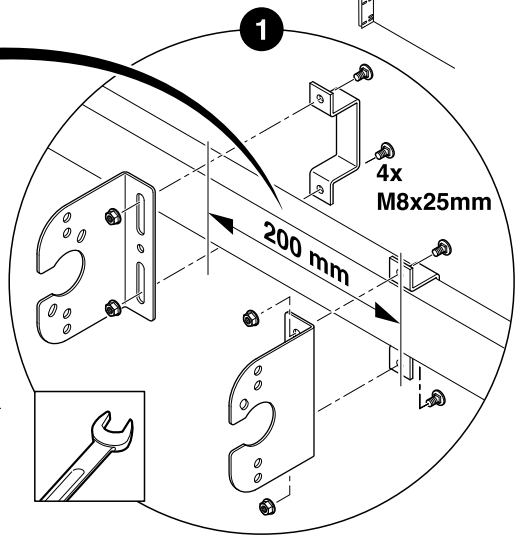
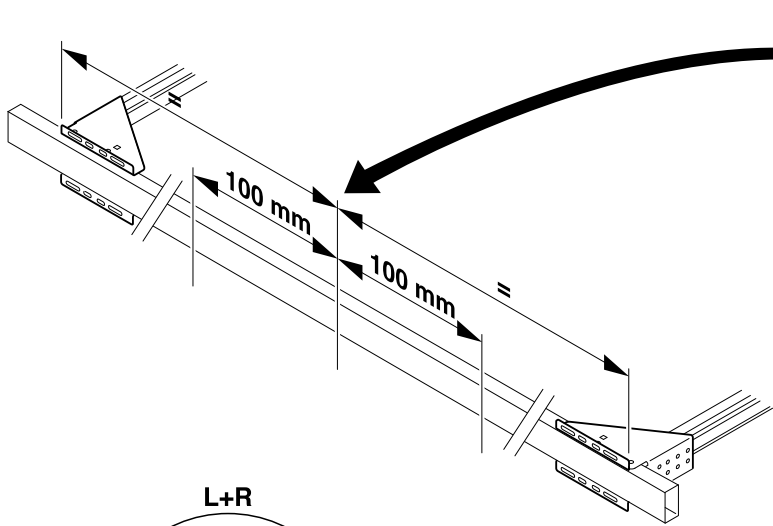
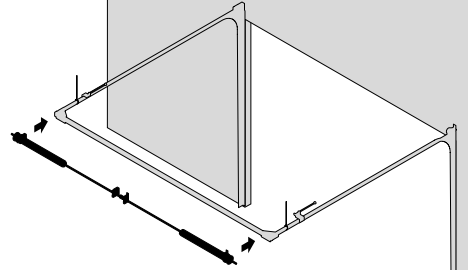
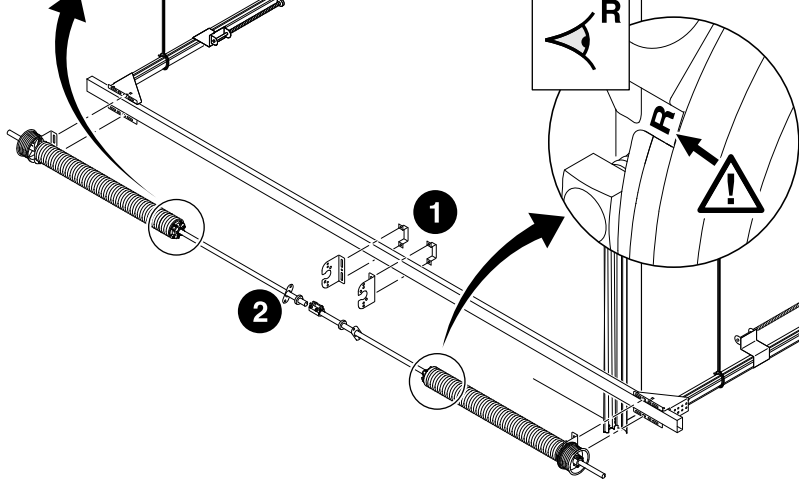
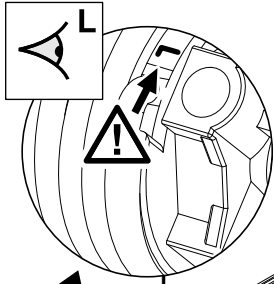


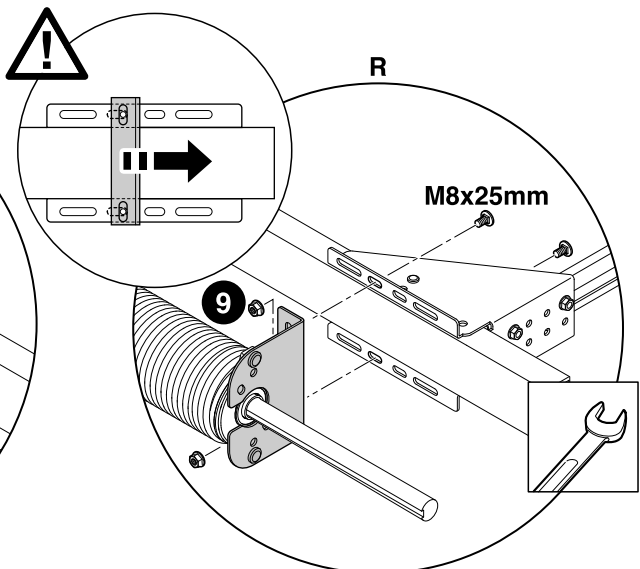
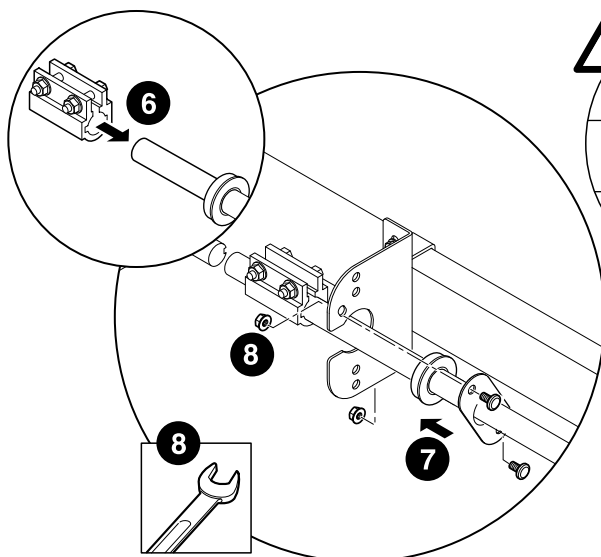
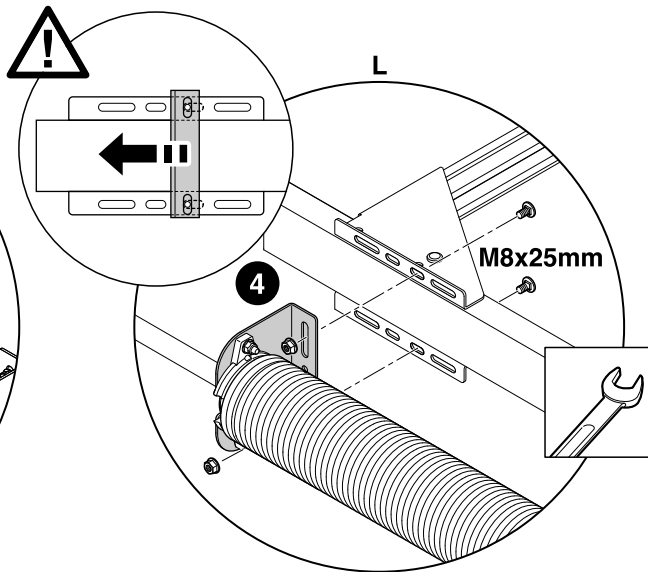
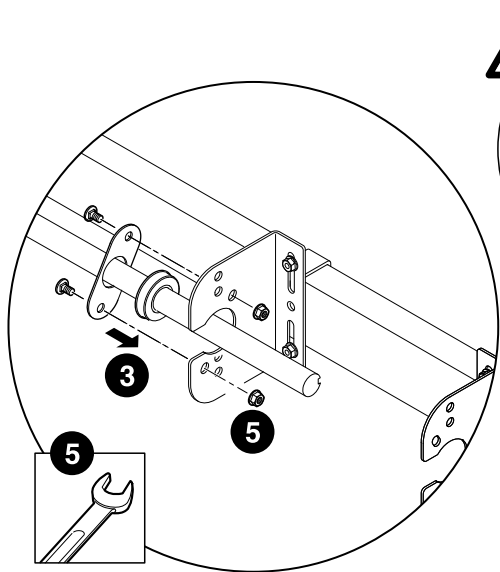
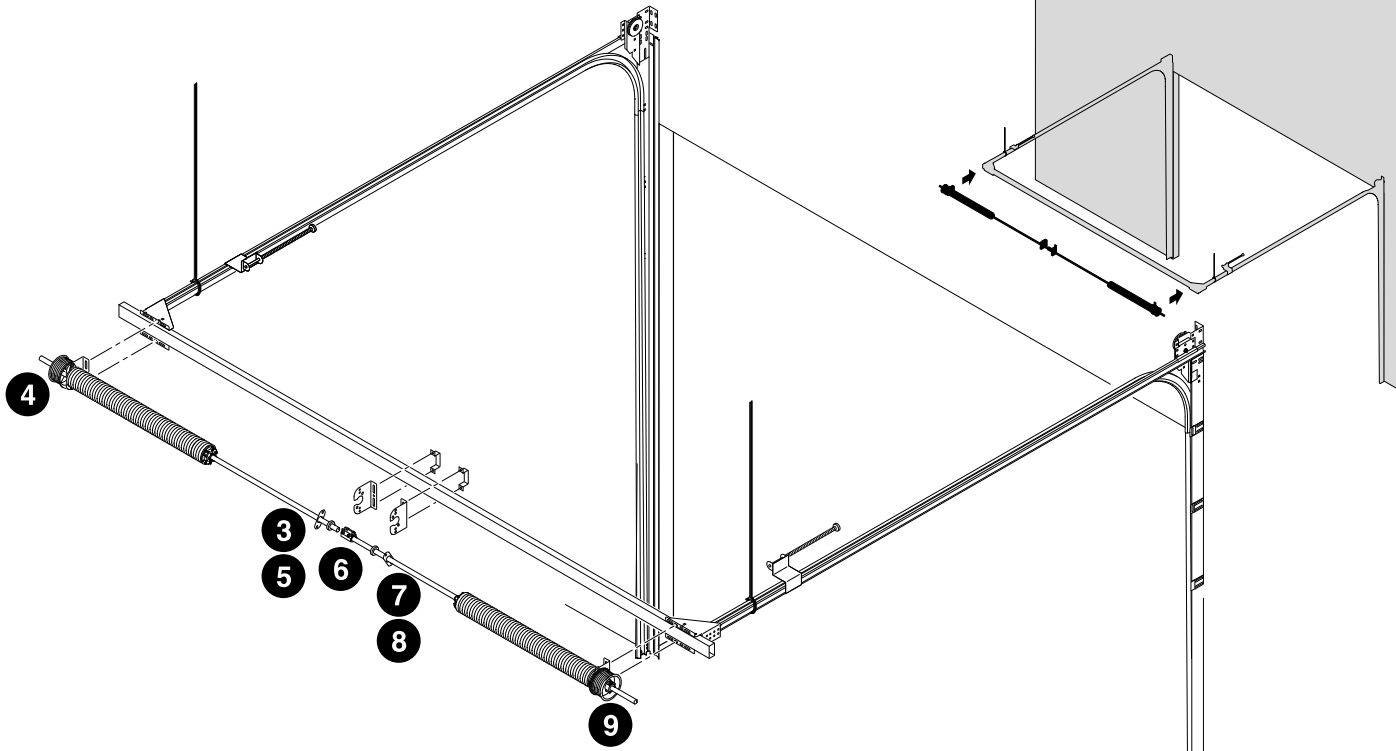
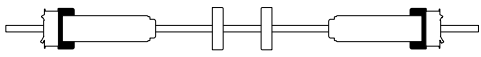


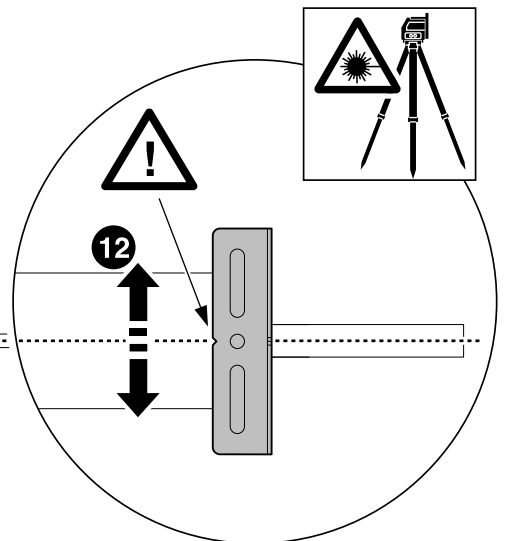
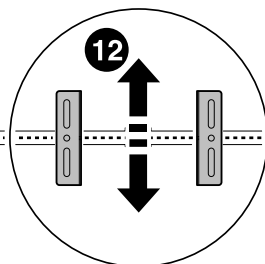
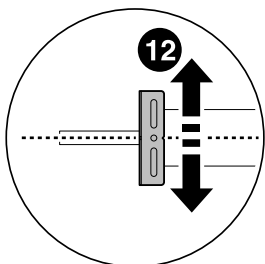
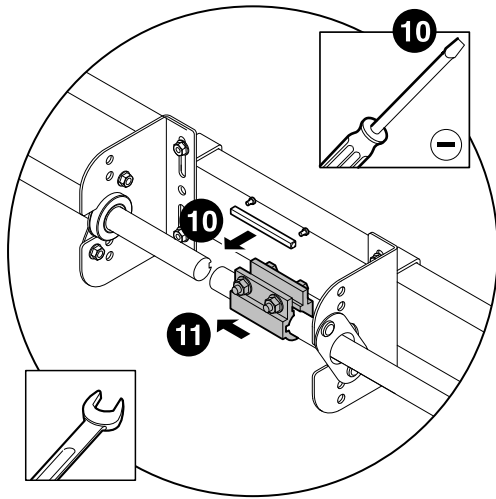
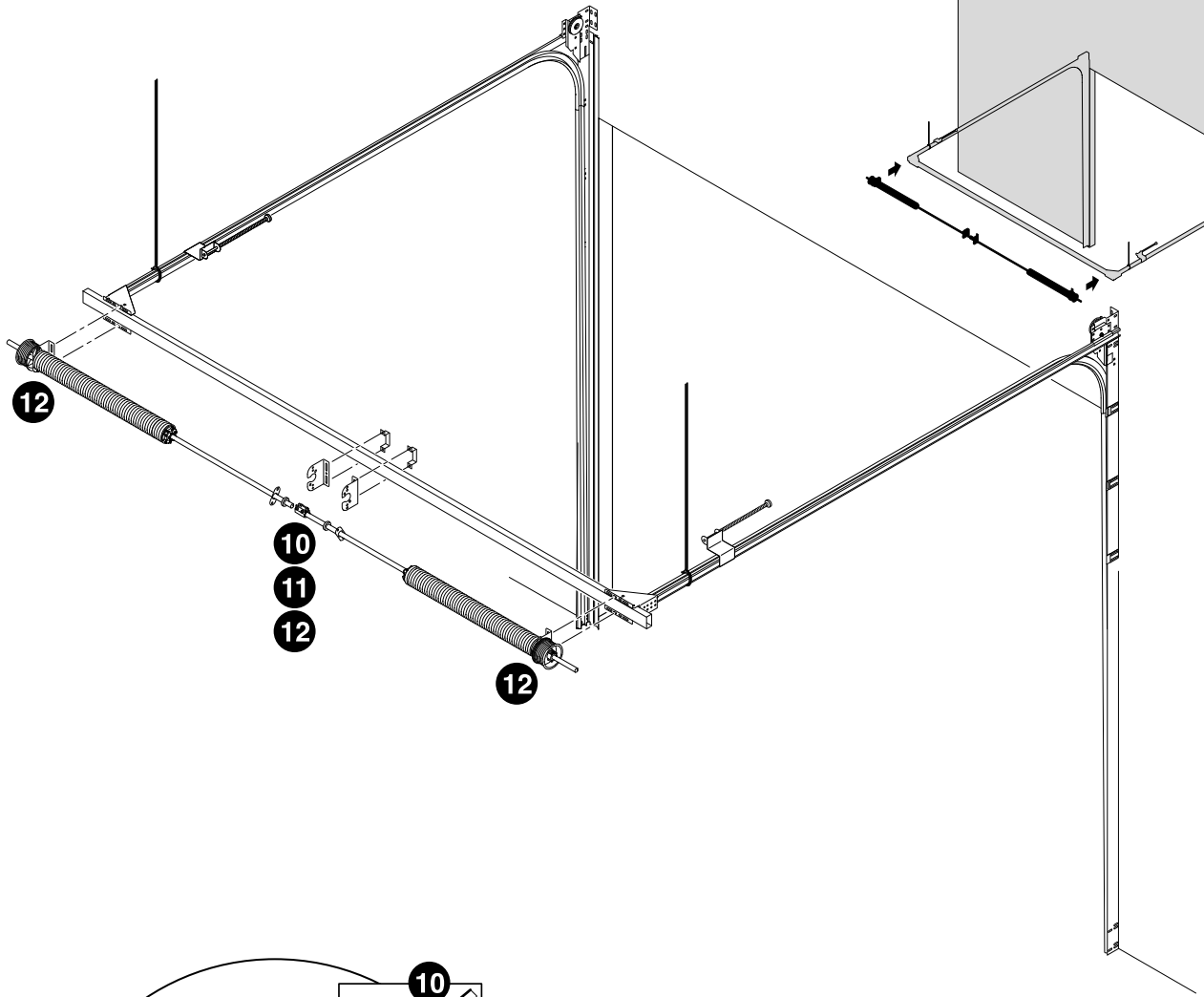


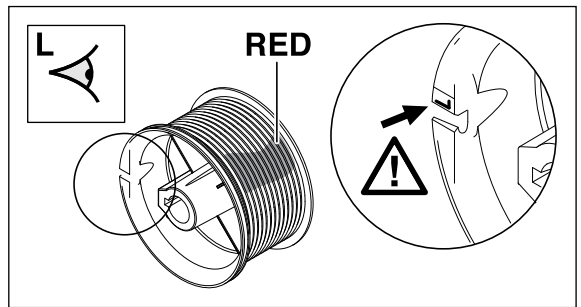
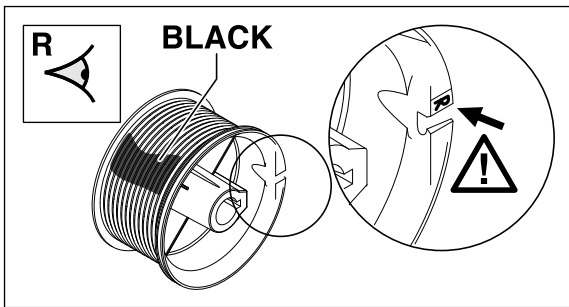
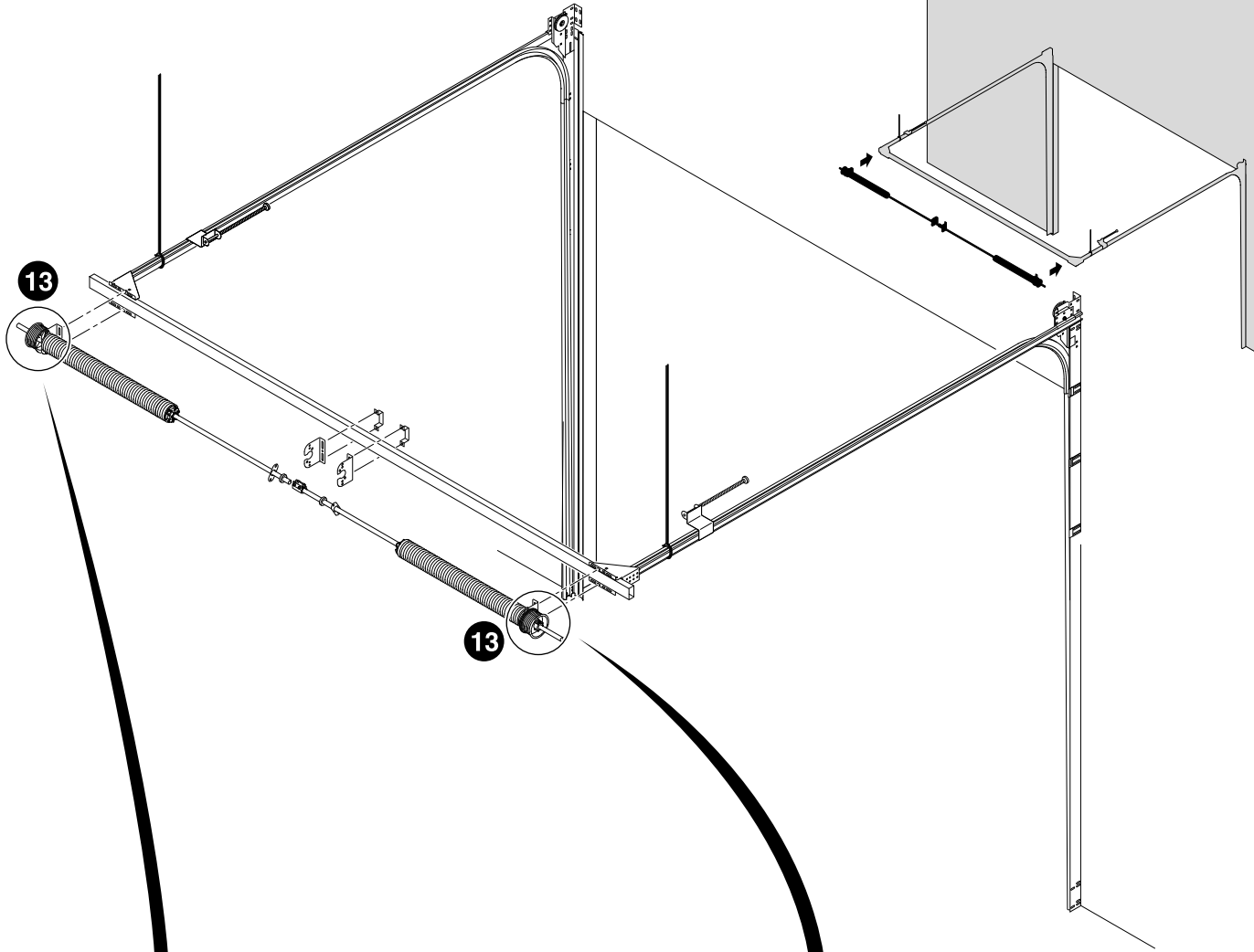
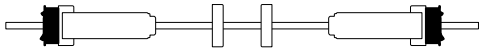




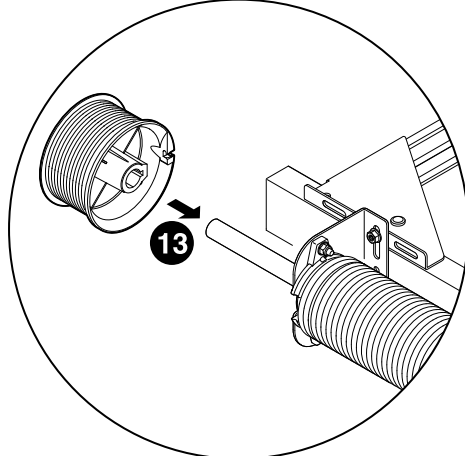


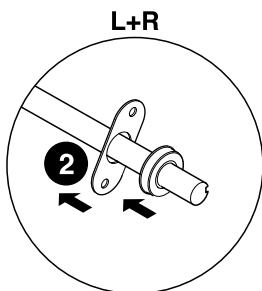
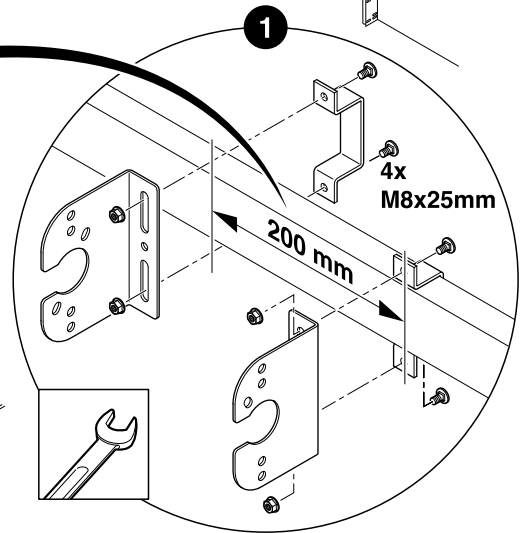
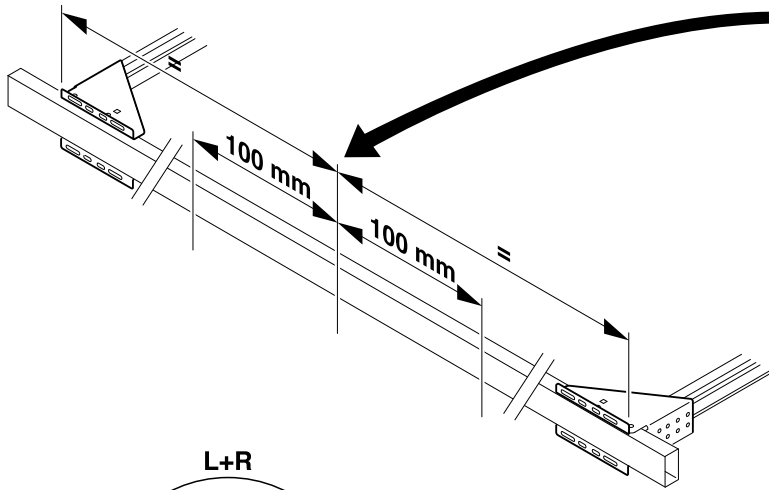
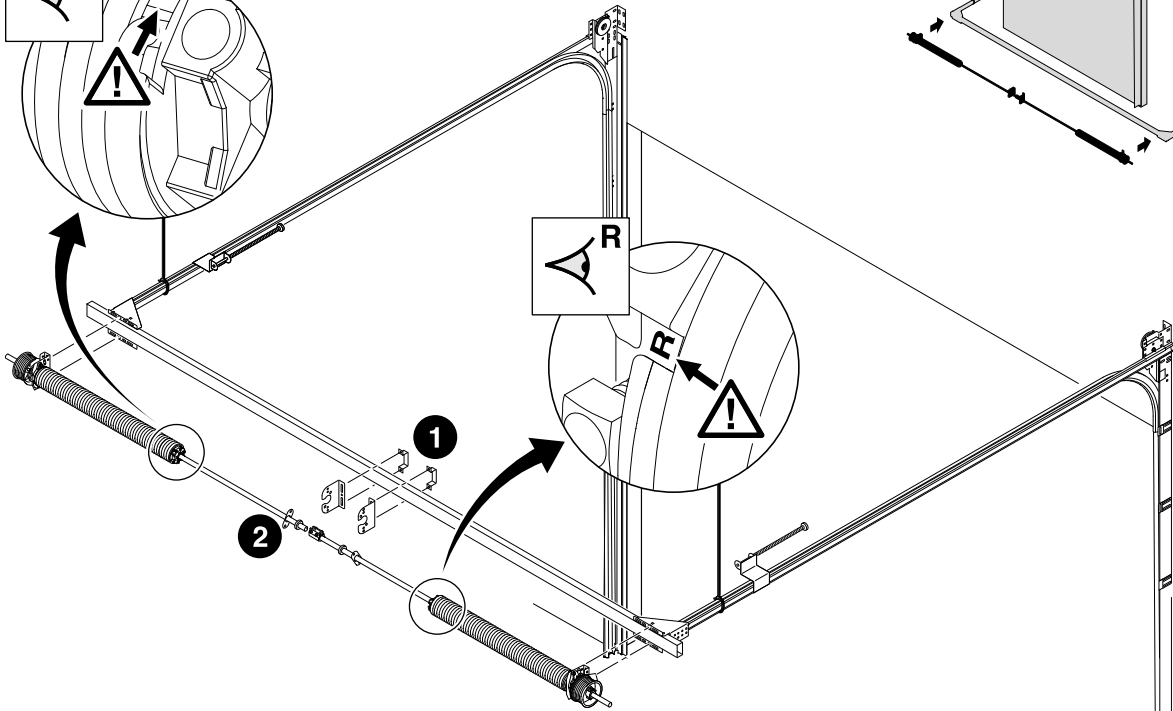
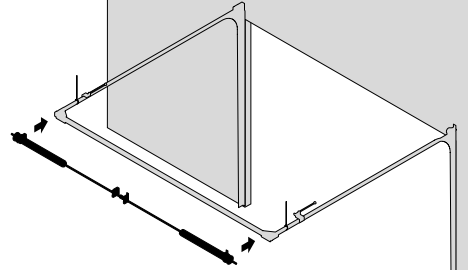
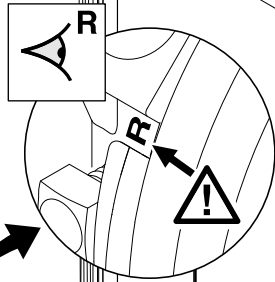
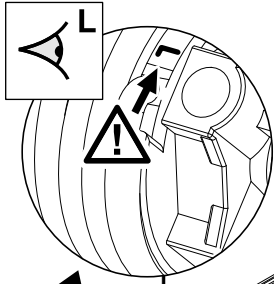


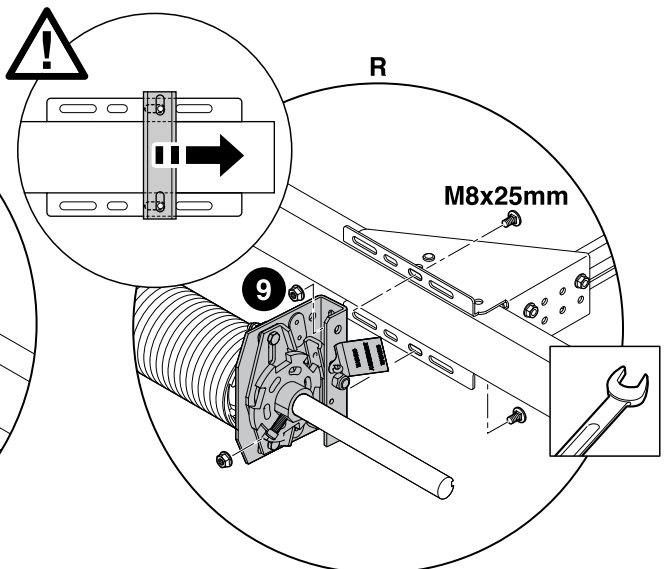
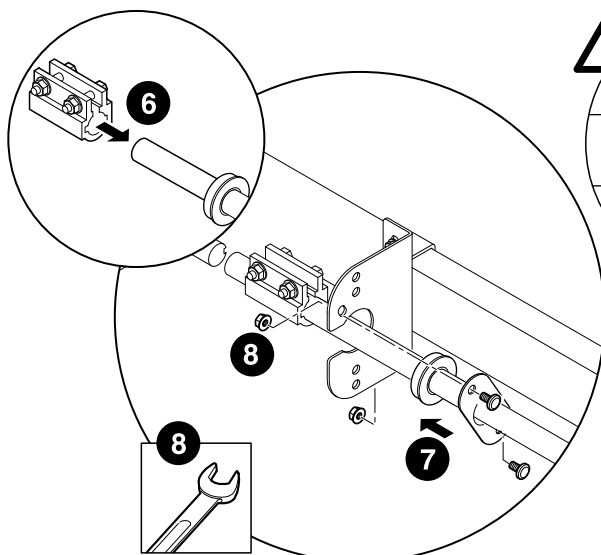
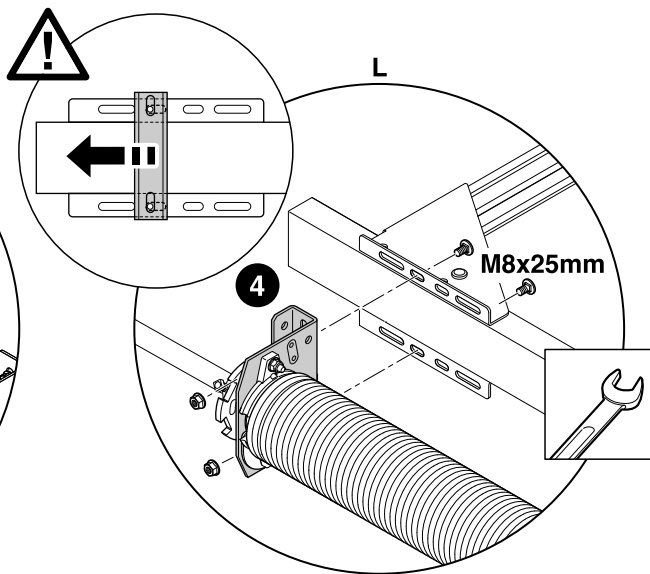
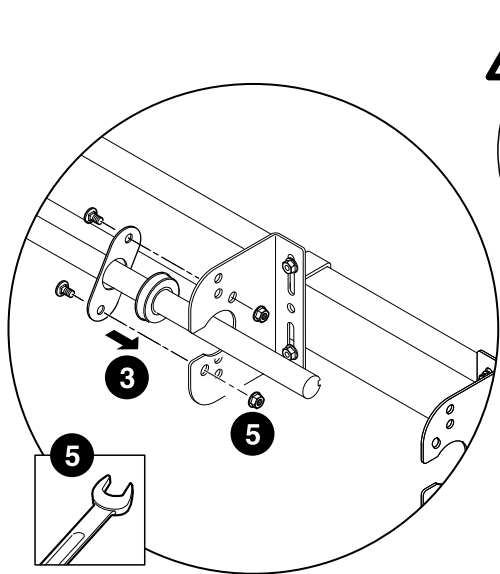
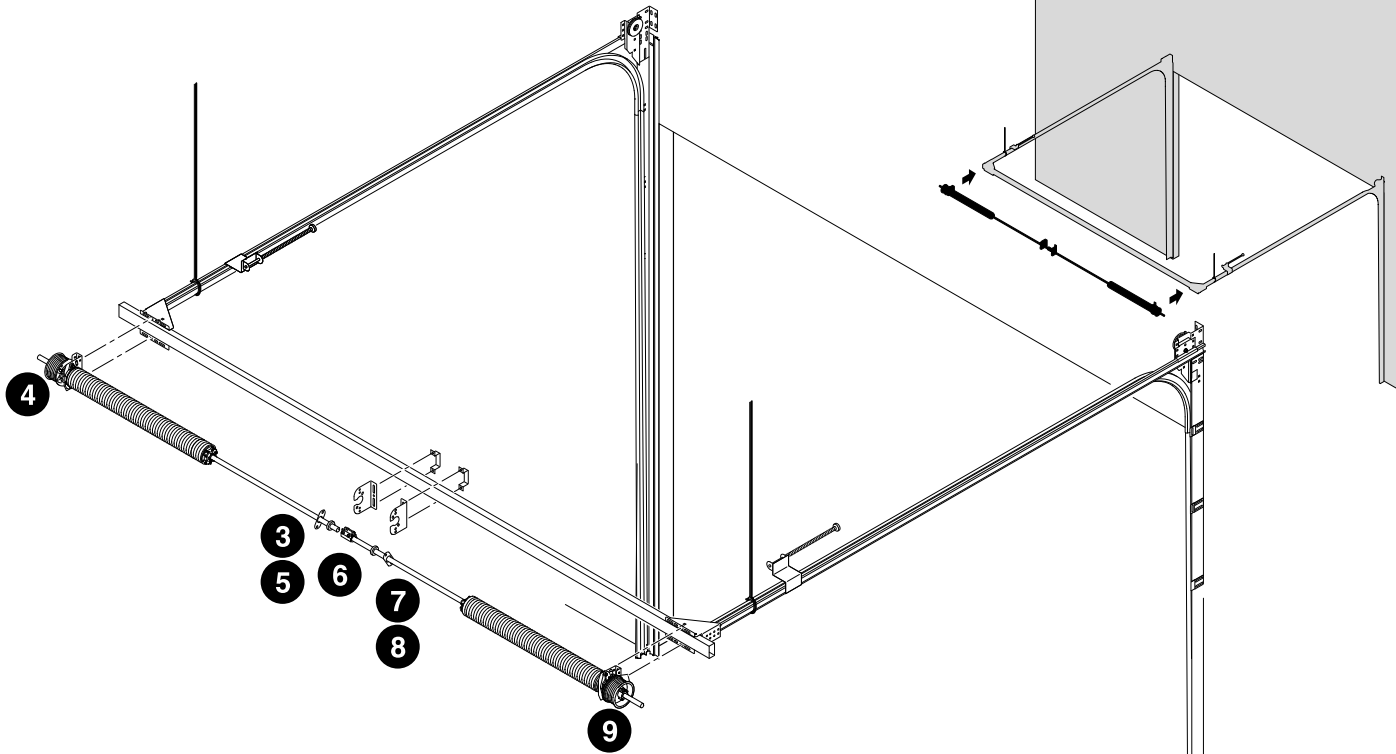
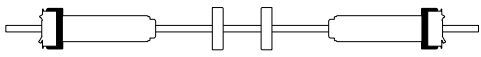


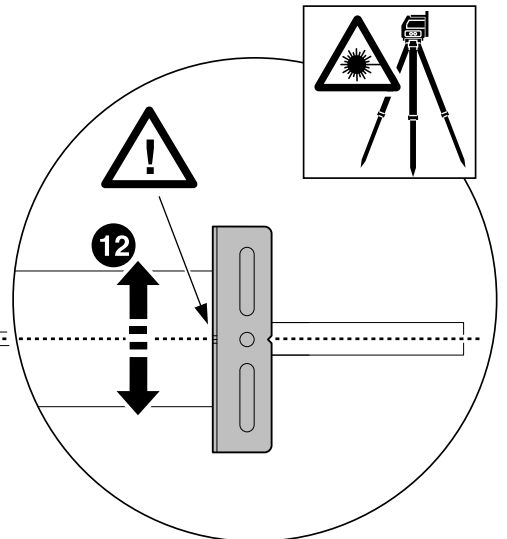
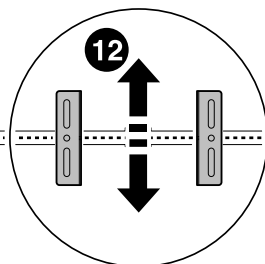
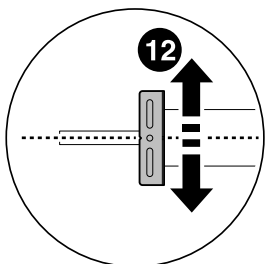
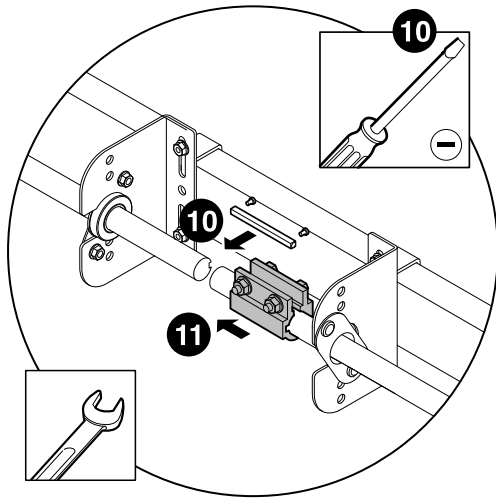
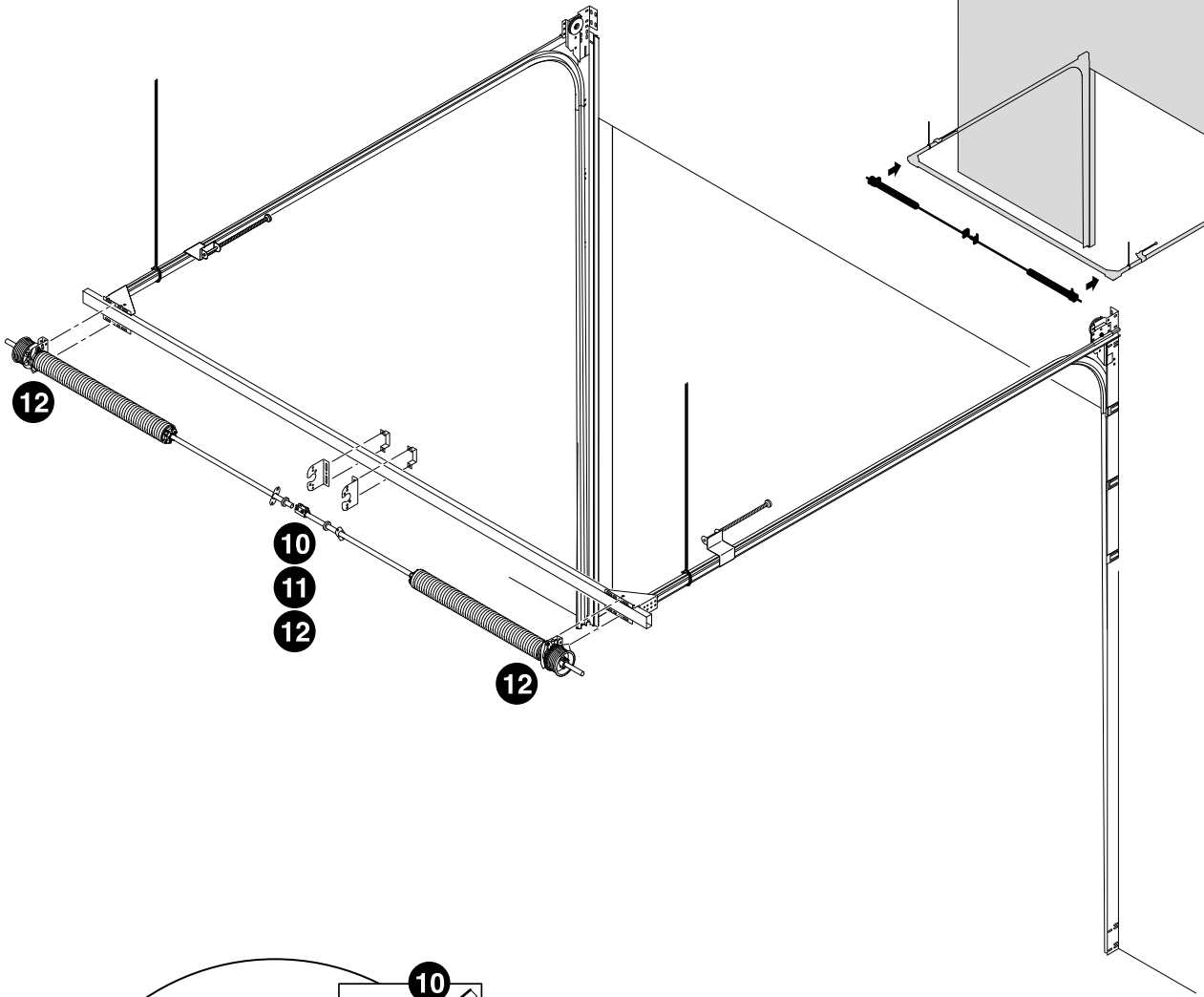


**L+R**

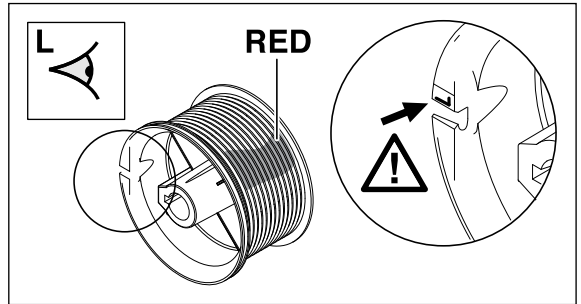
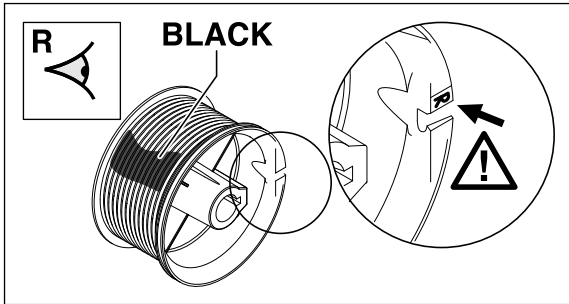
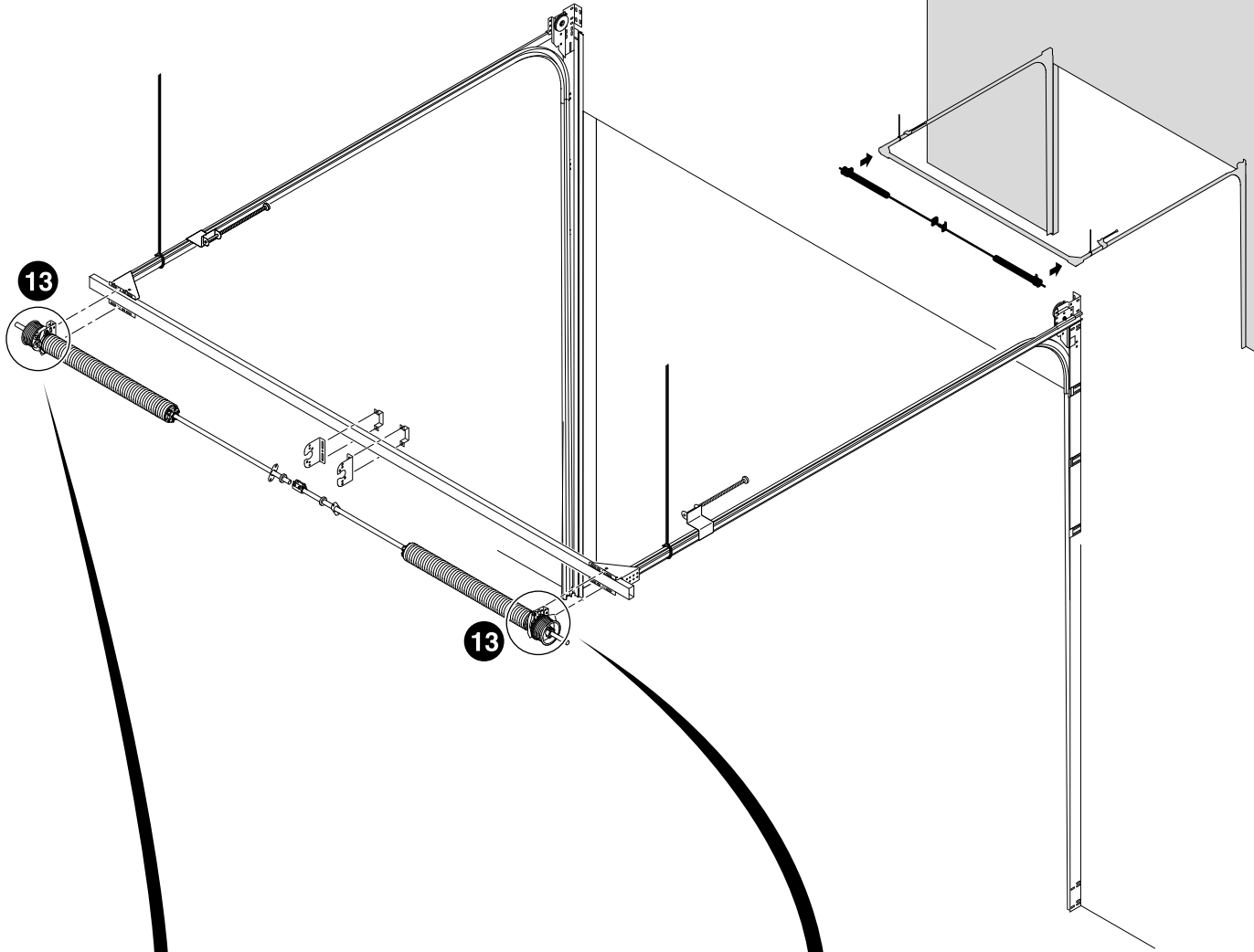
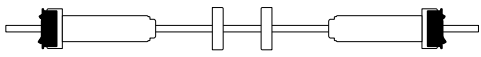




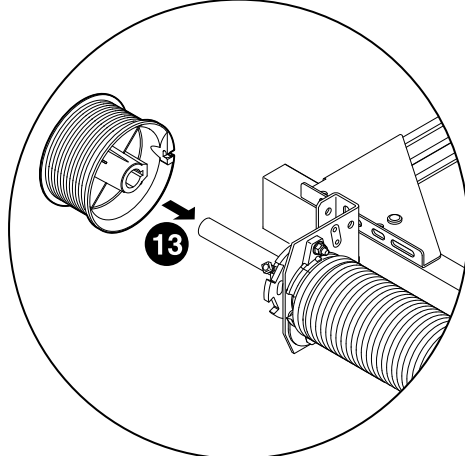


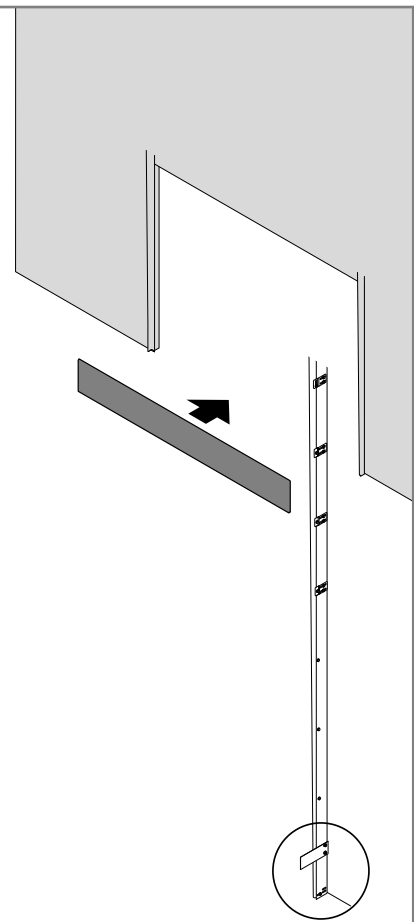
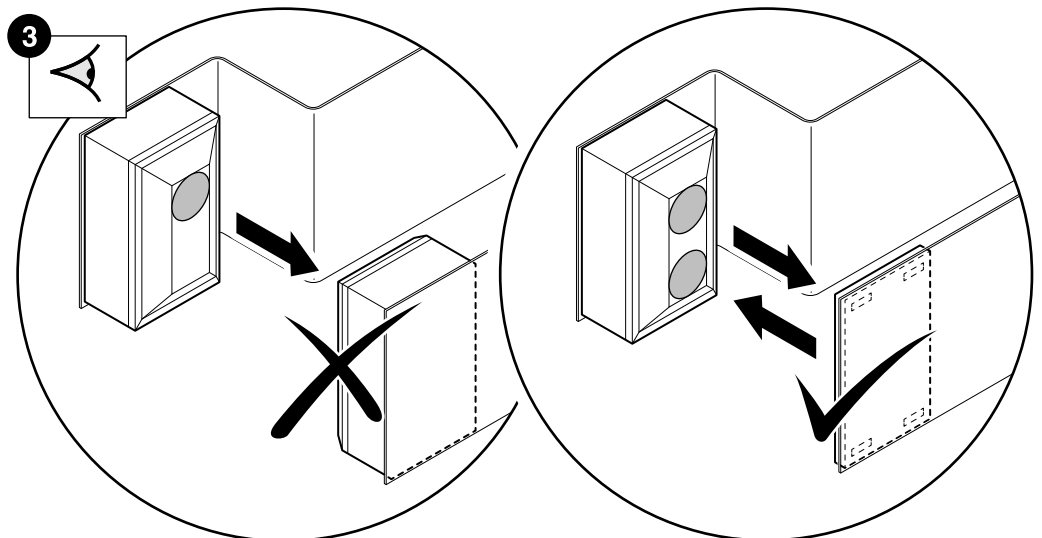
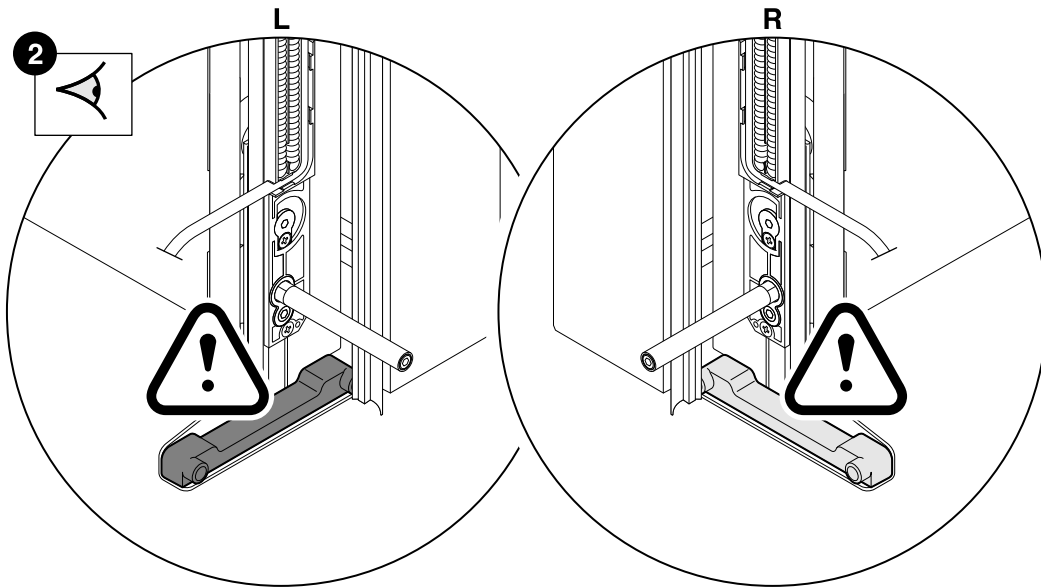
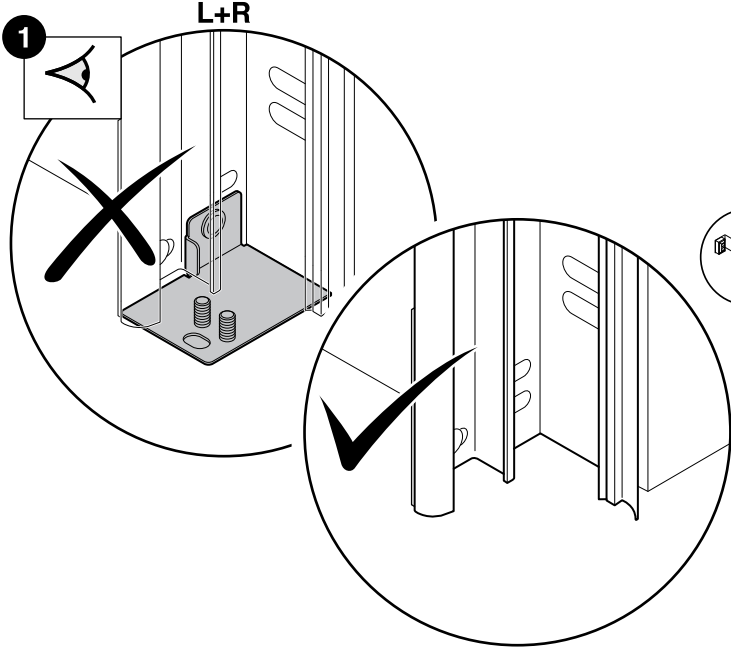
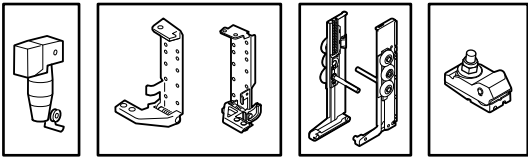


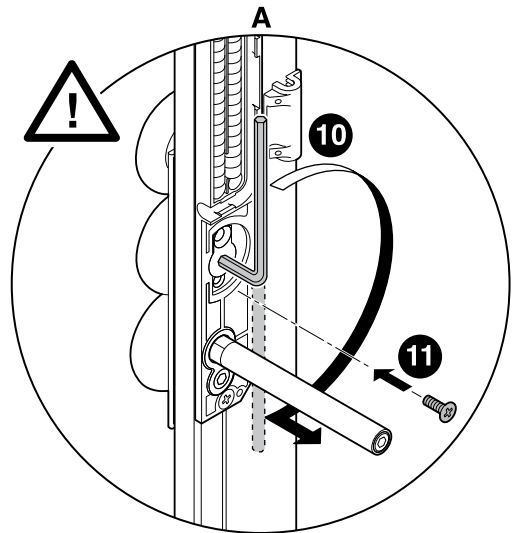
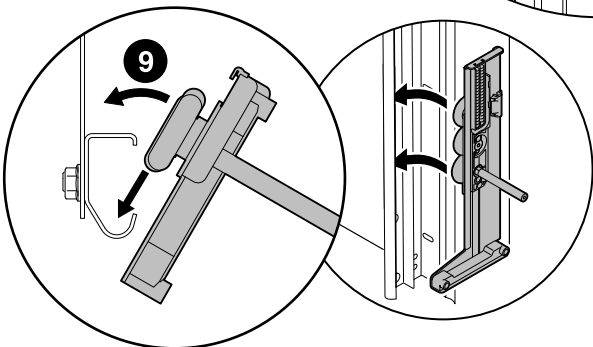
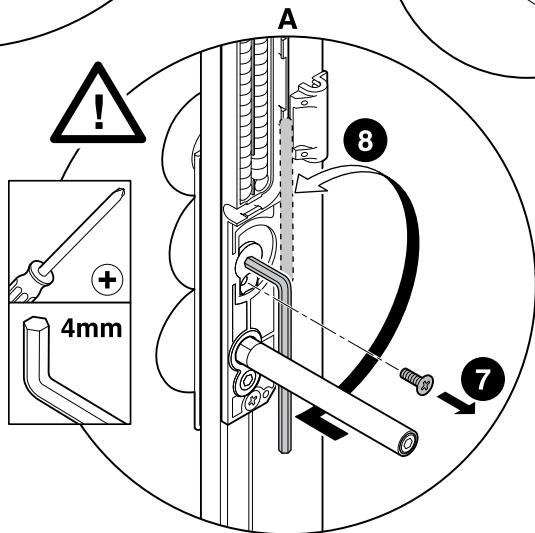
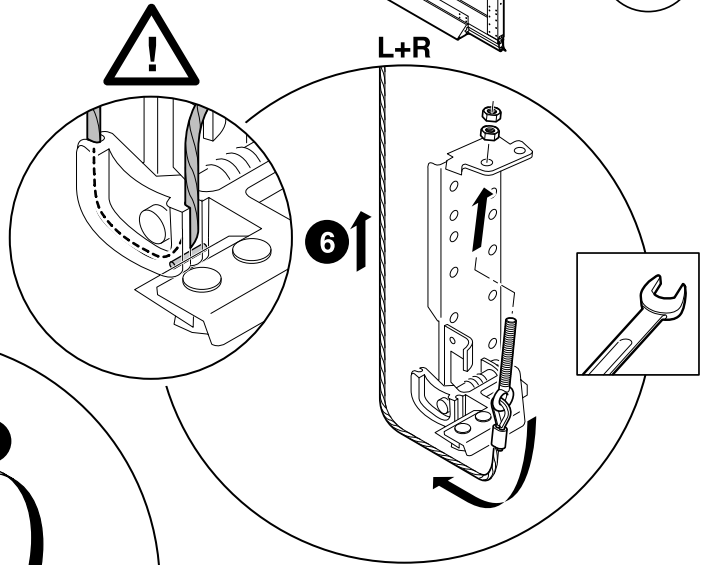
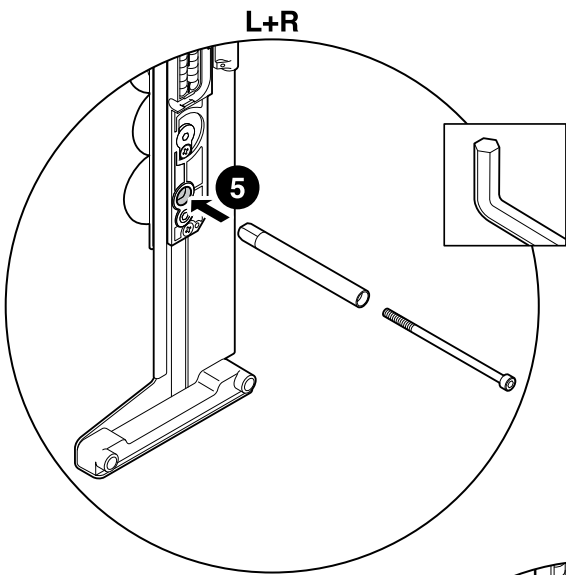
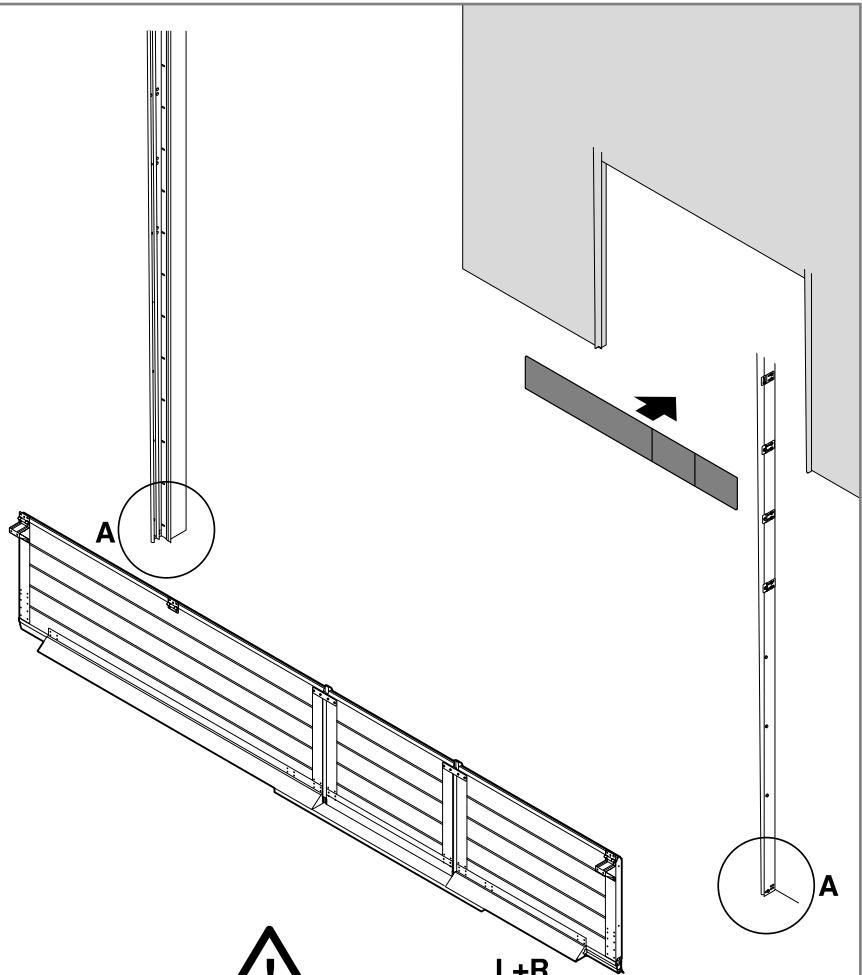
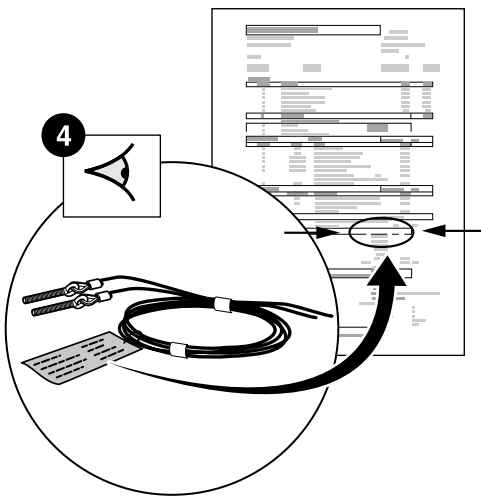
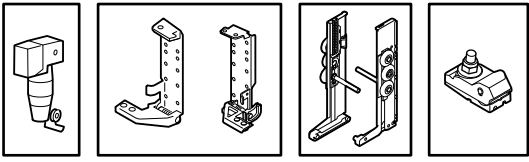


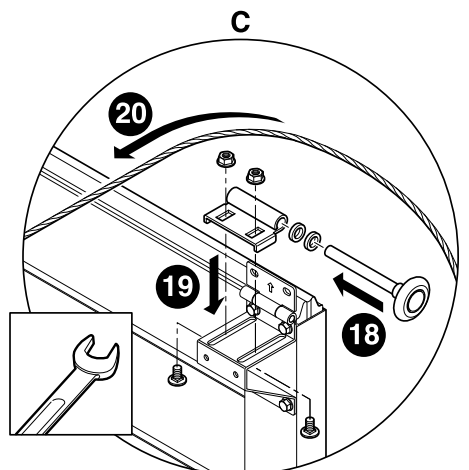
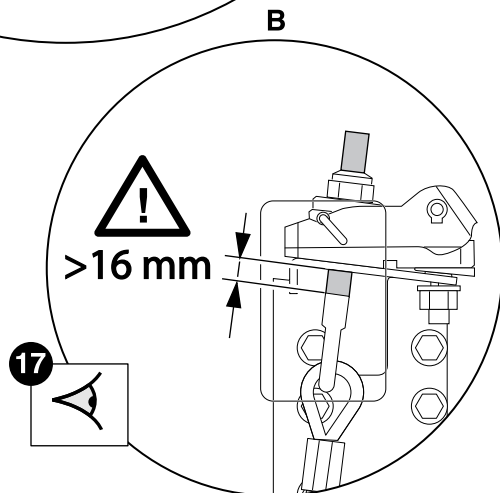
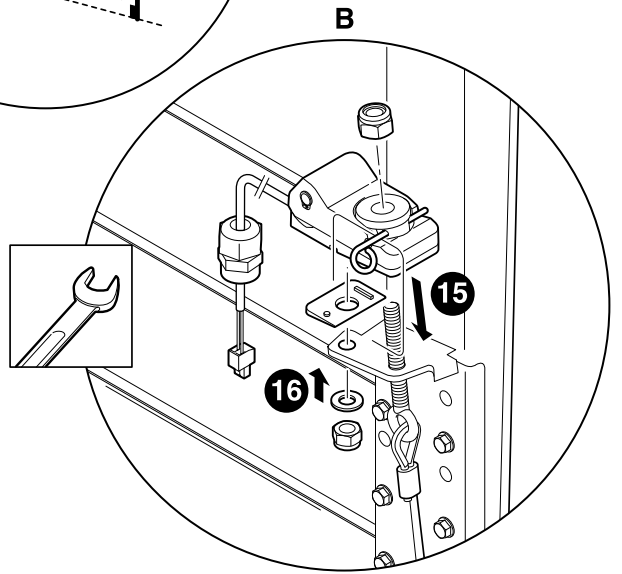
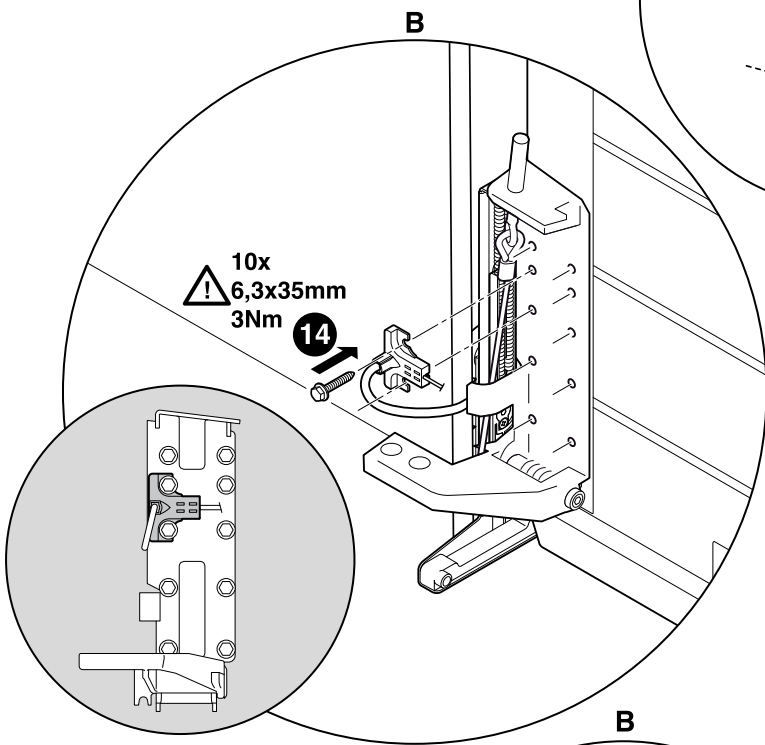
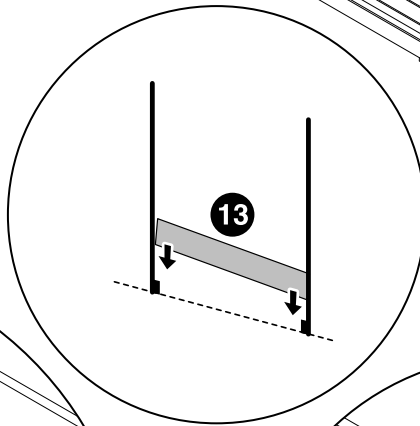
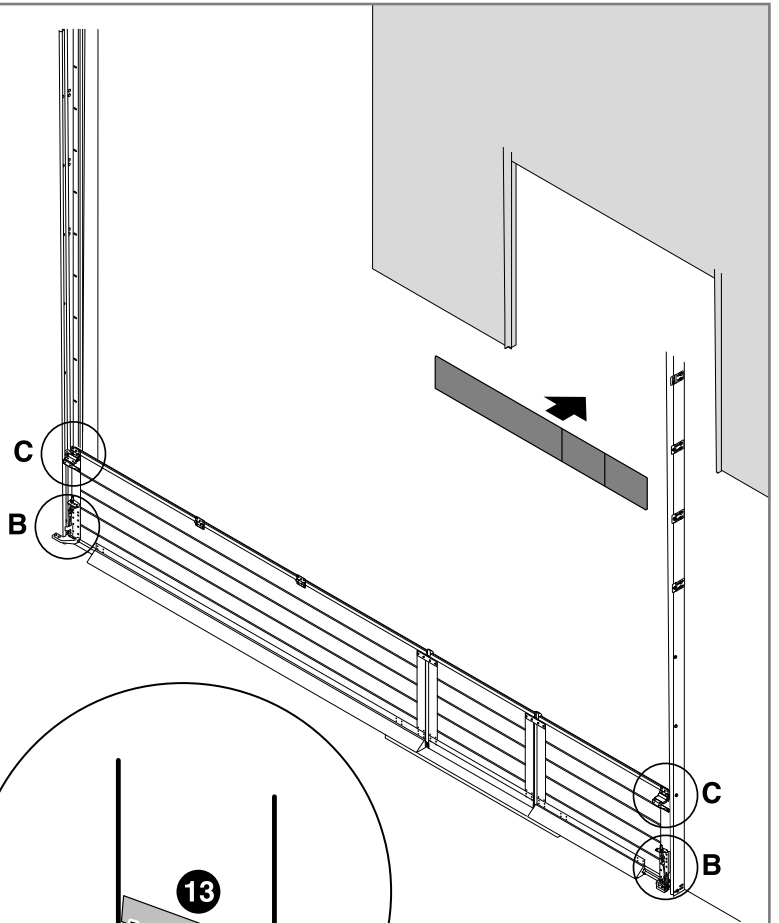
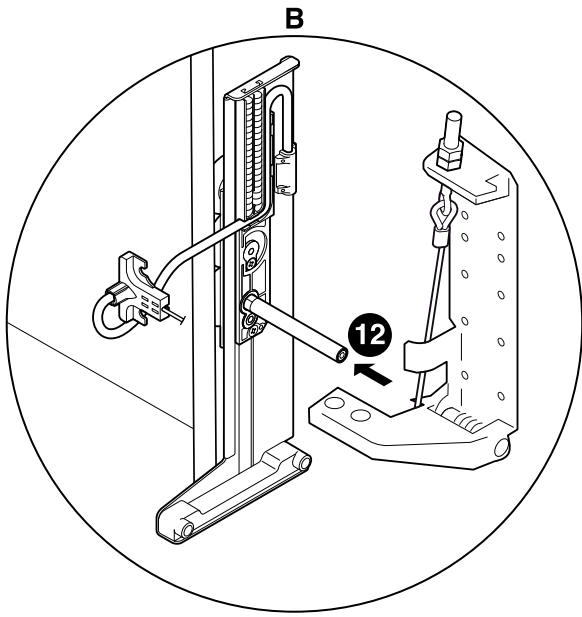
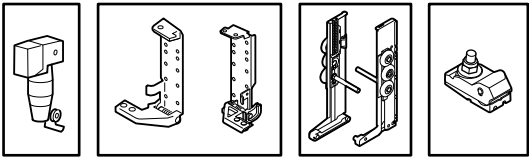


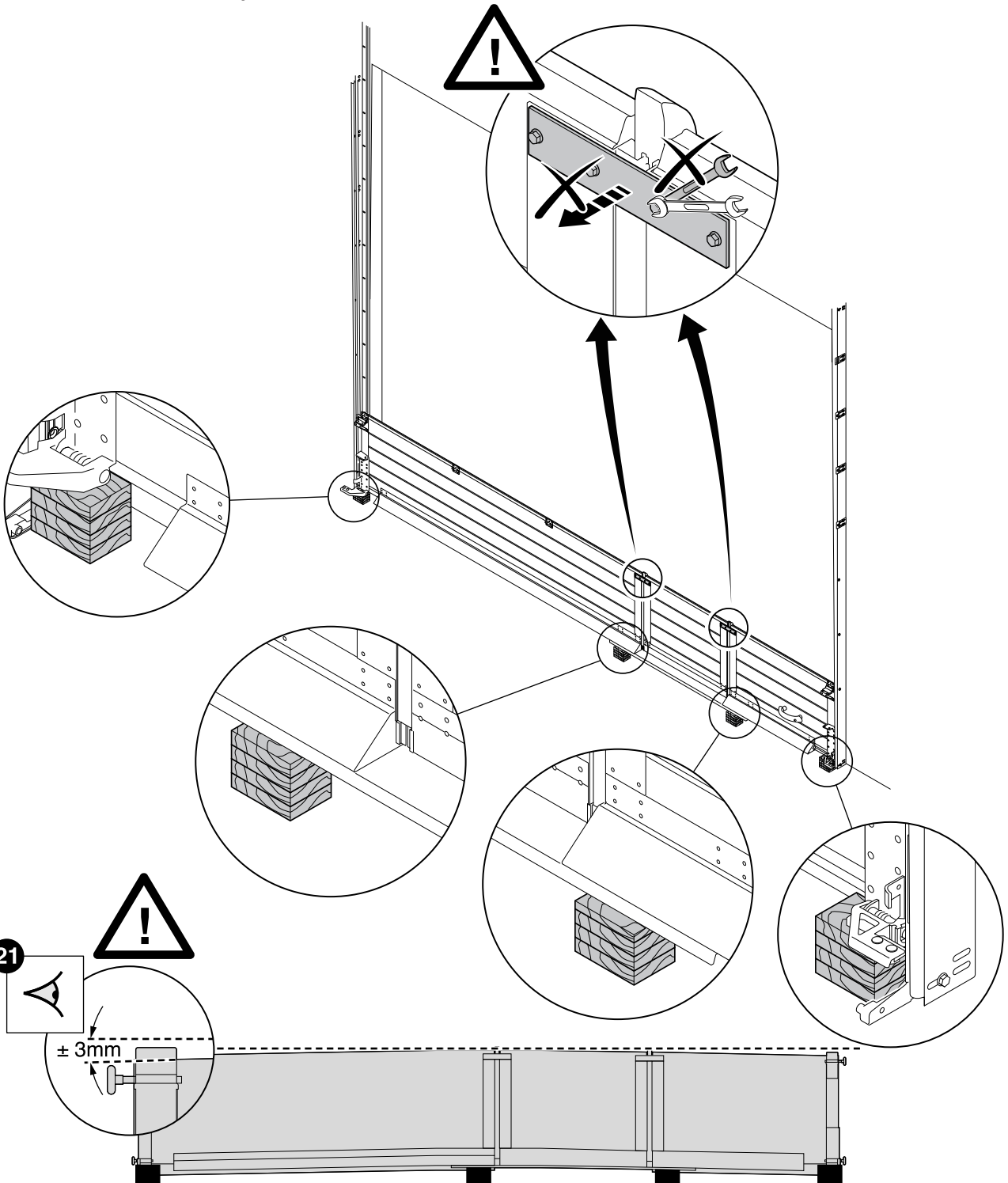
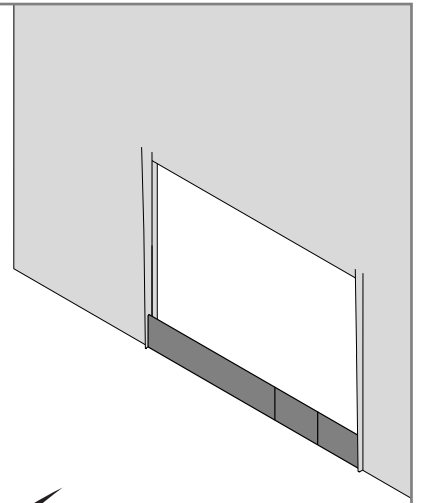
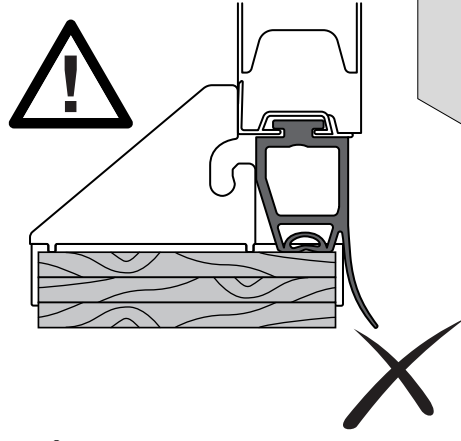
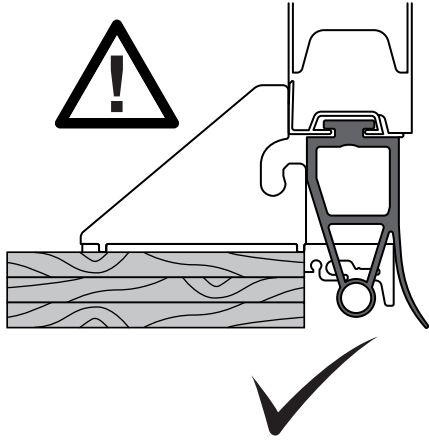
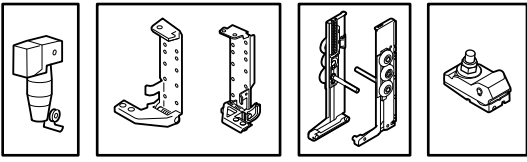
**L+R**







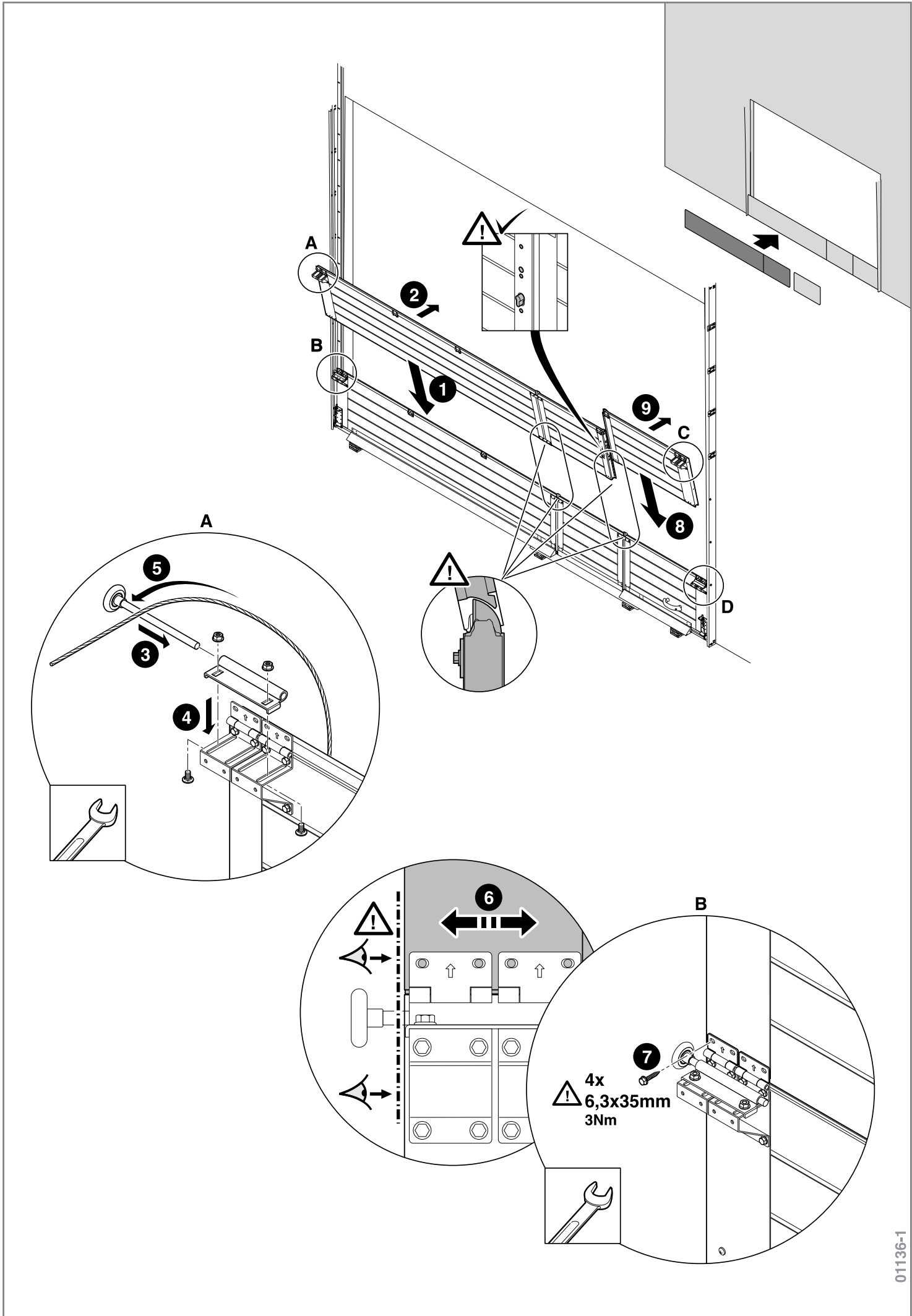


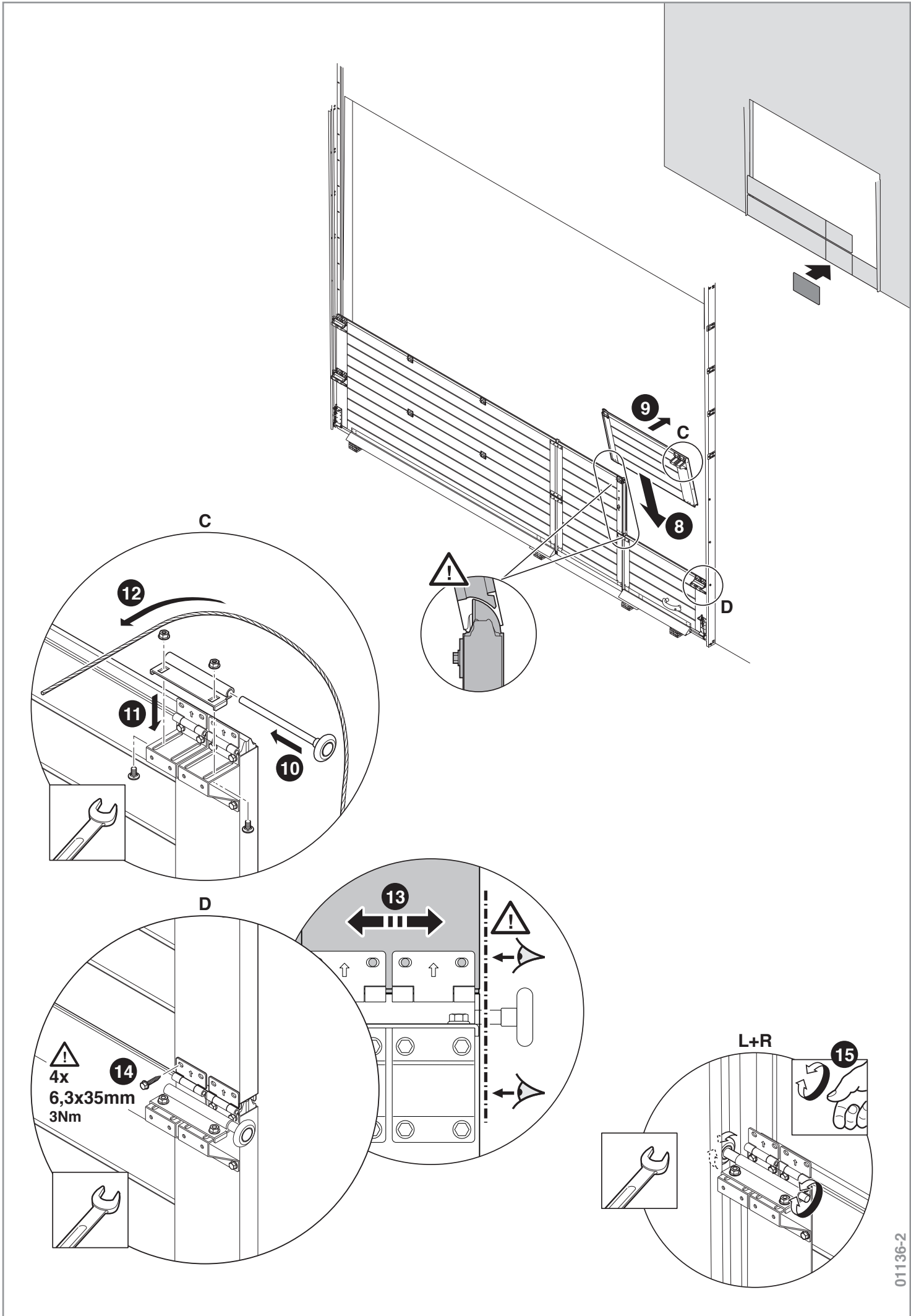


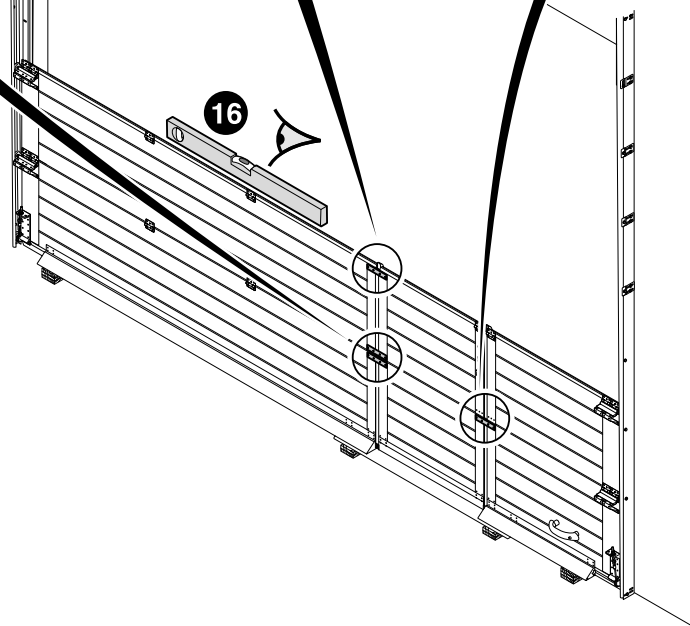
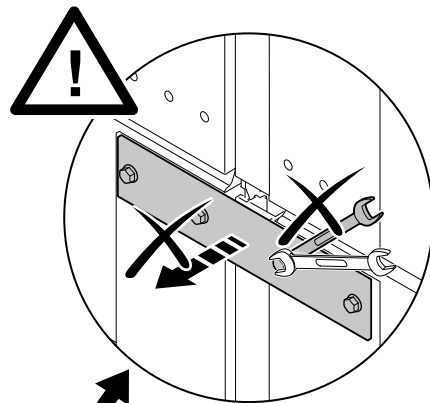
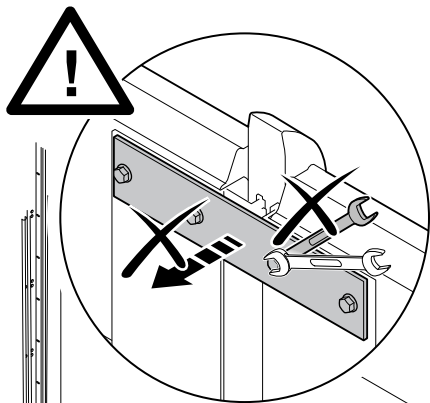
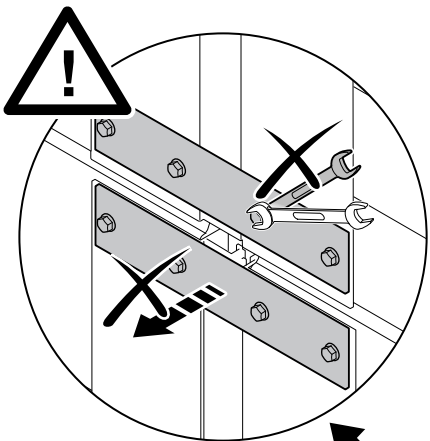
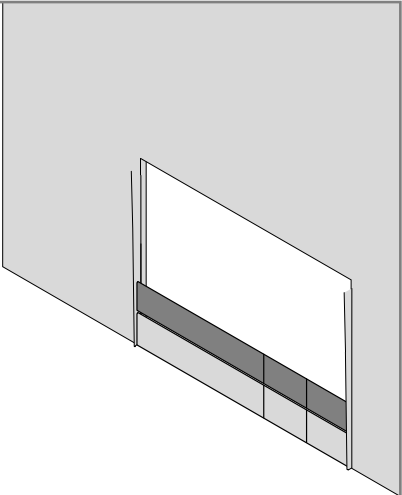
21



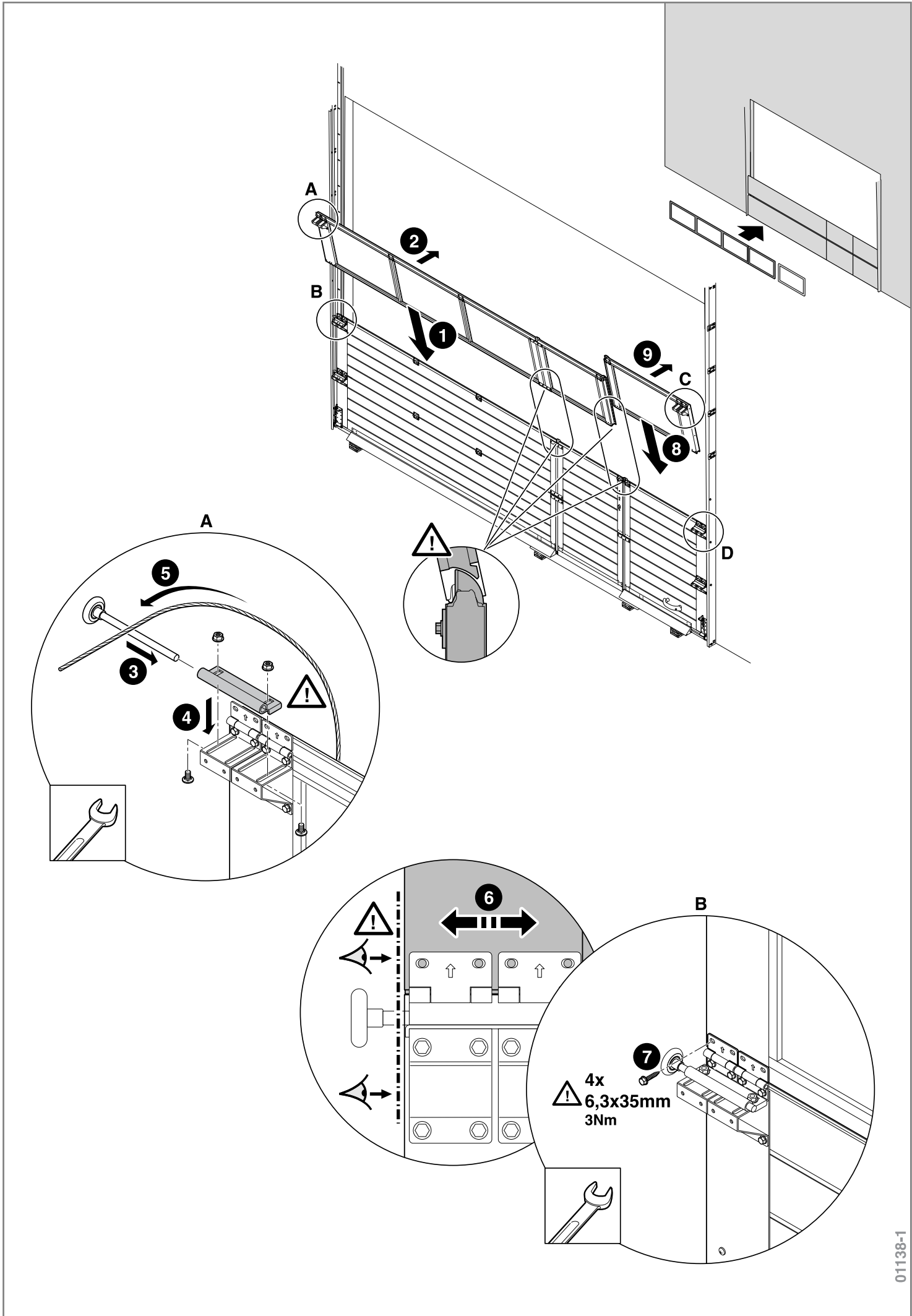
± 3mm

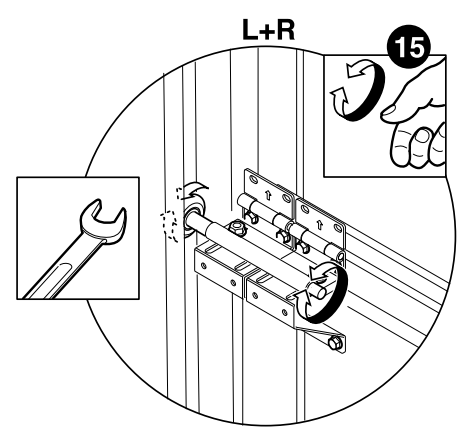
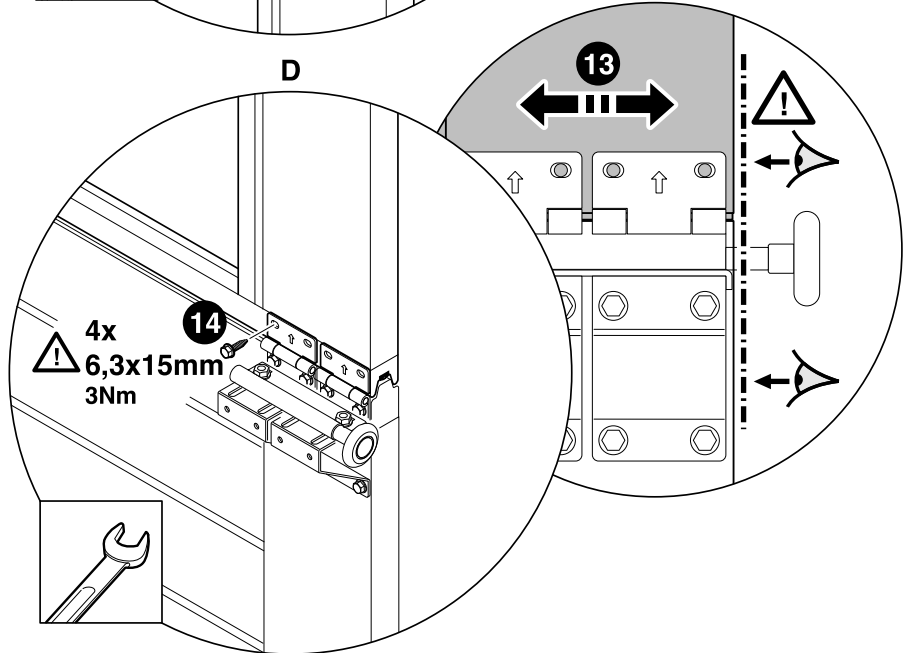
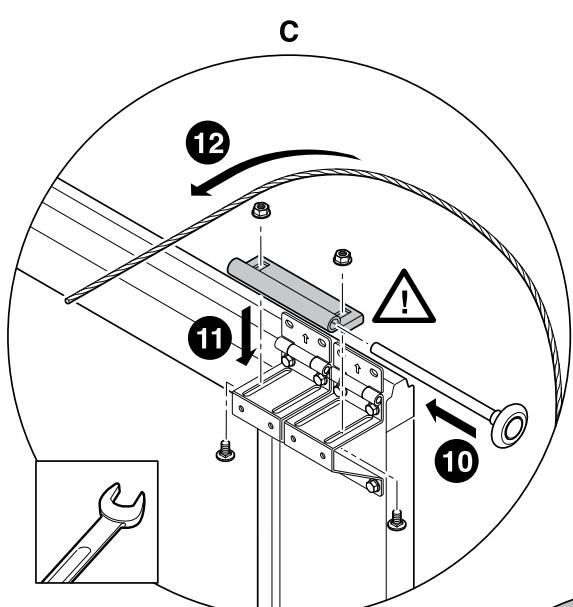
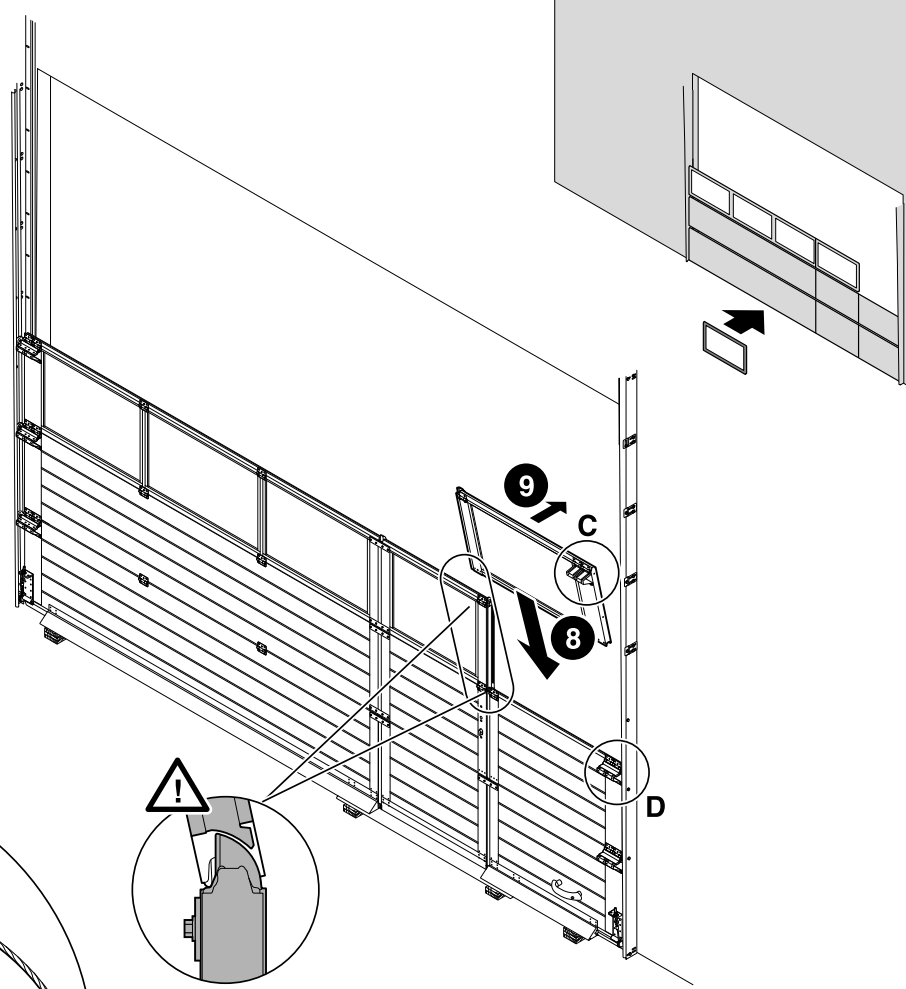


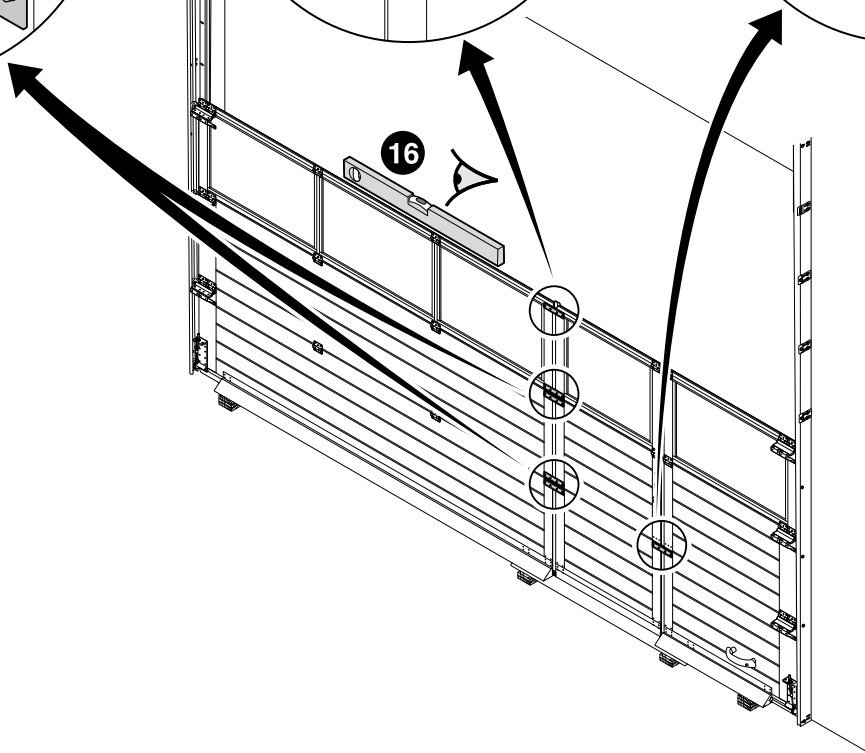
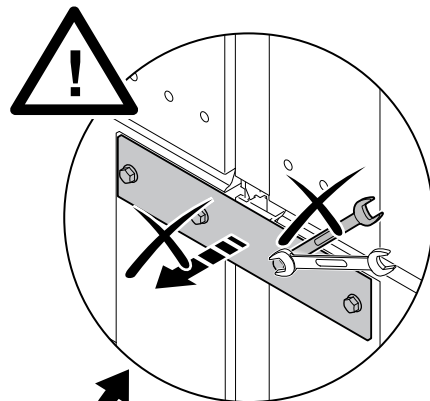
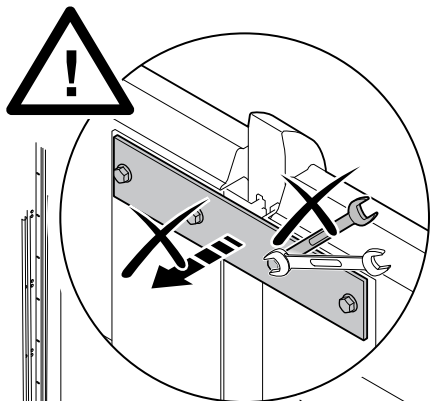
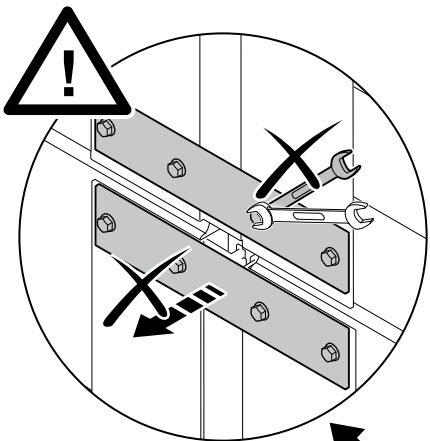
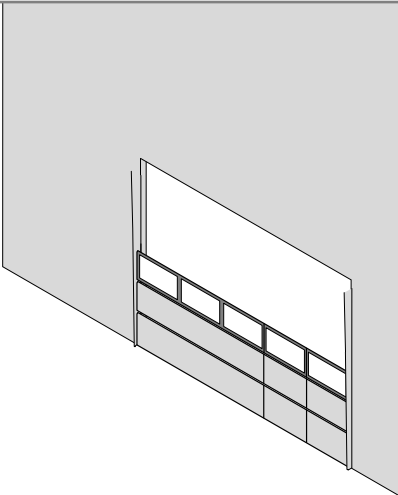


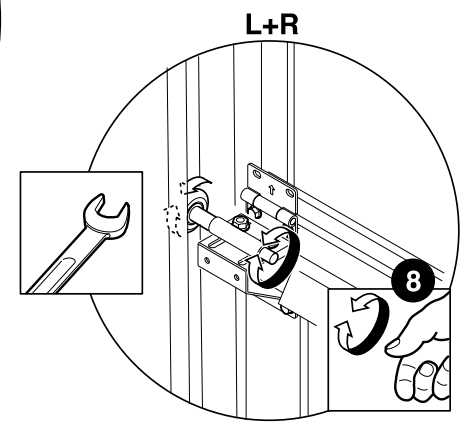
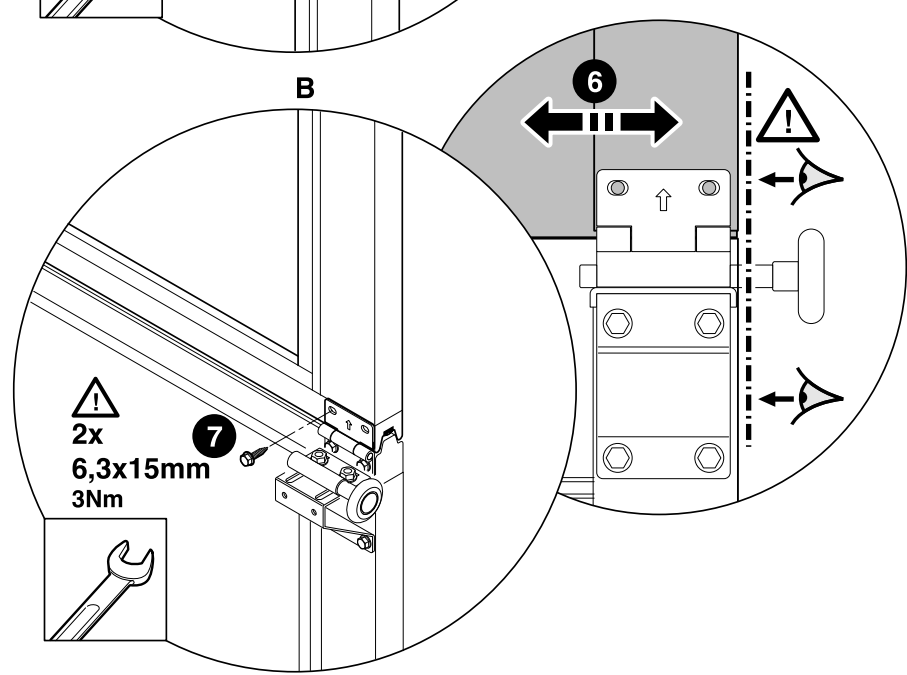
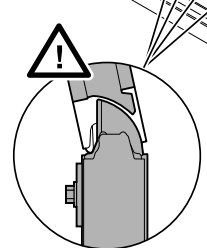
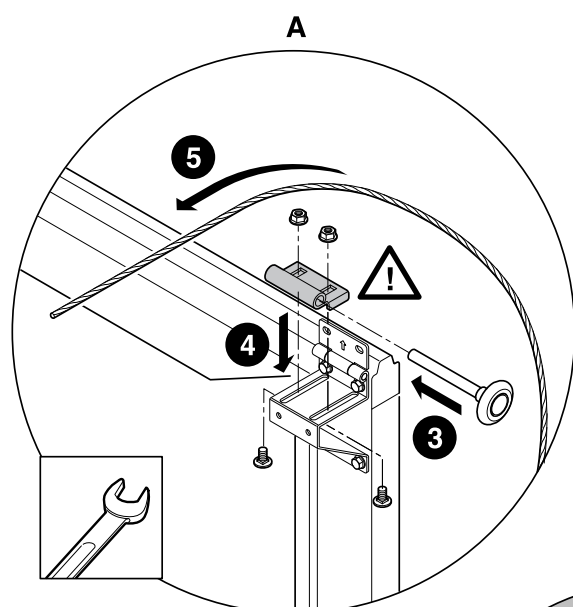
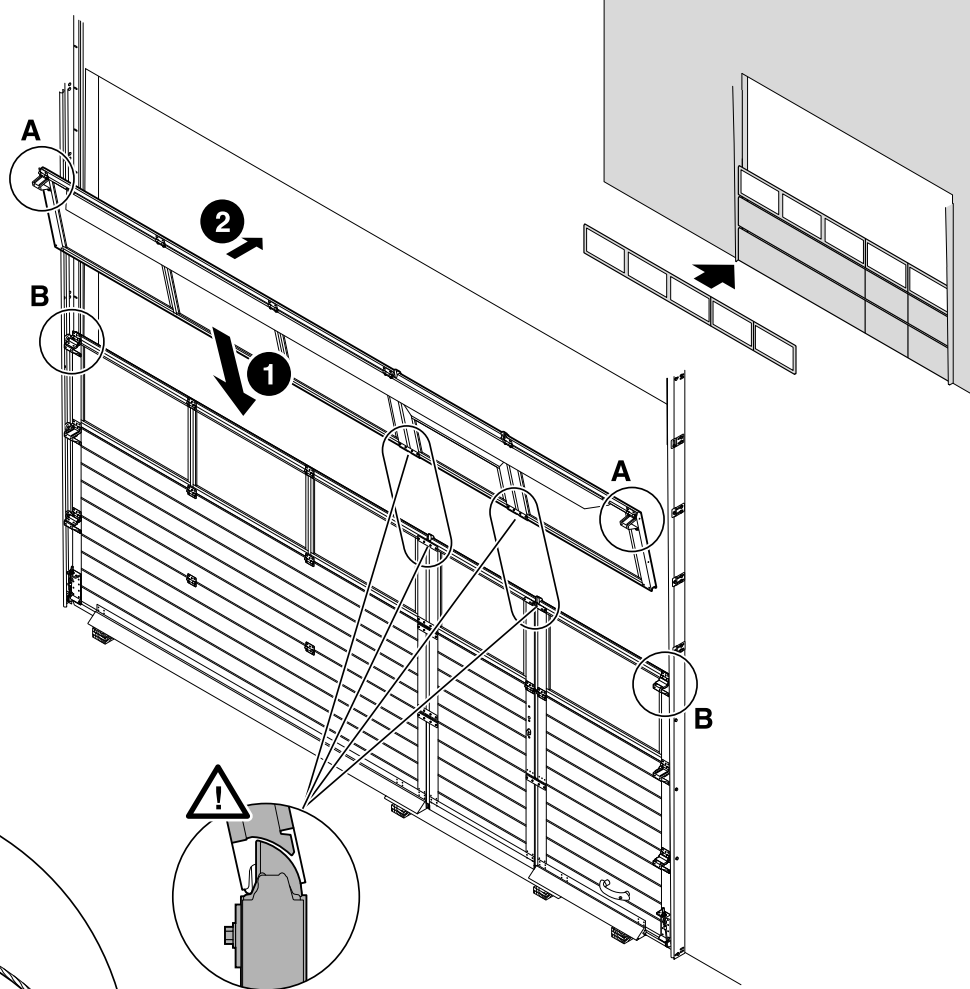


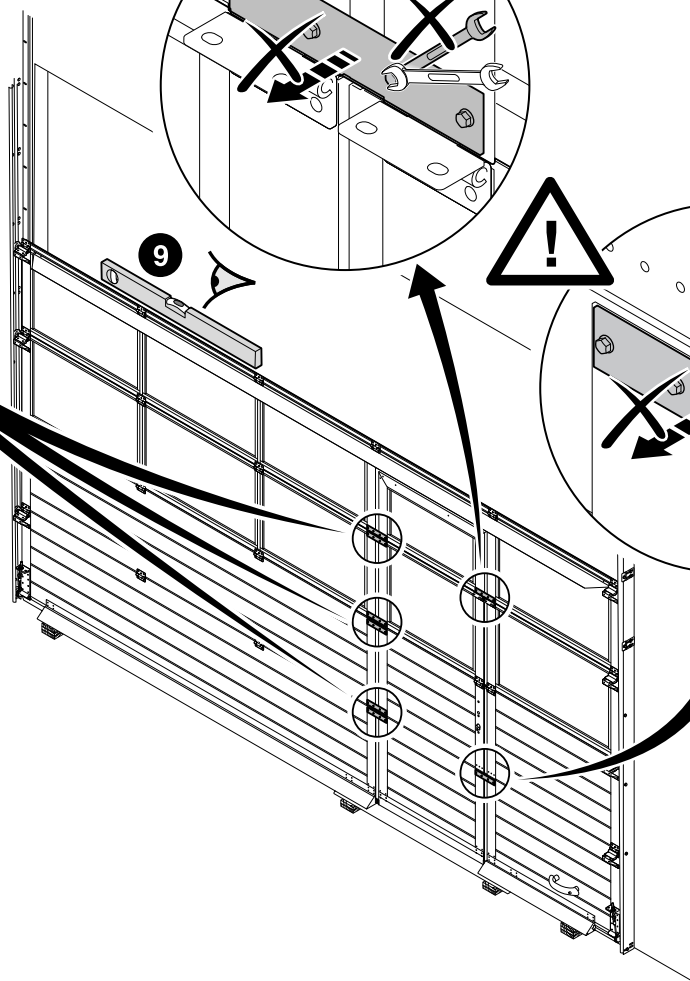
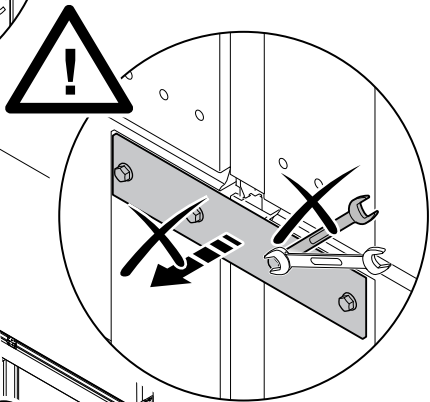
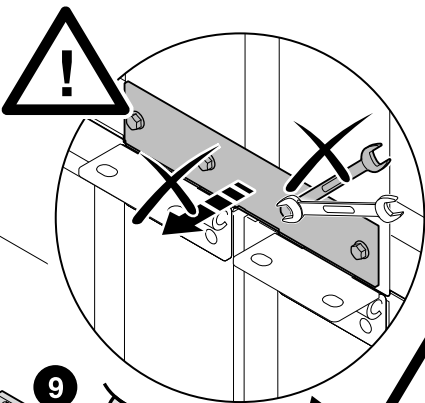
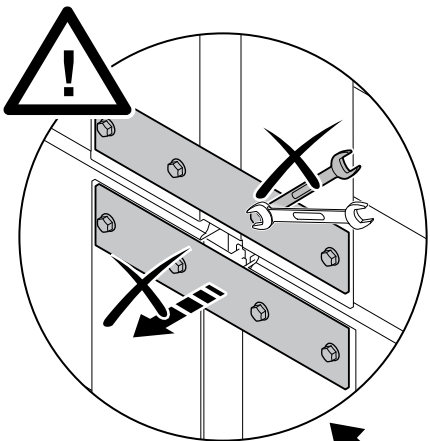
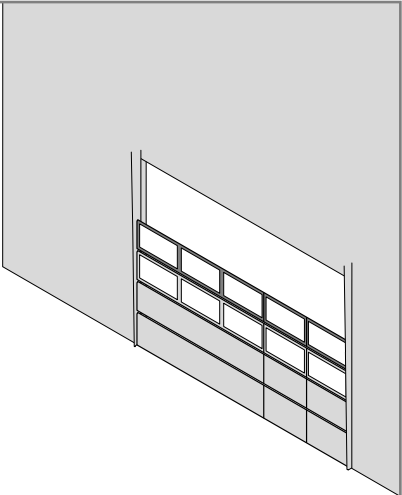


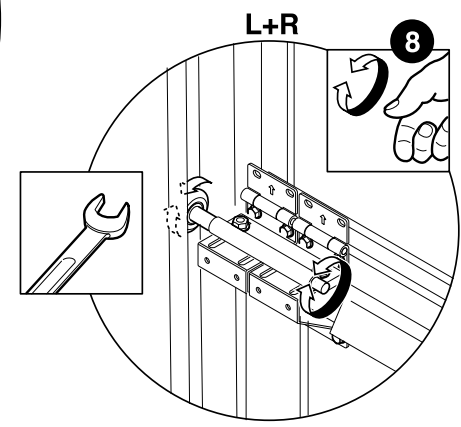
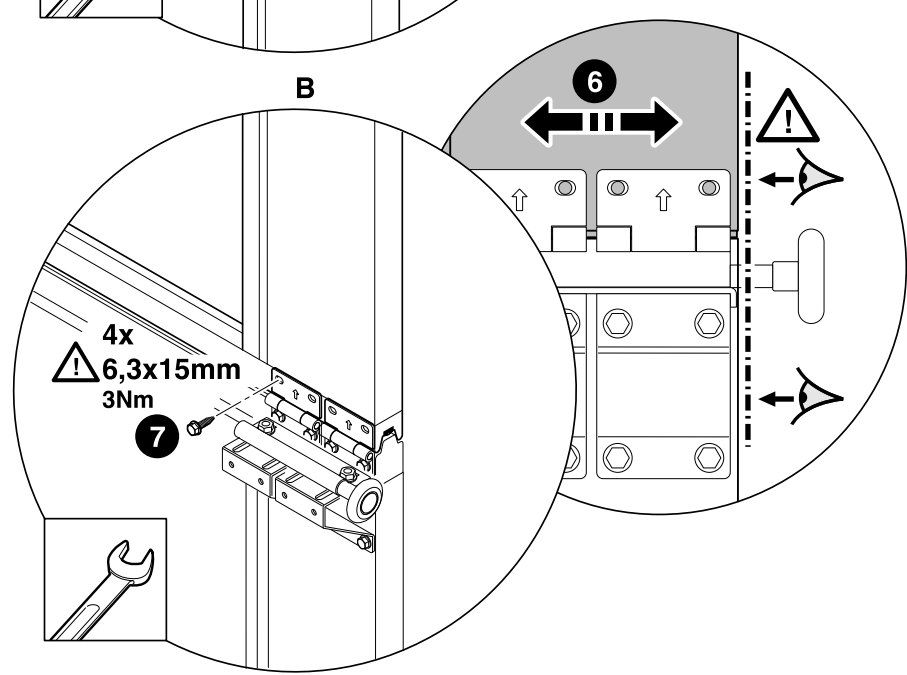
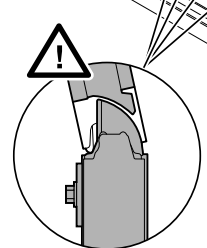
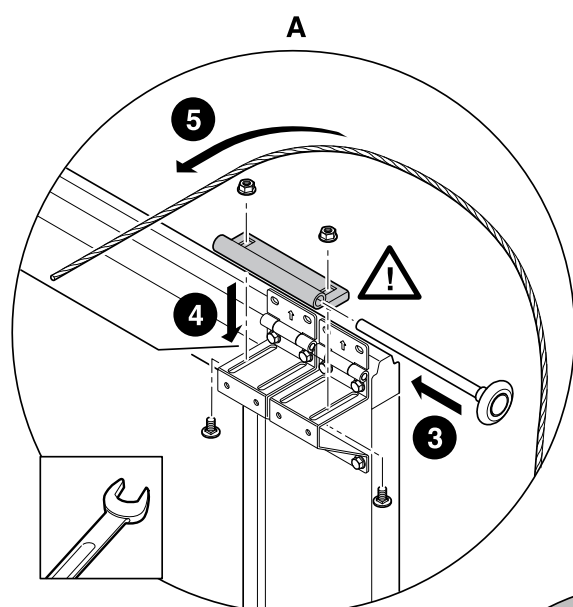
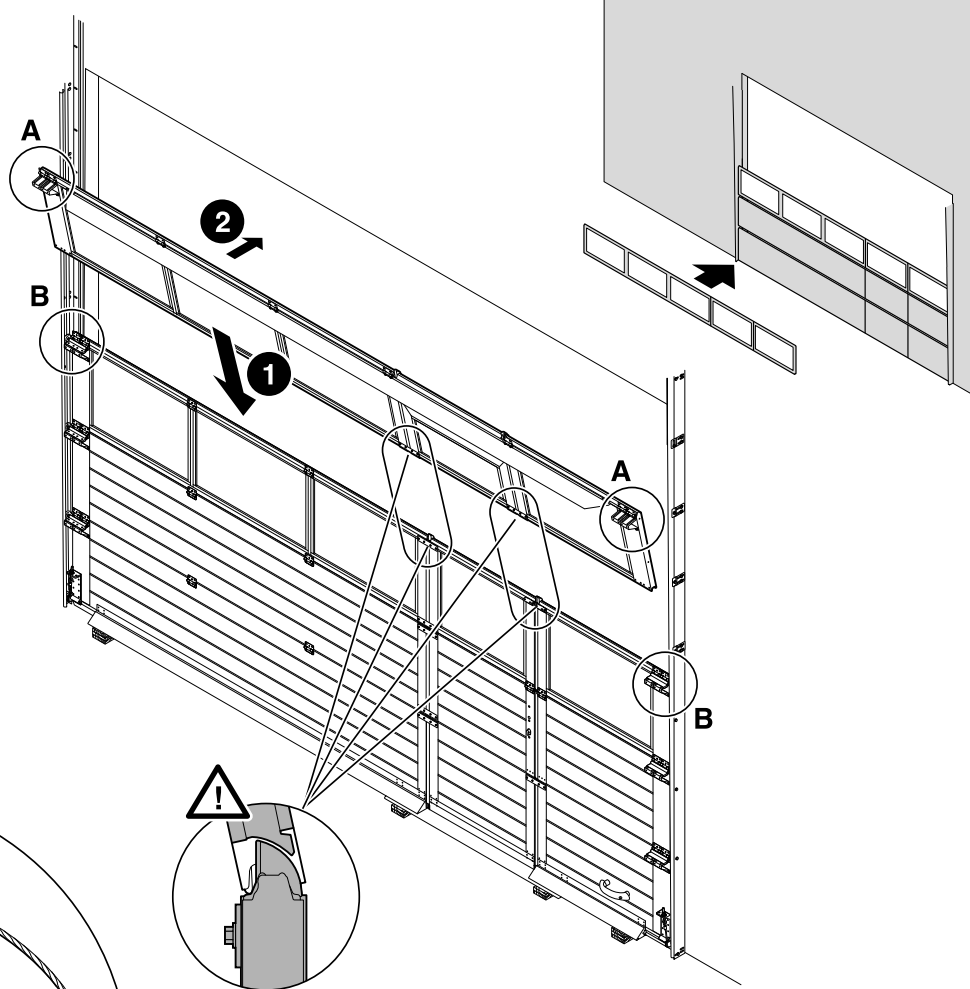


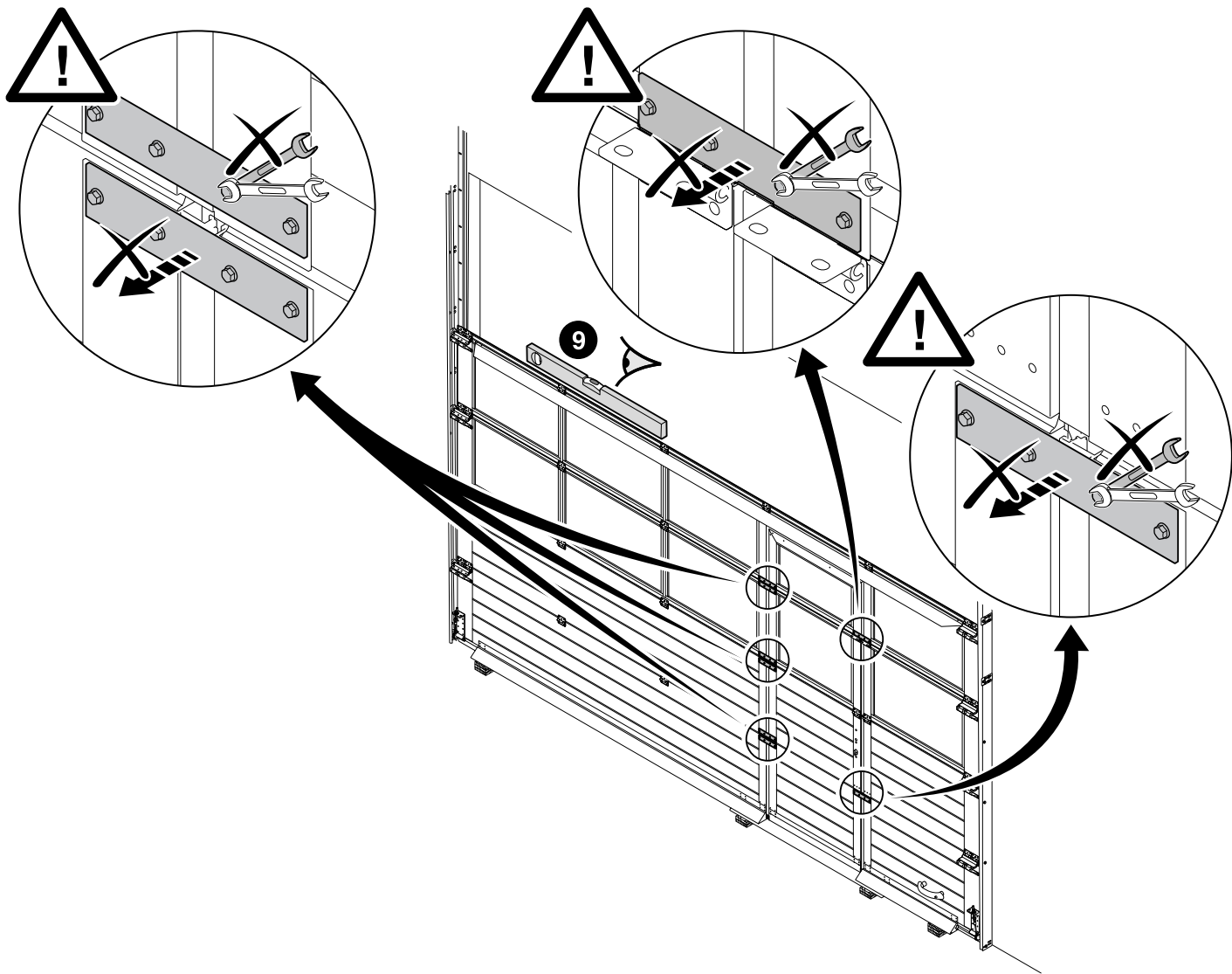
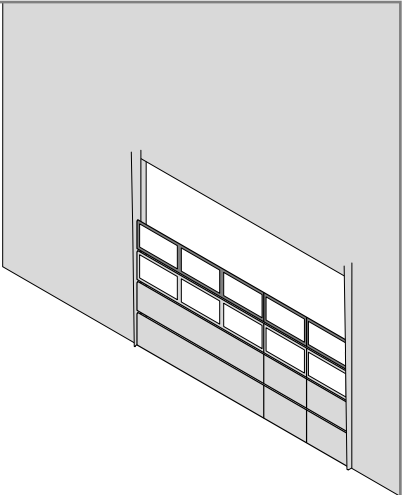




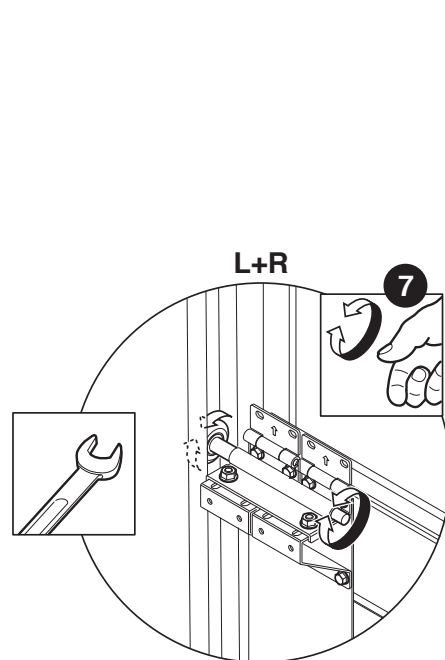
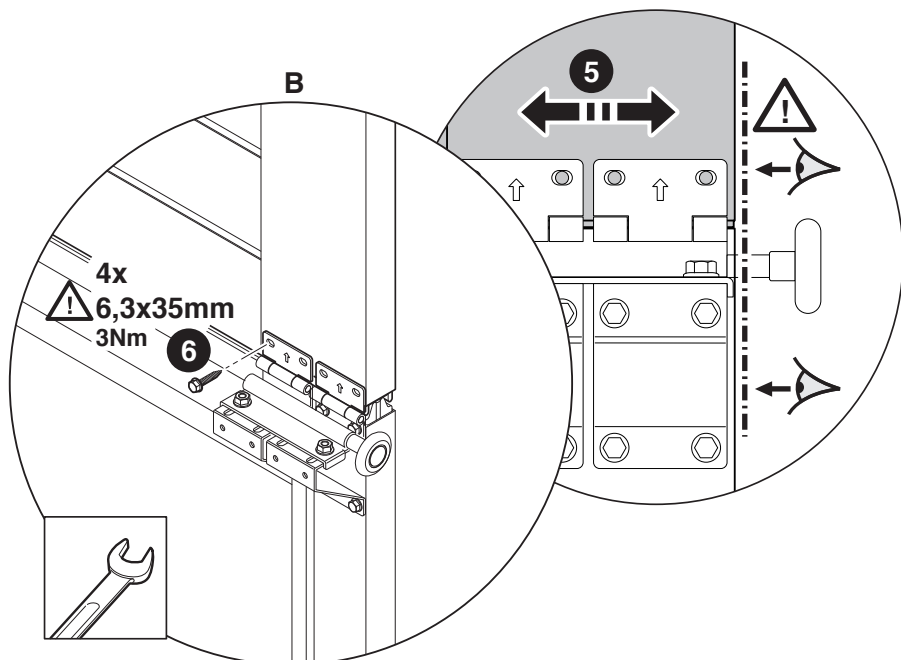
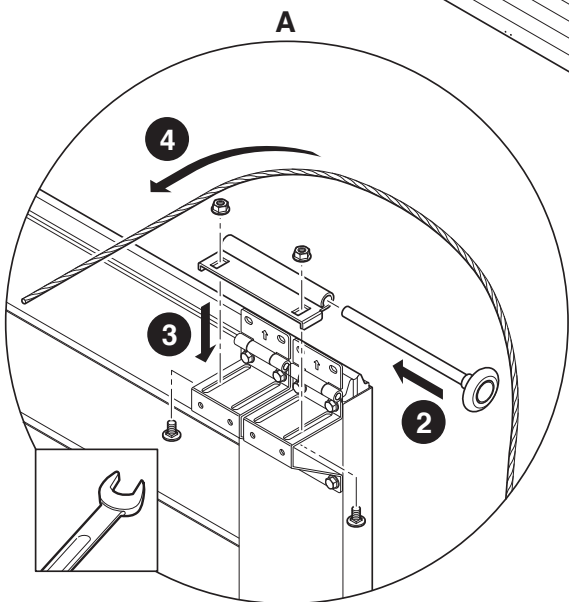
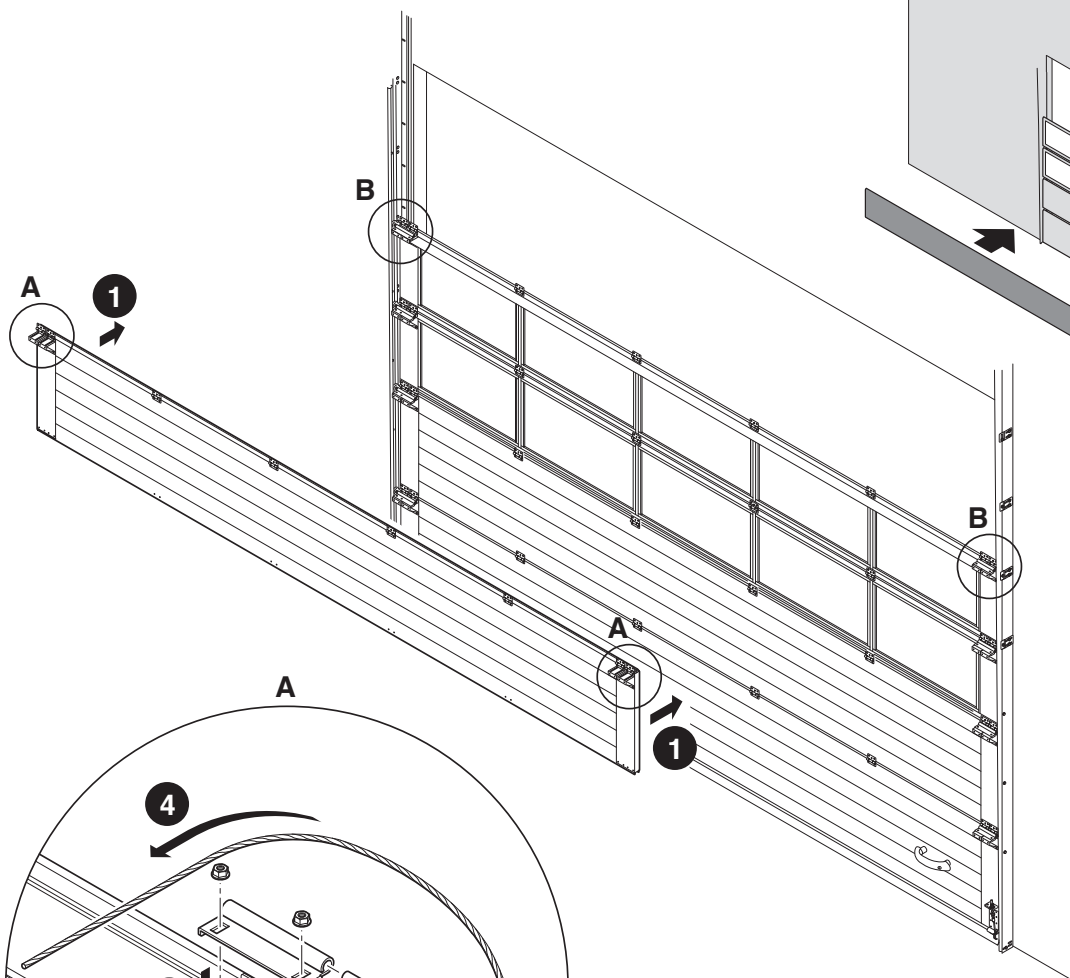




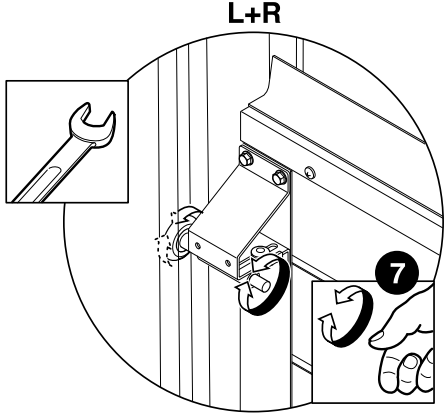
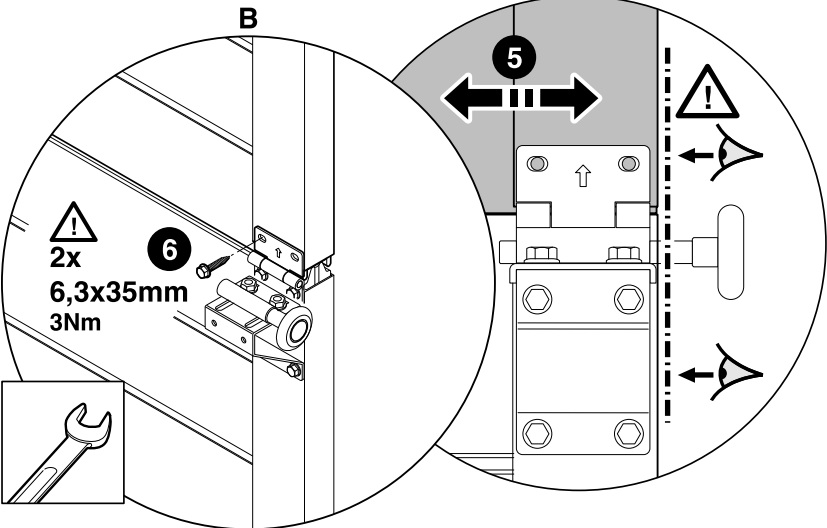
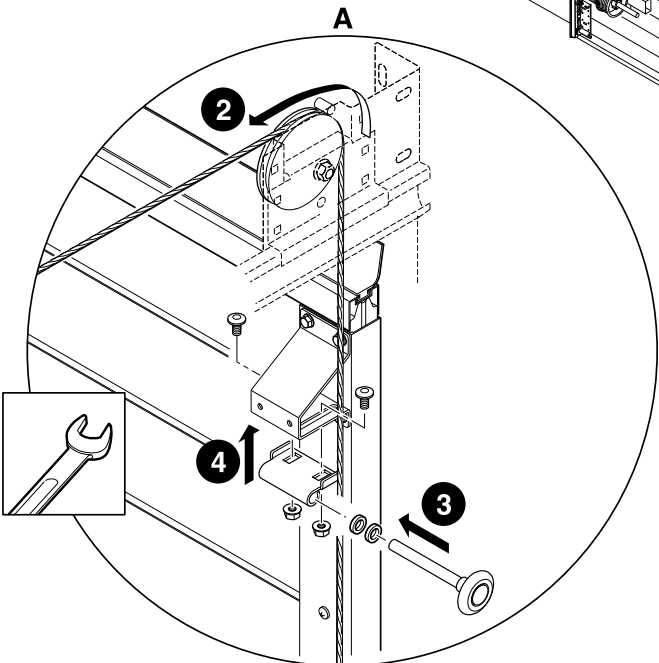
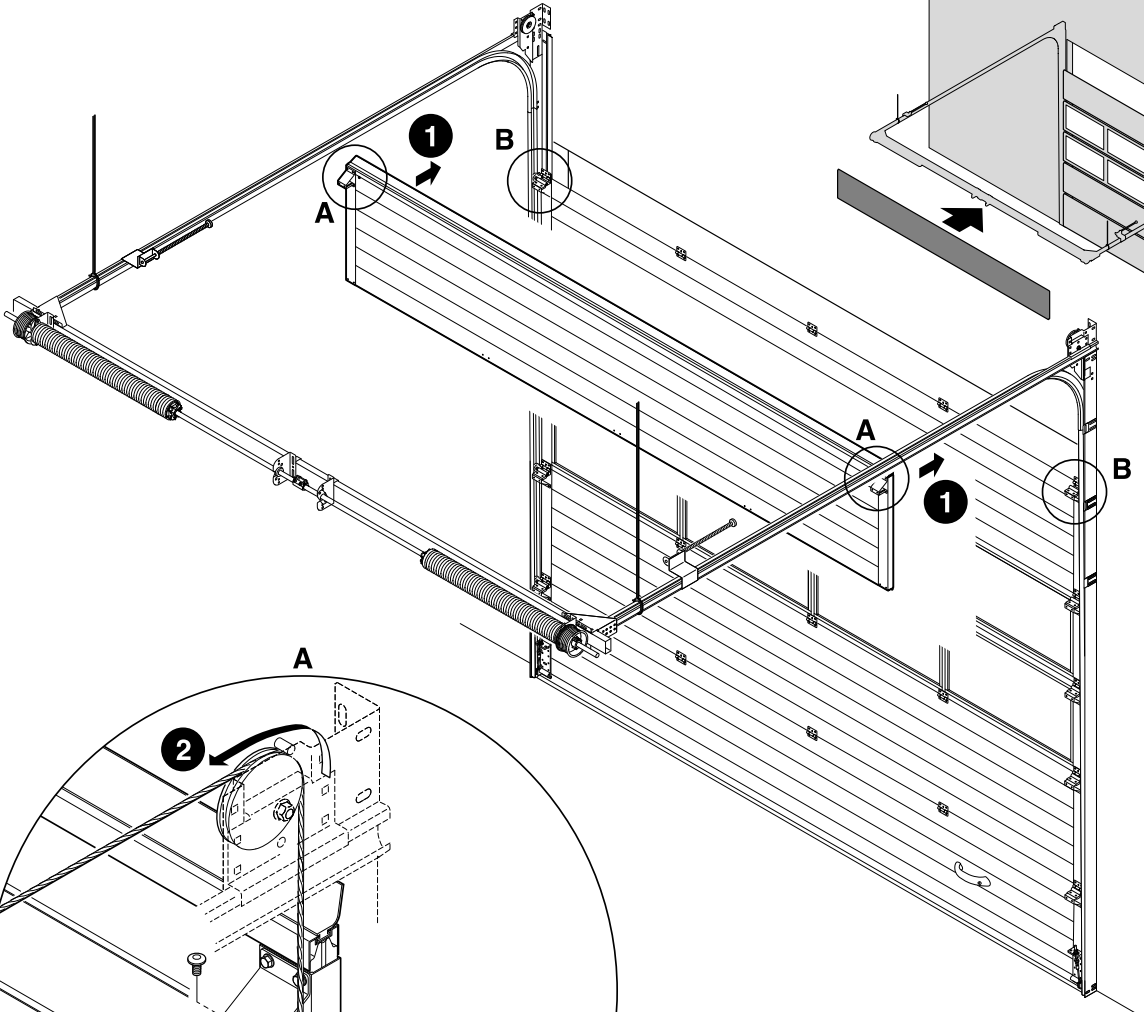


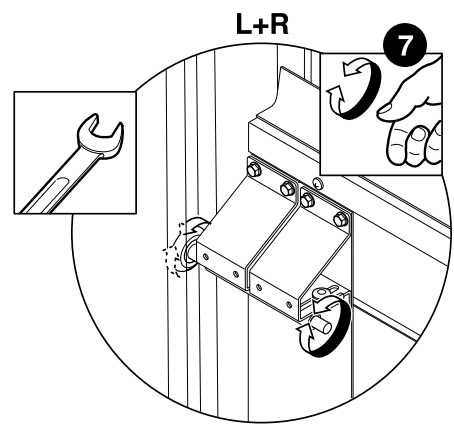
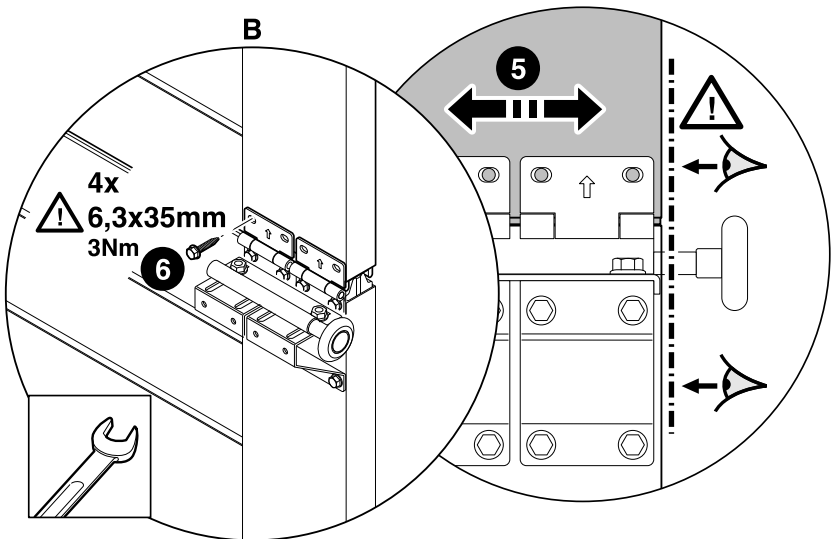
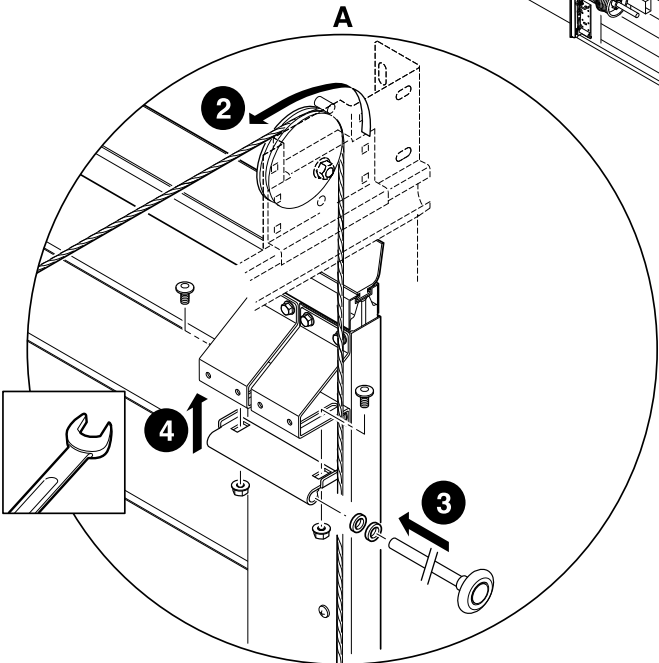
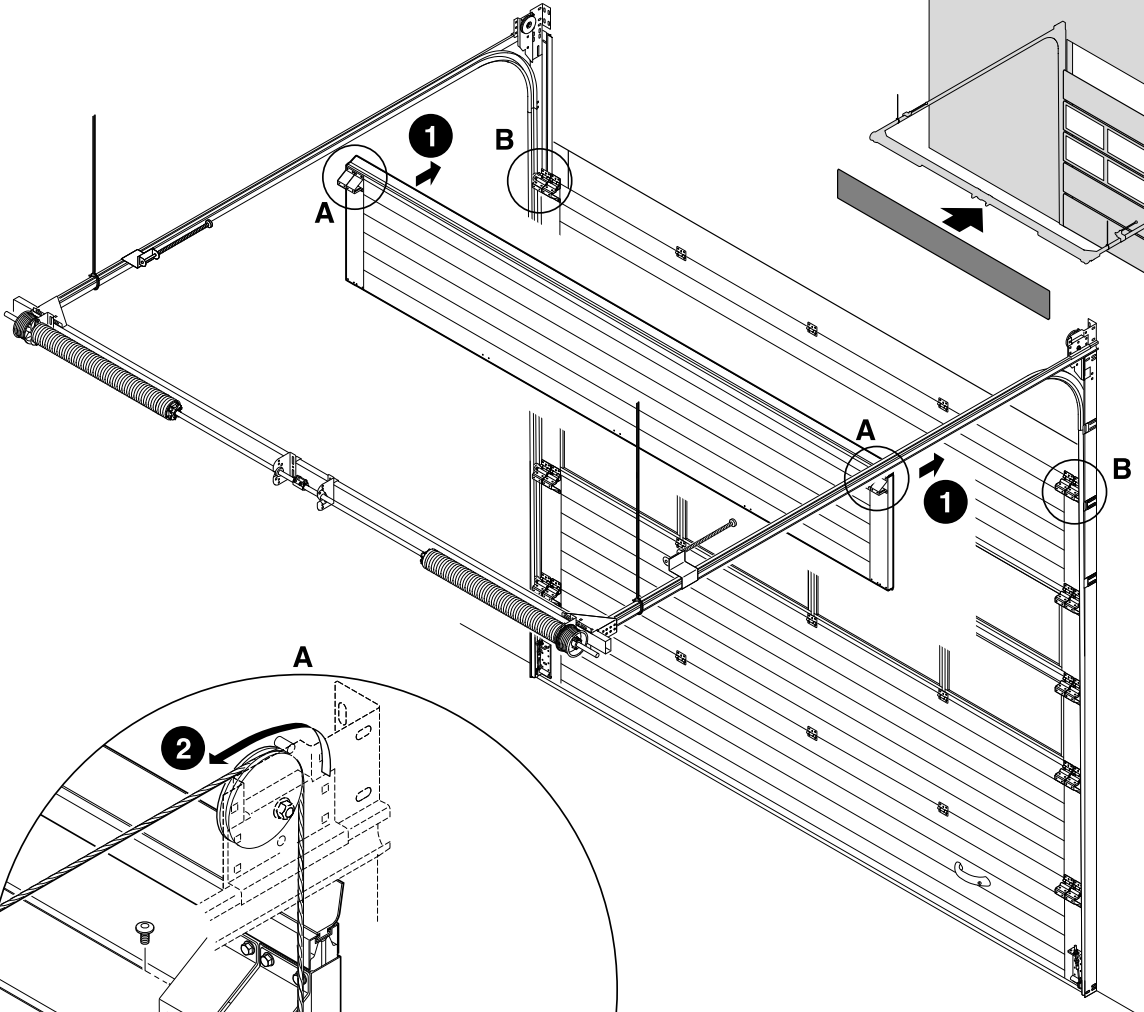


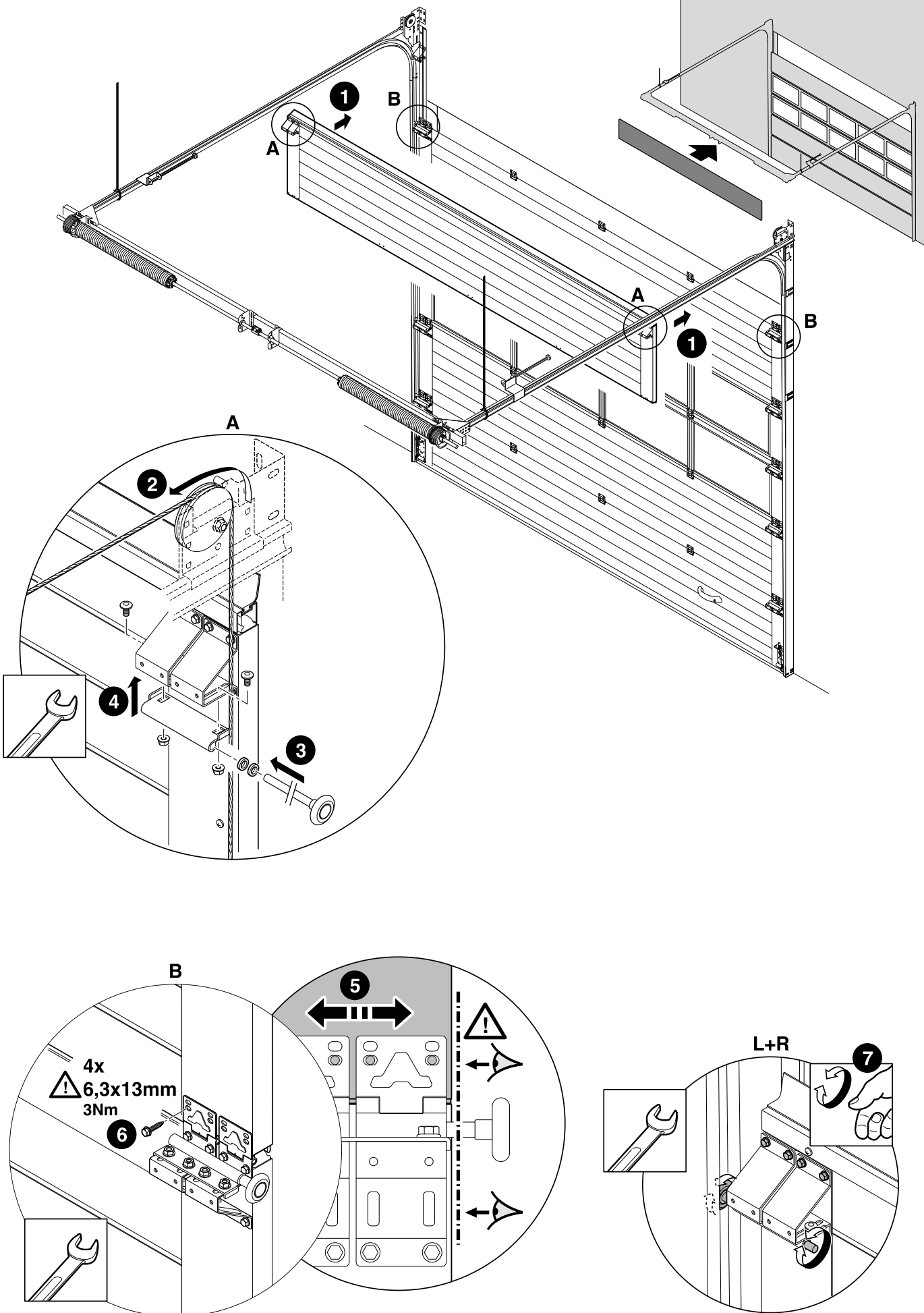


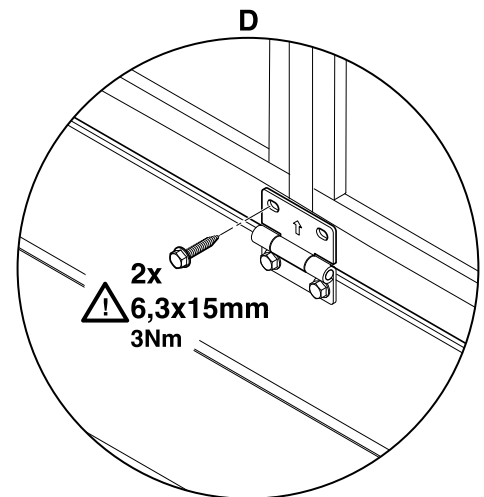
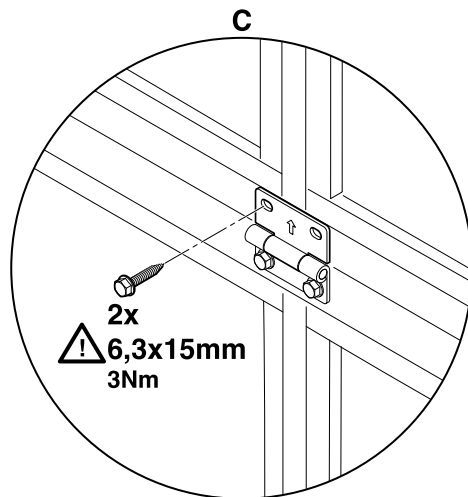
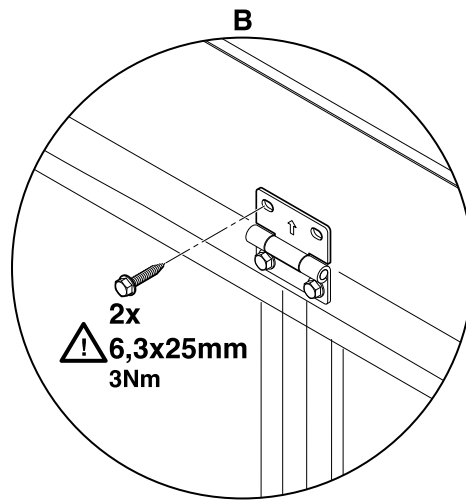
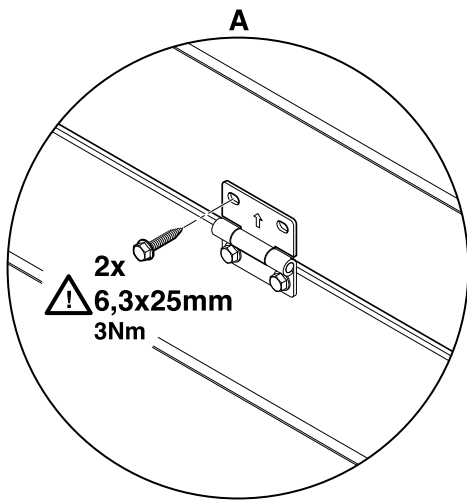
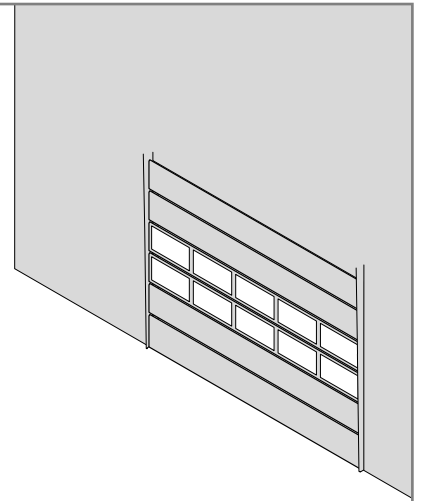
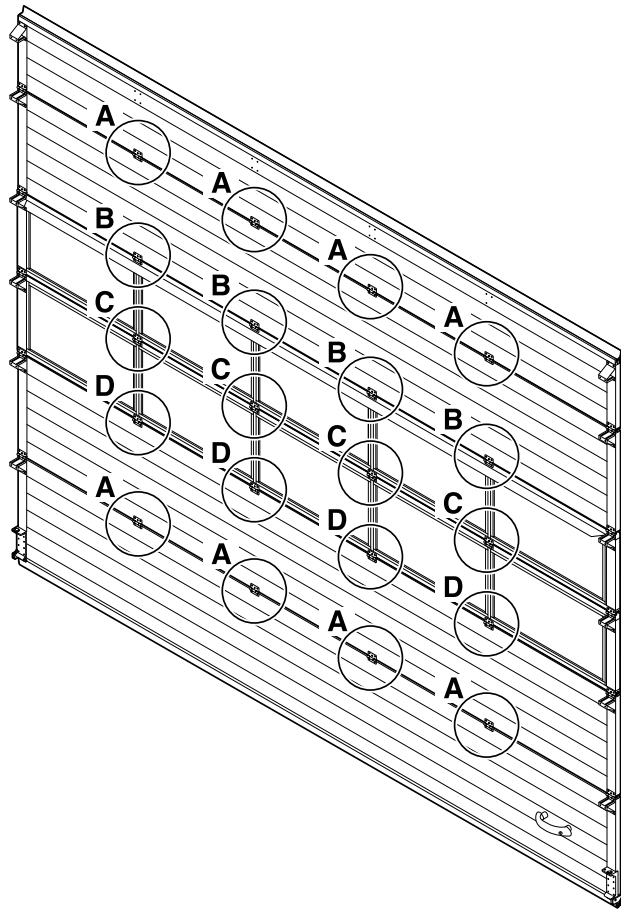


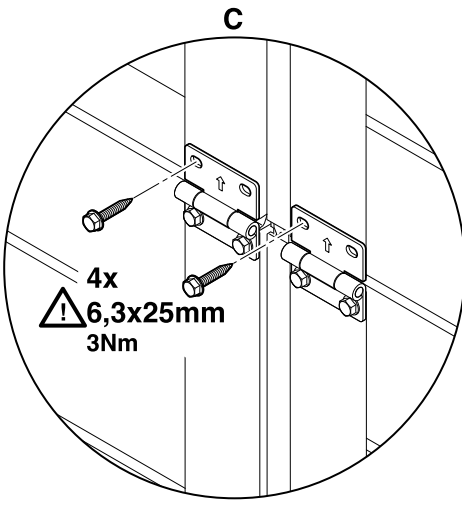
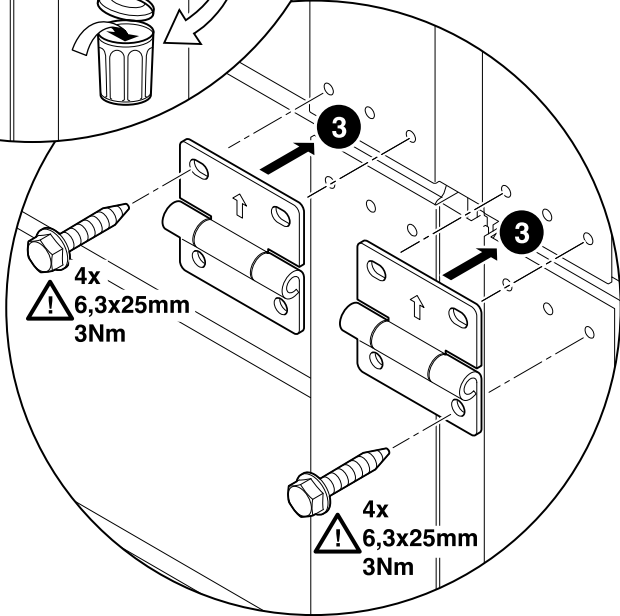
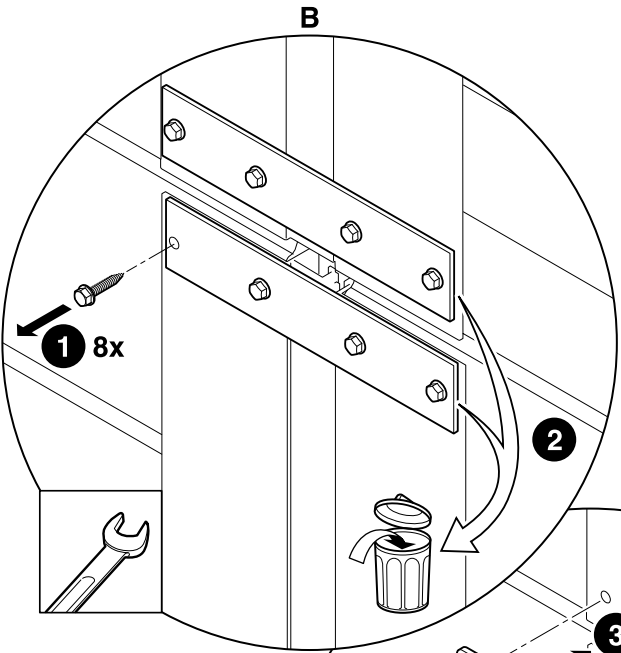
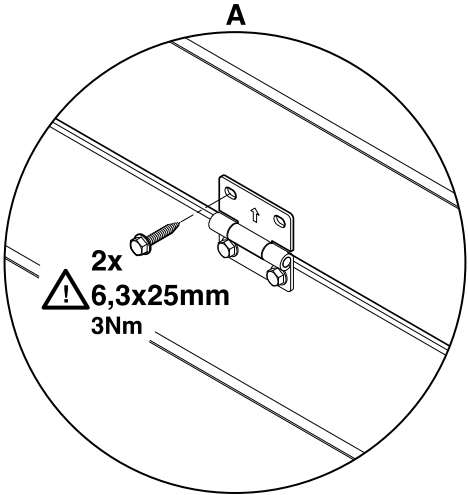
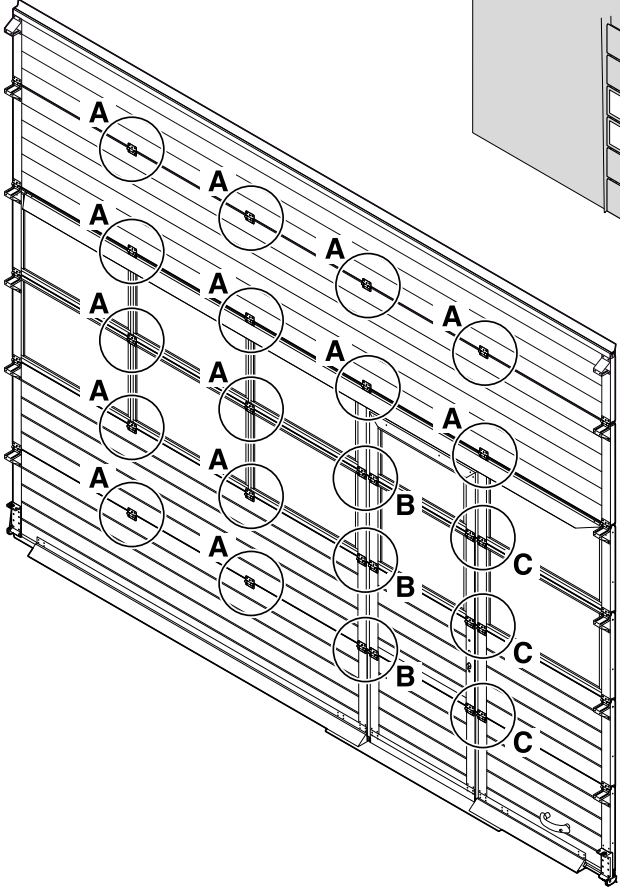
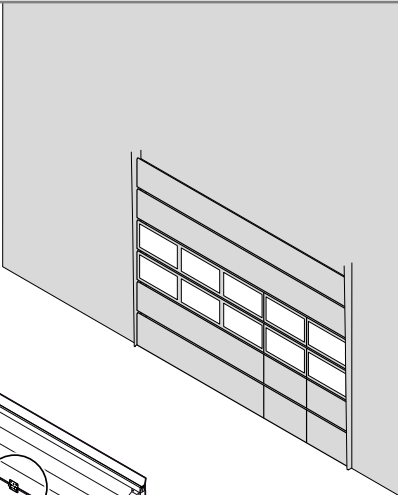


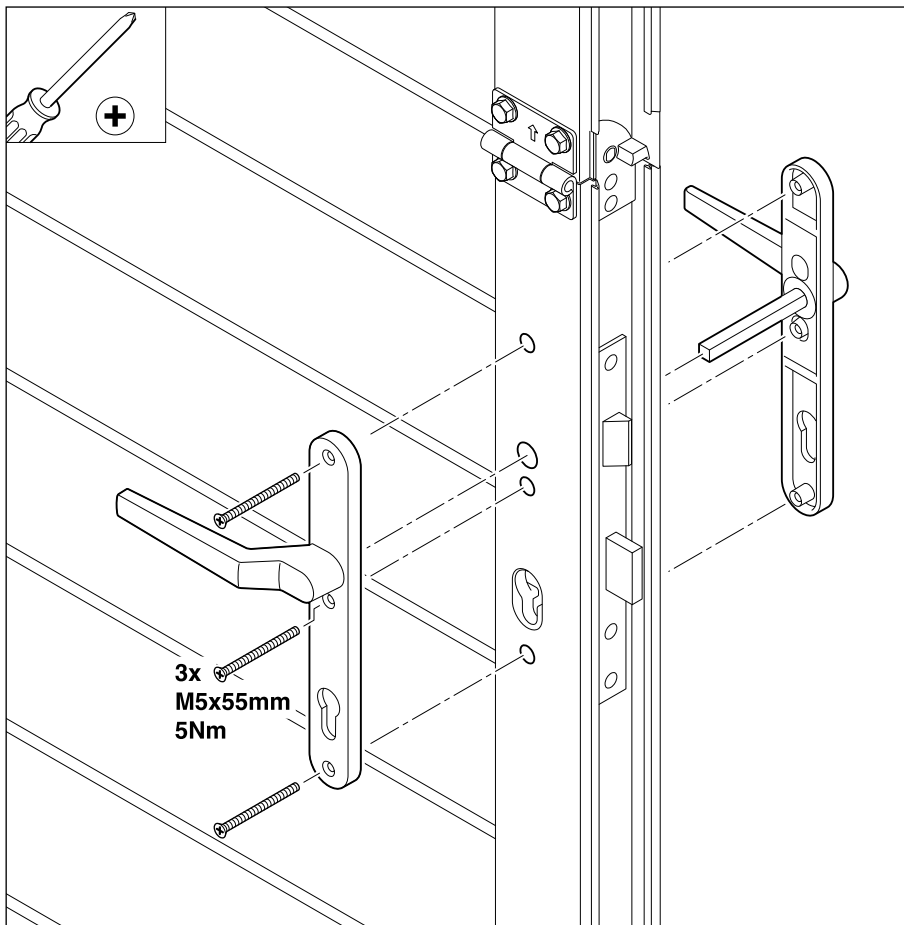
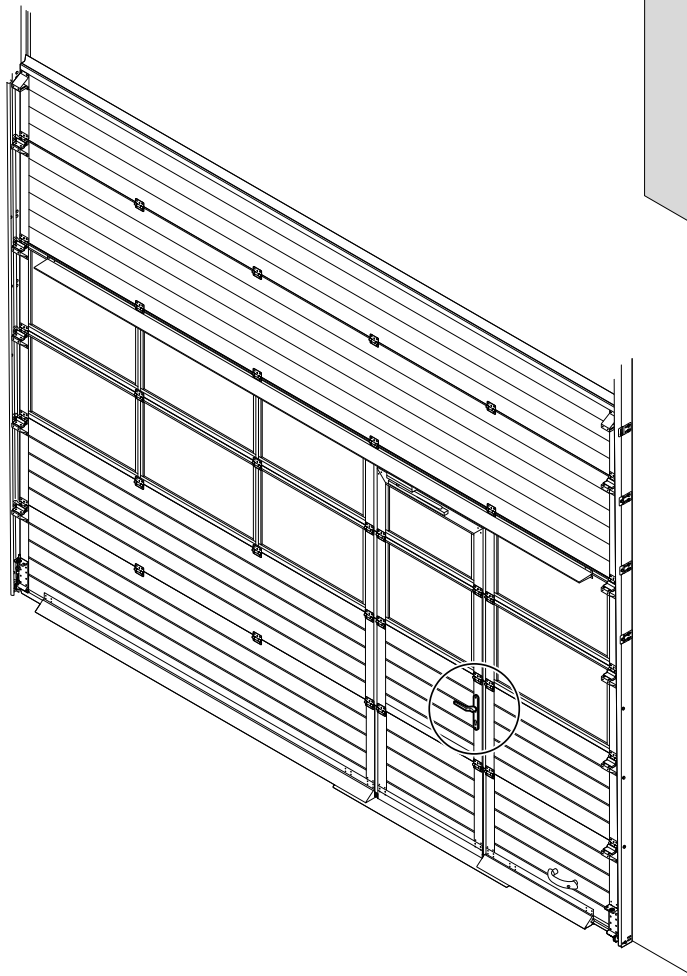




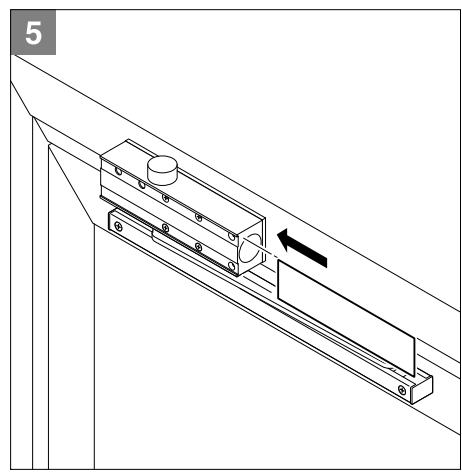
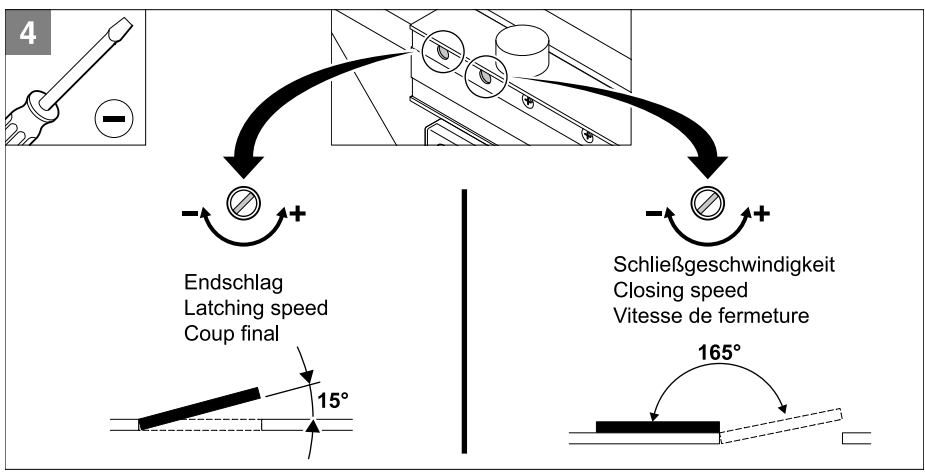
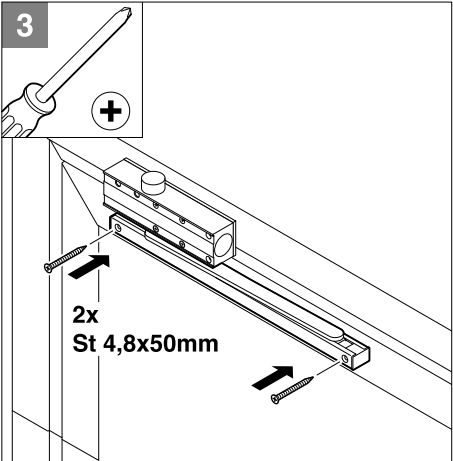
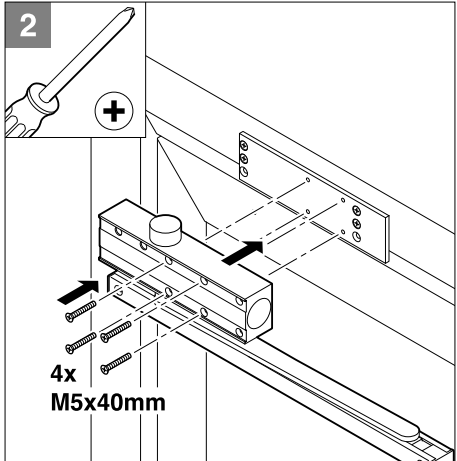
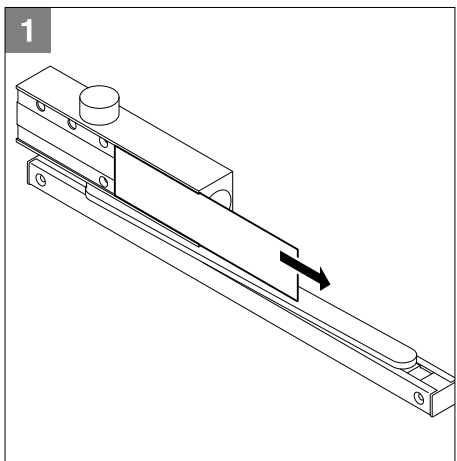
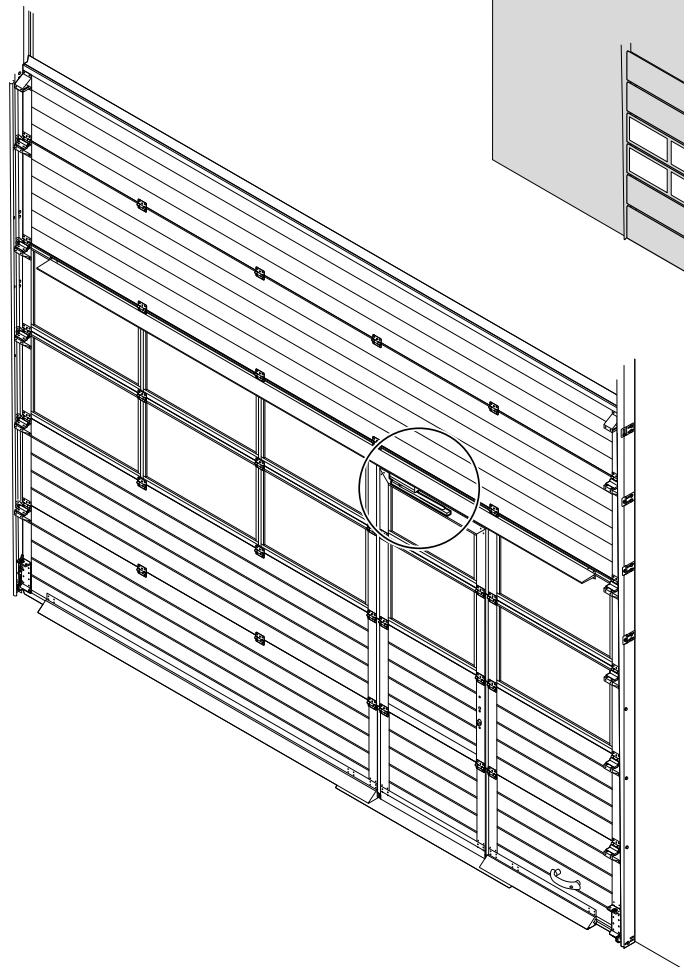
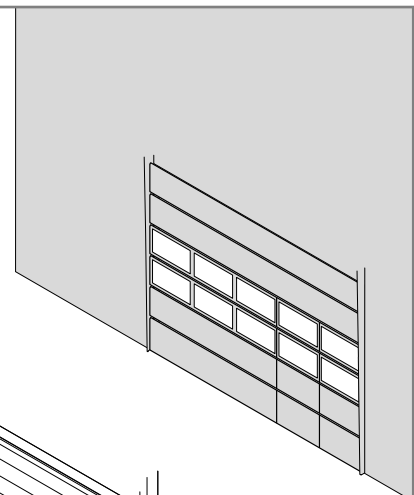


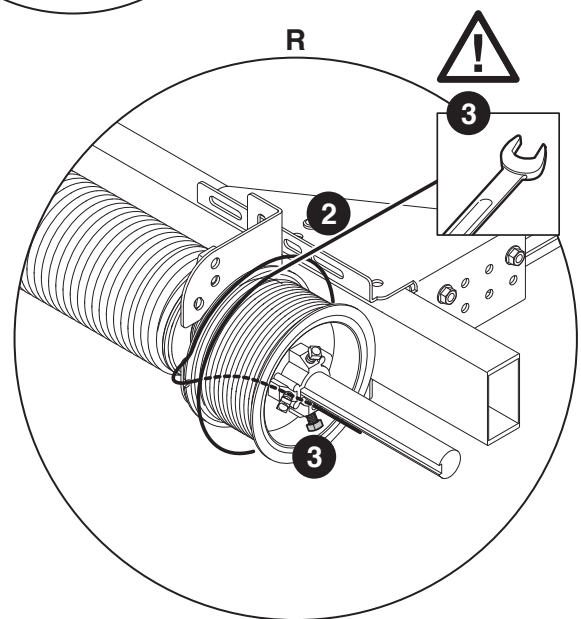
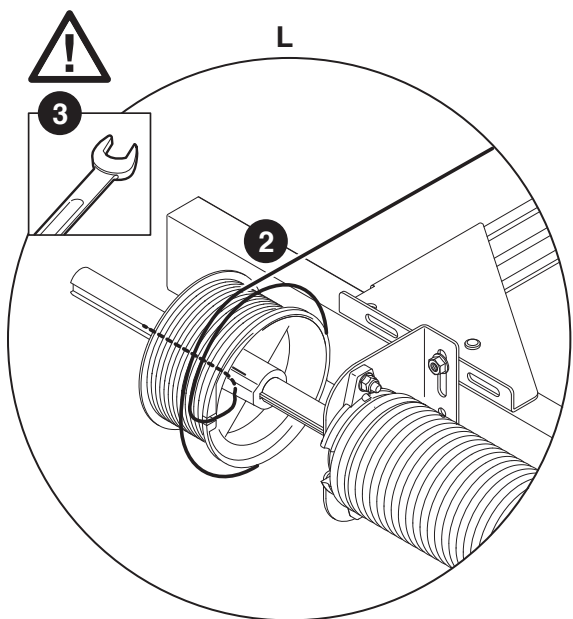
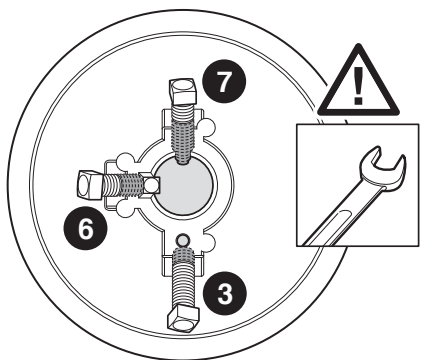
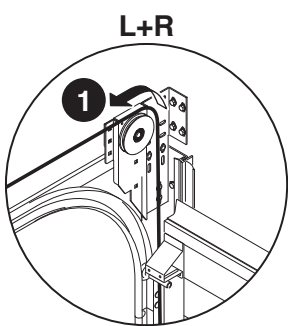
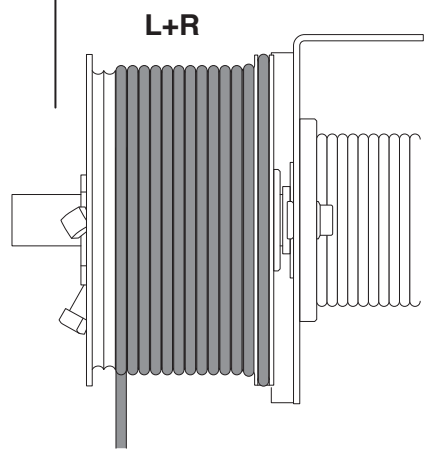
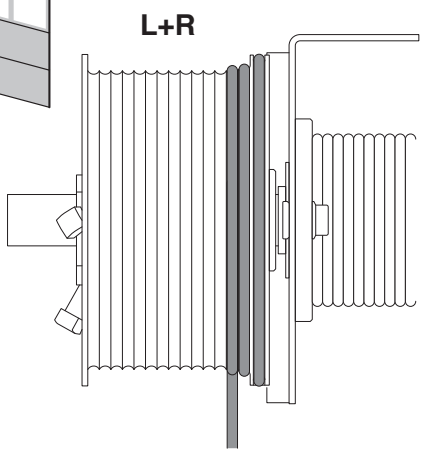
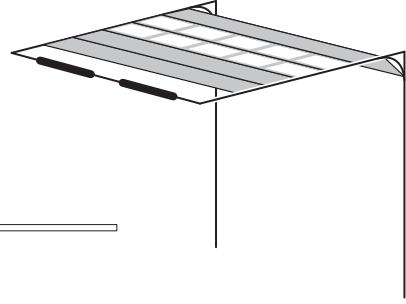
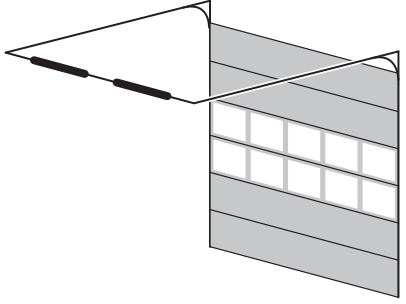
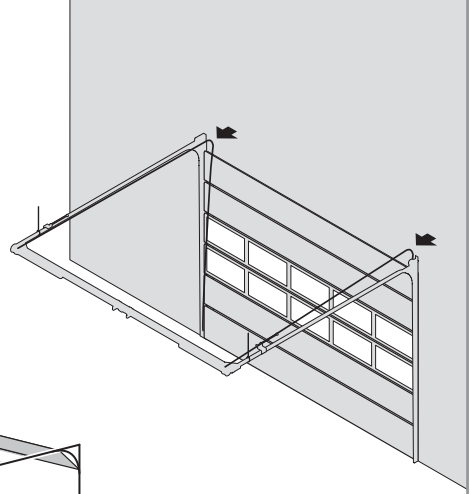
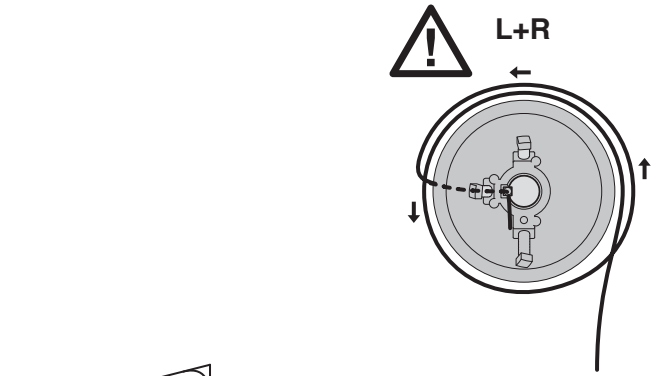




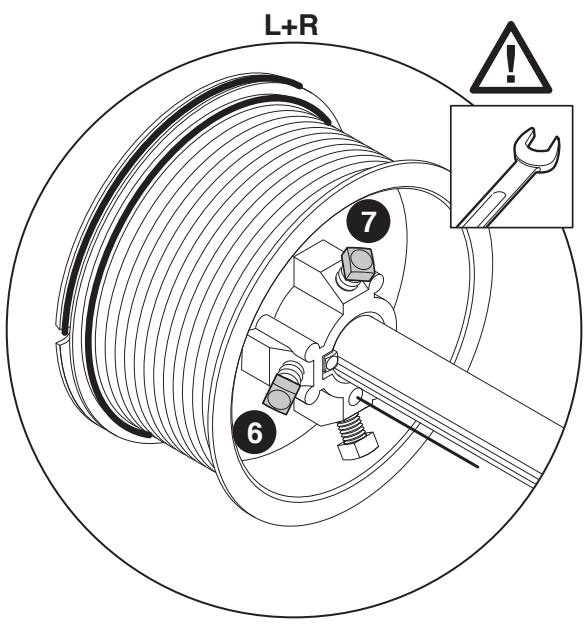
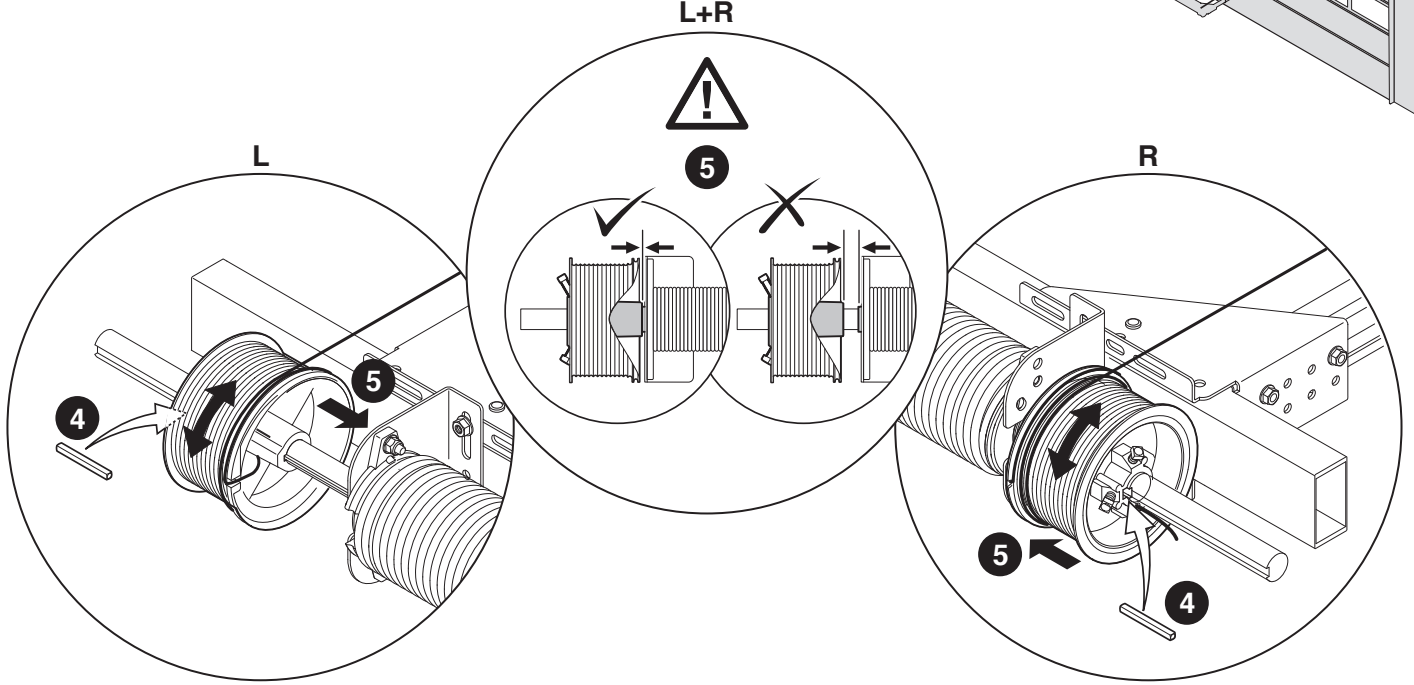
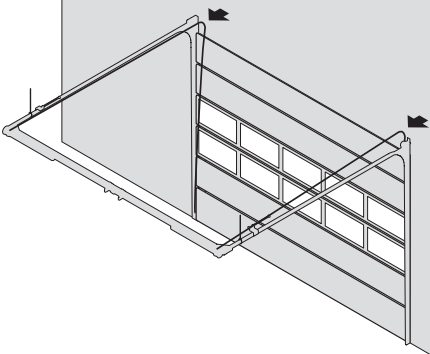


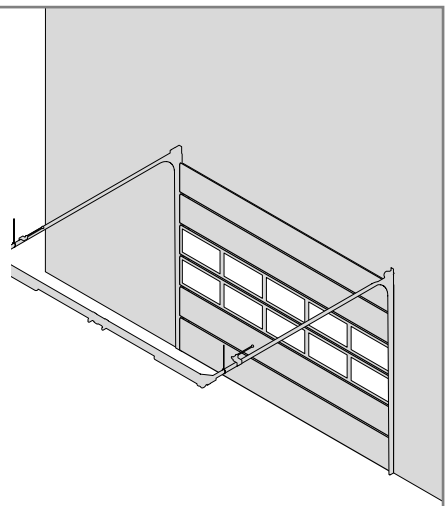
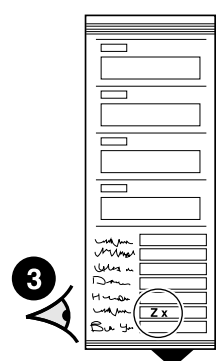
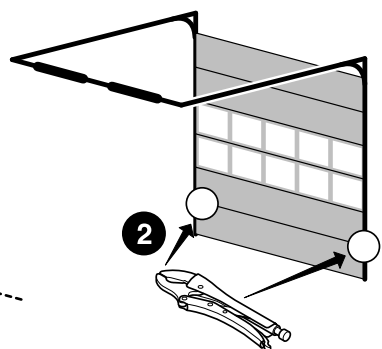
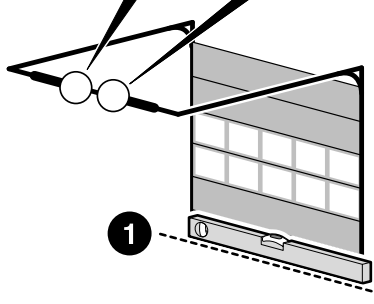
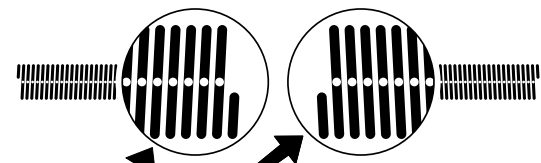




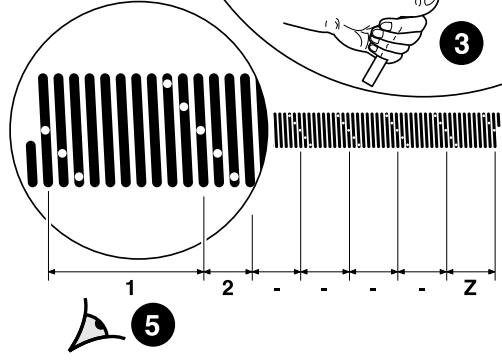
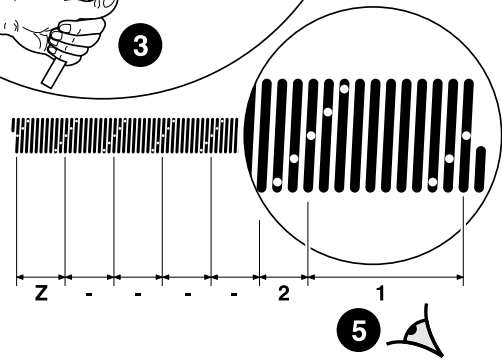
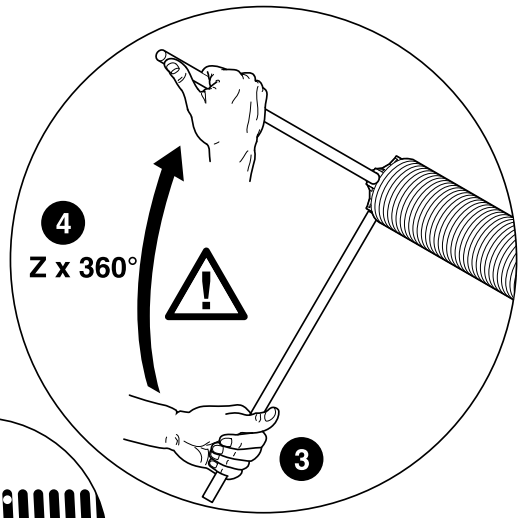
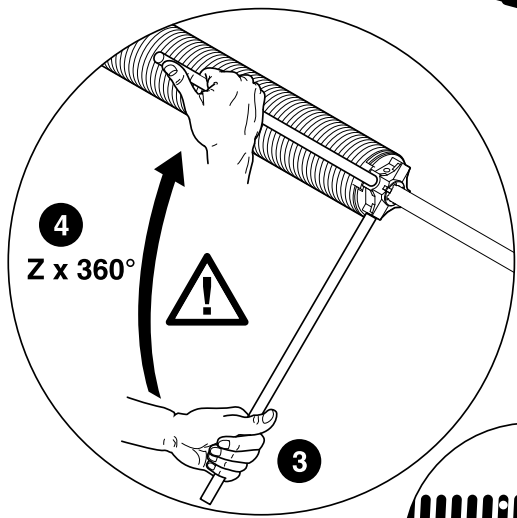




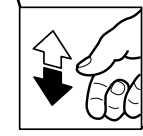
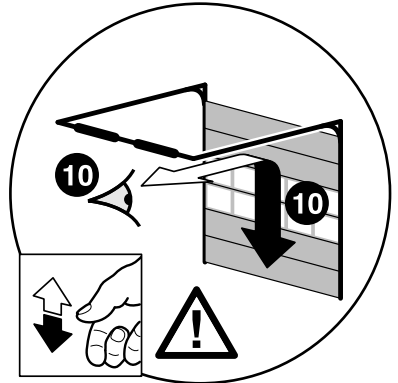
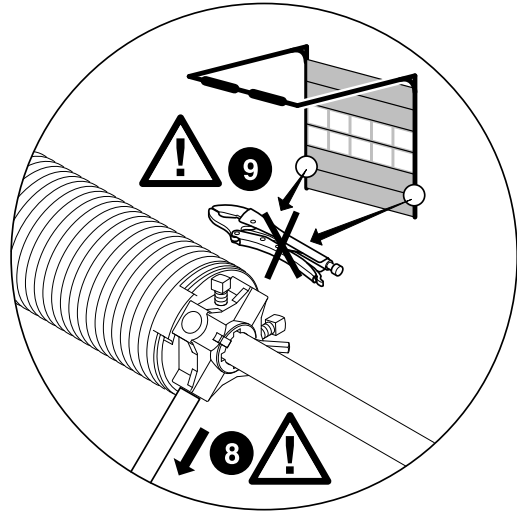
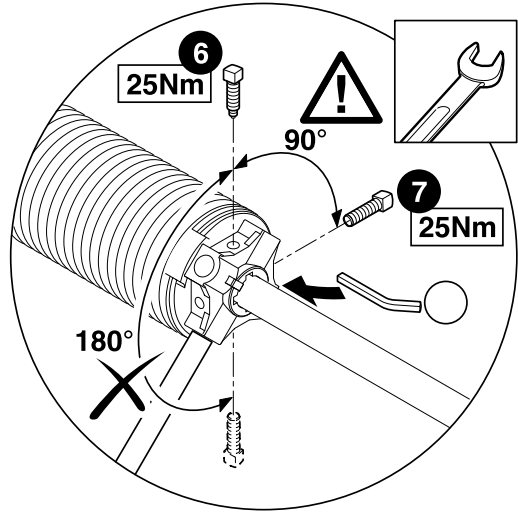


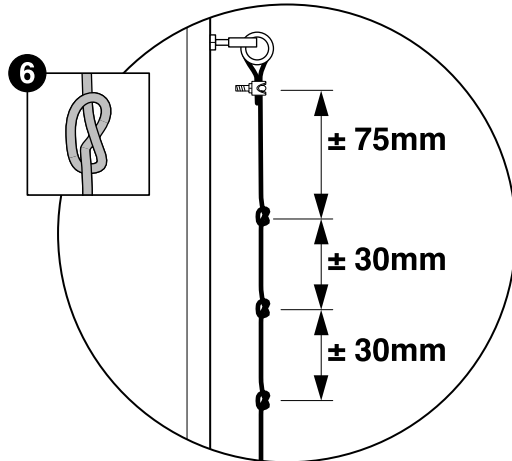
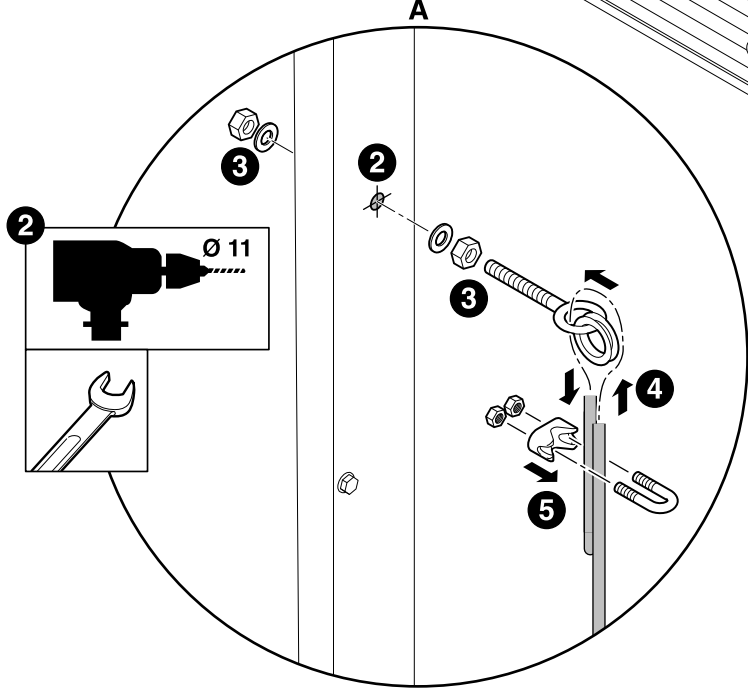
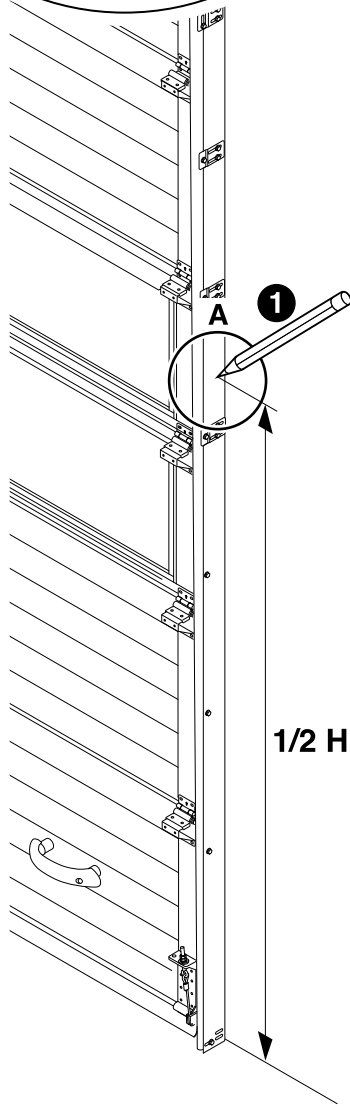
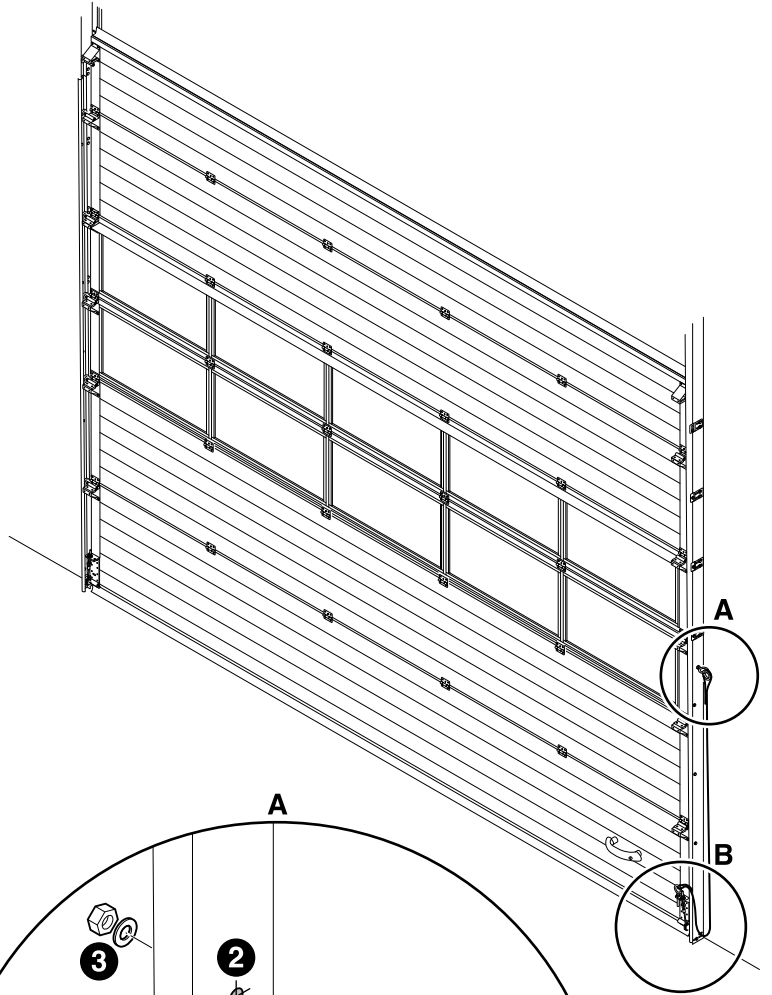
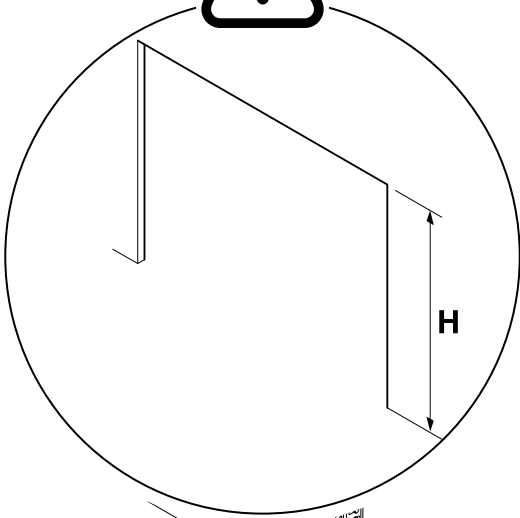
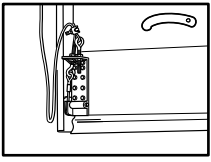


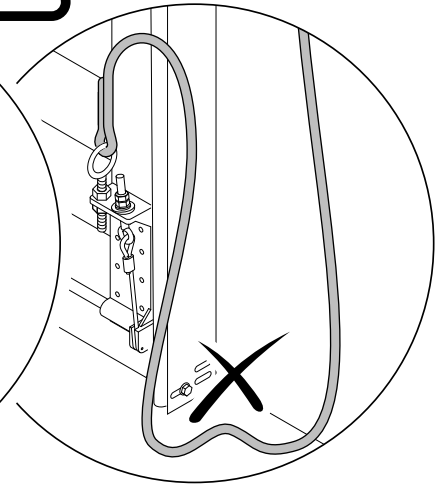
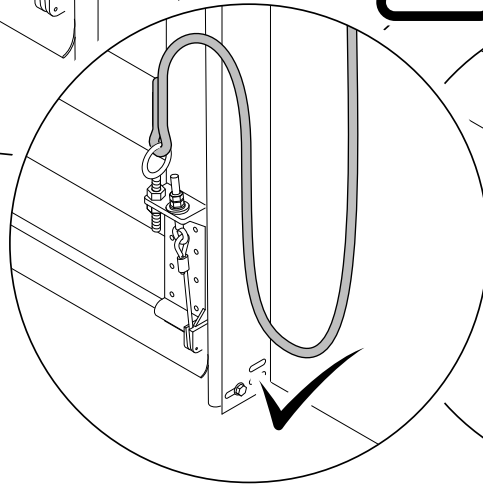
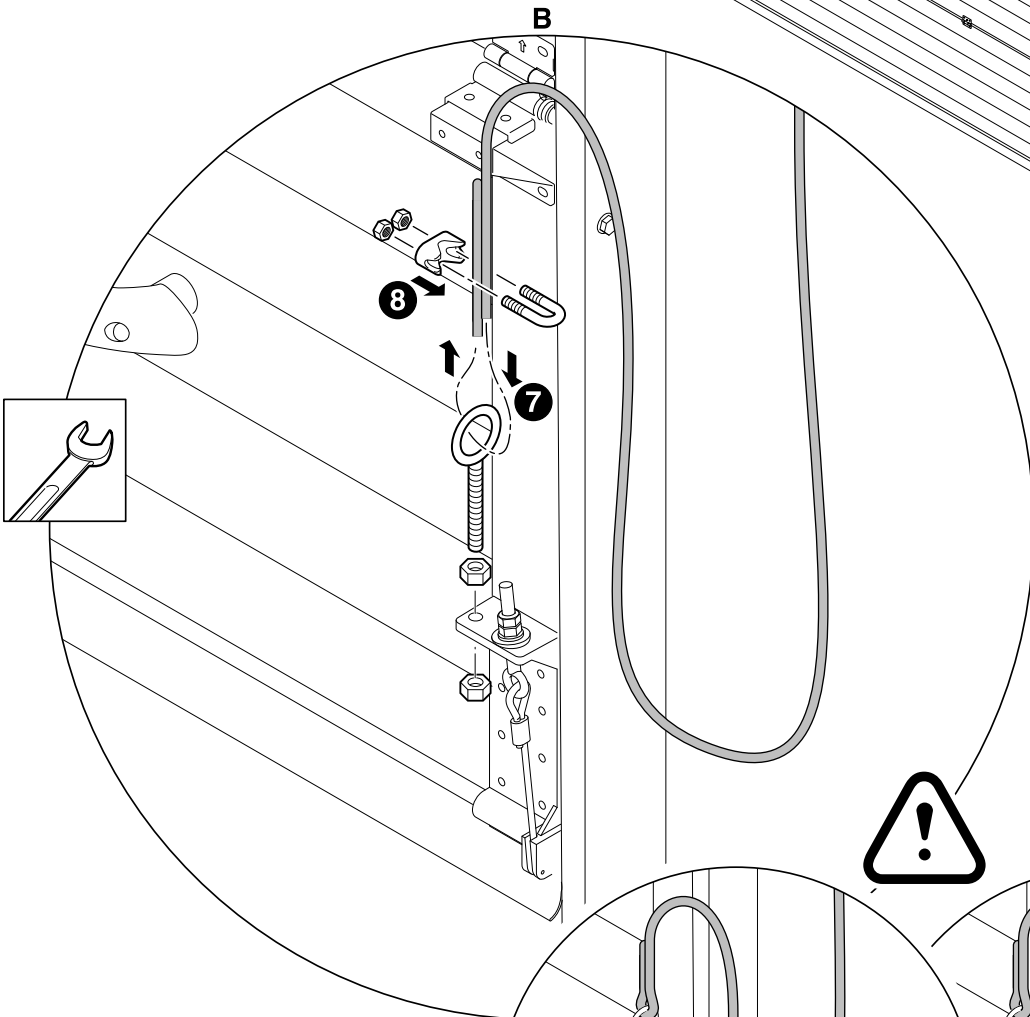
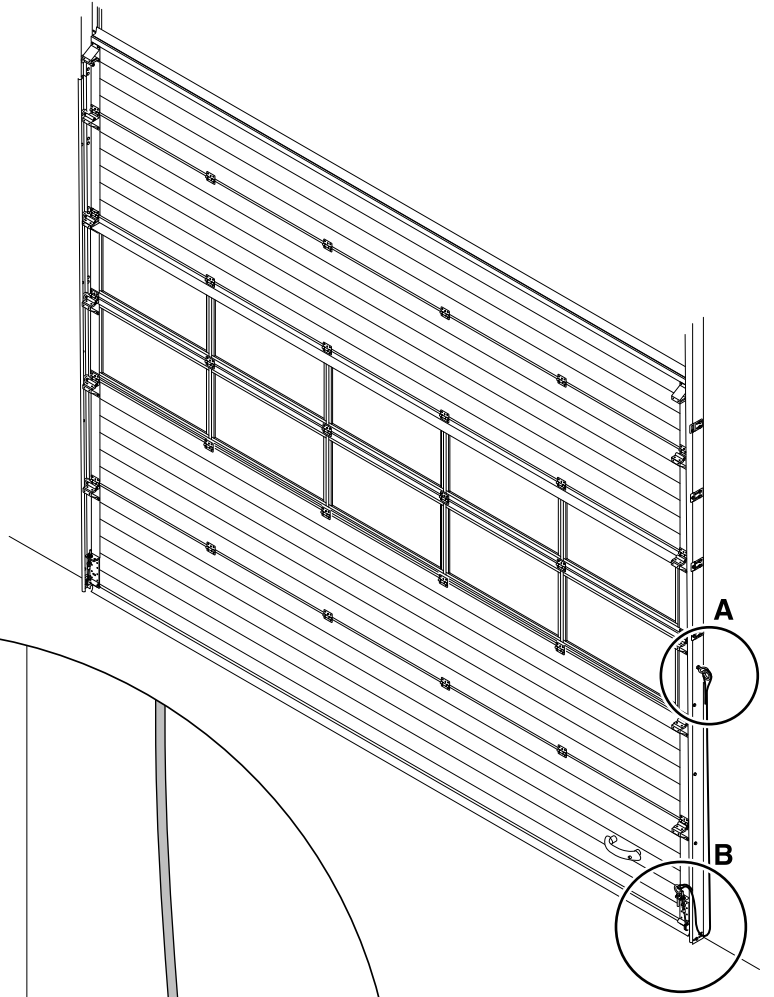
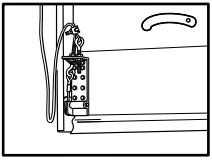
Z x 360°

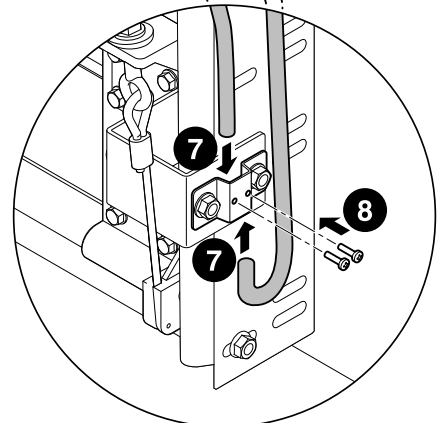
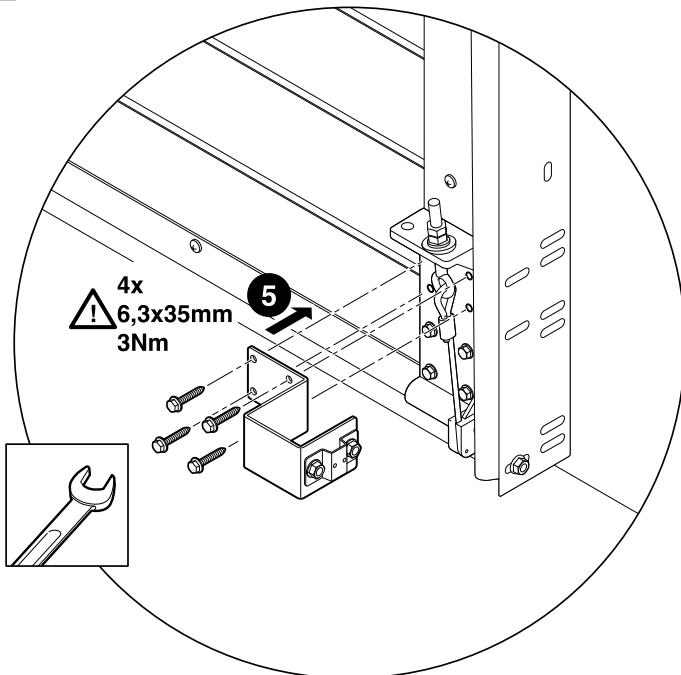
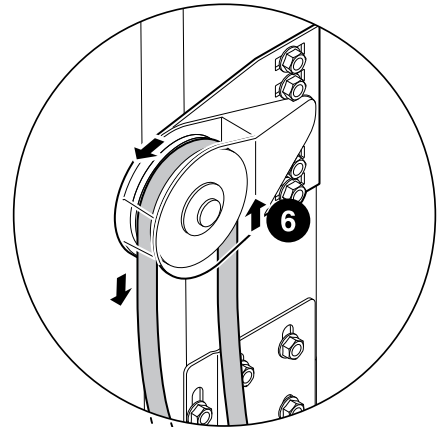
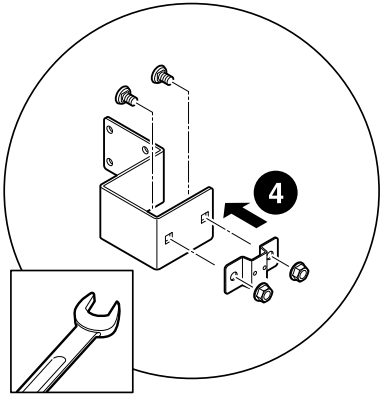
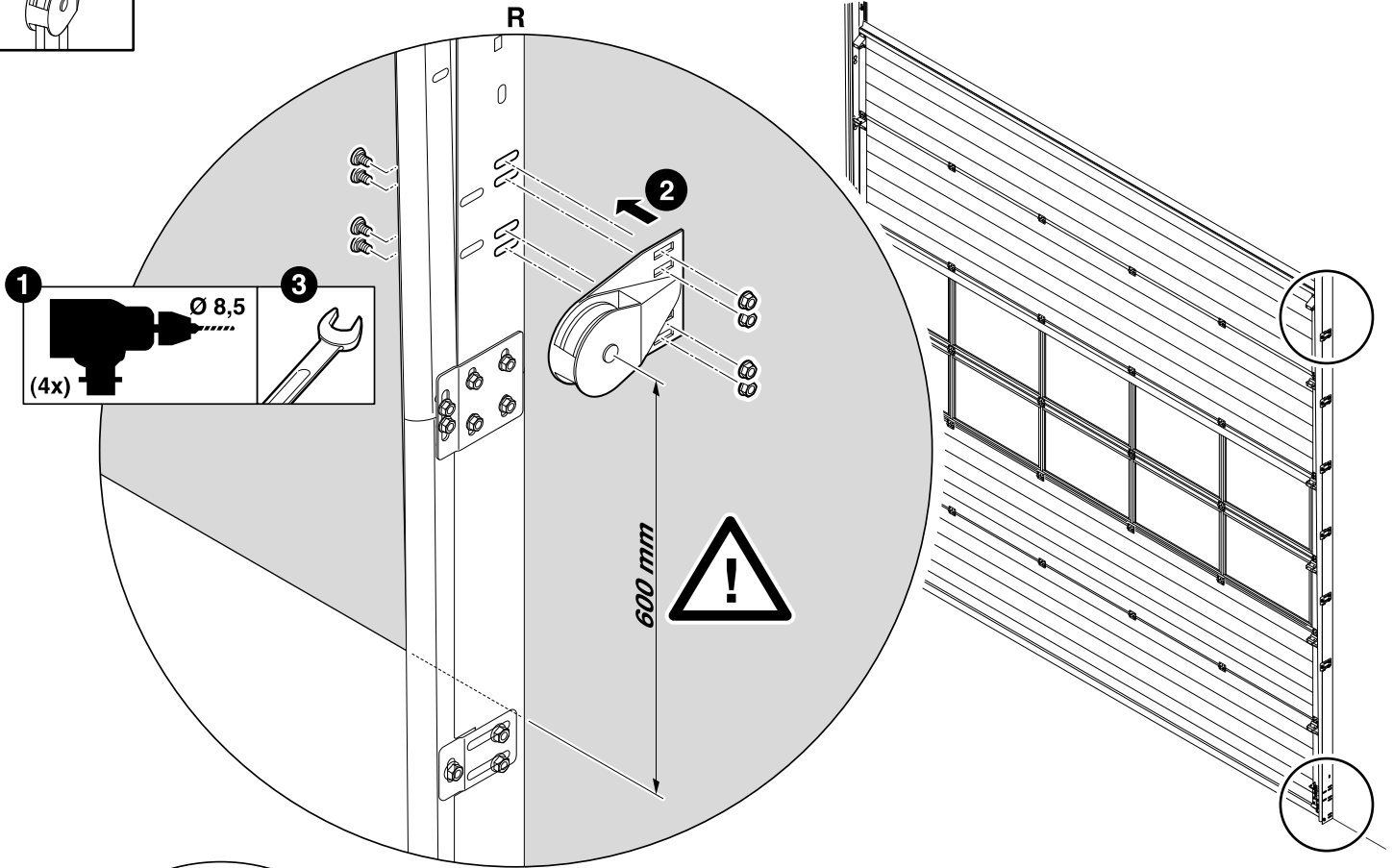
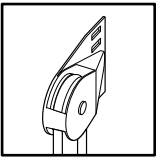


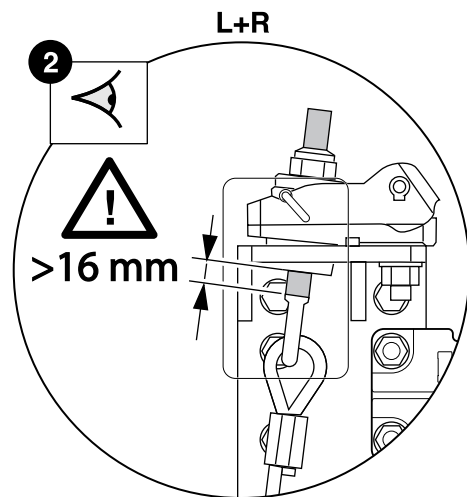
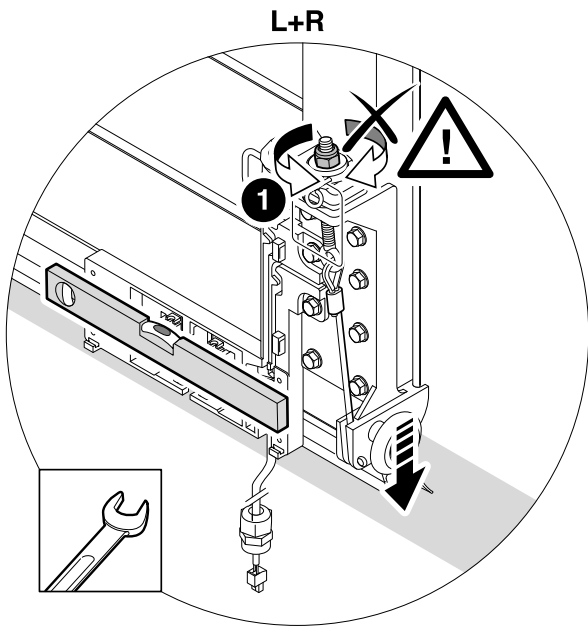
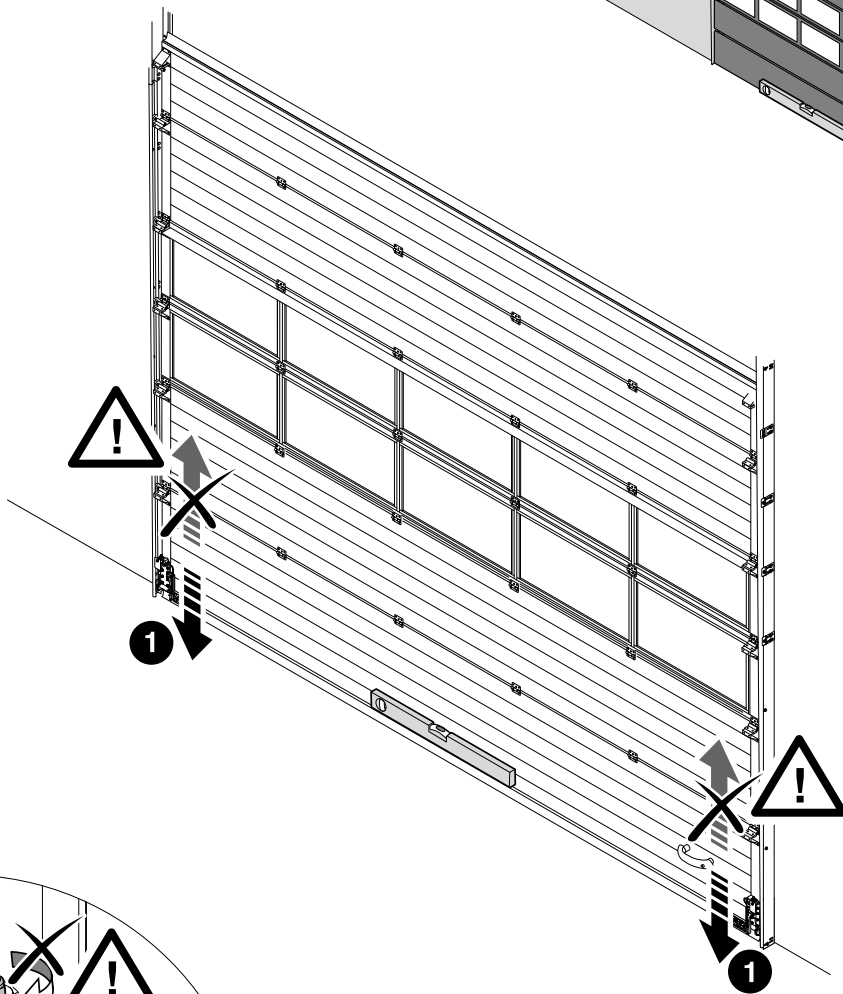
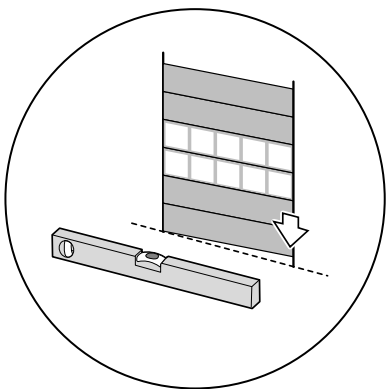
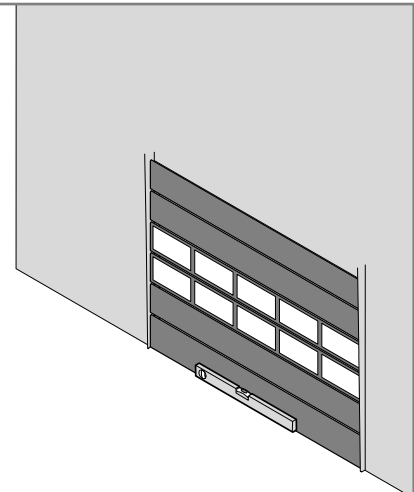
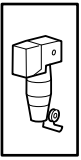
L+R

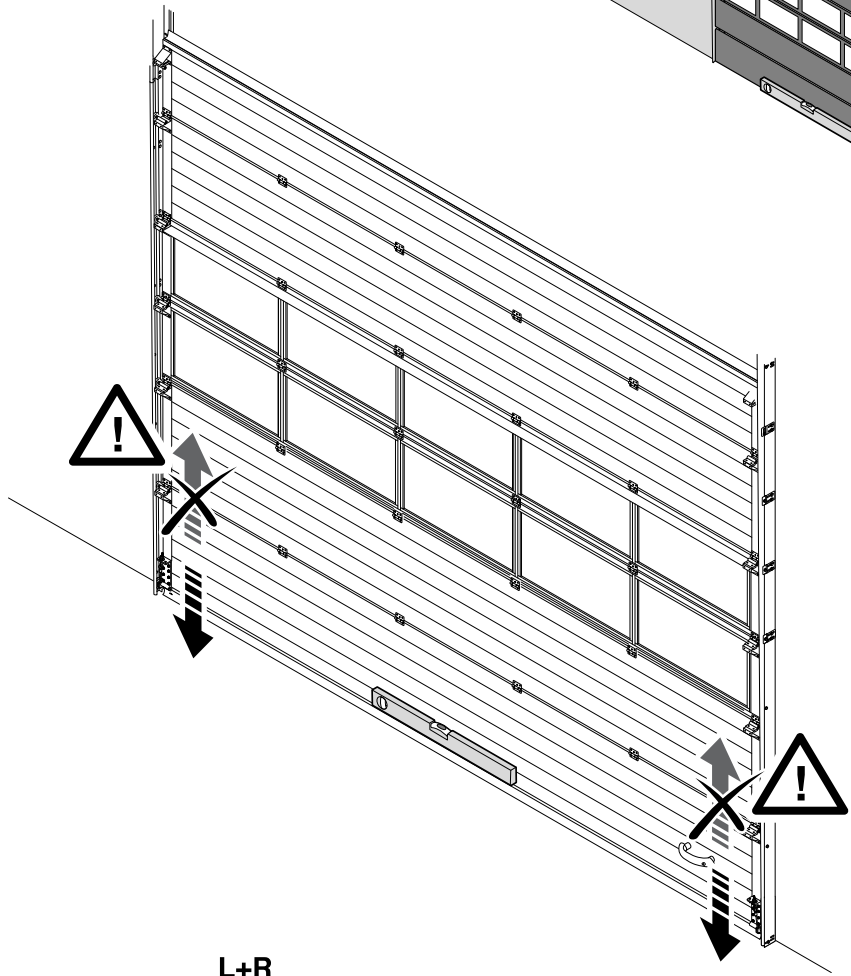
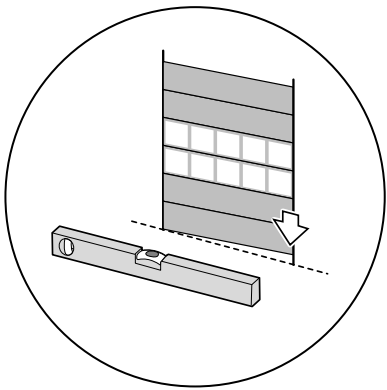
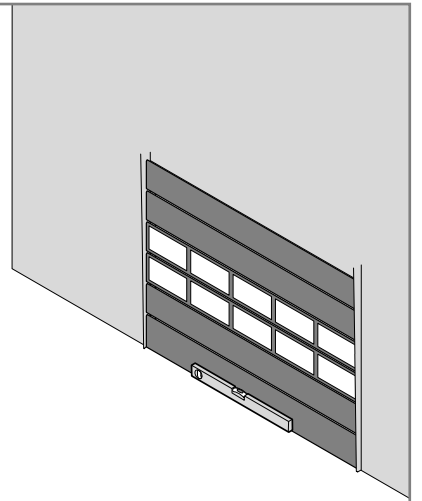
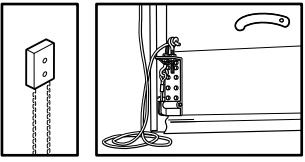




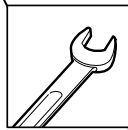
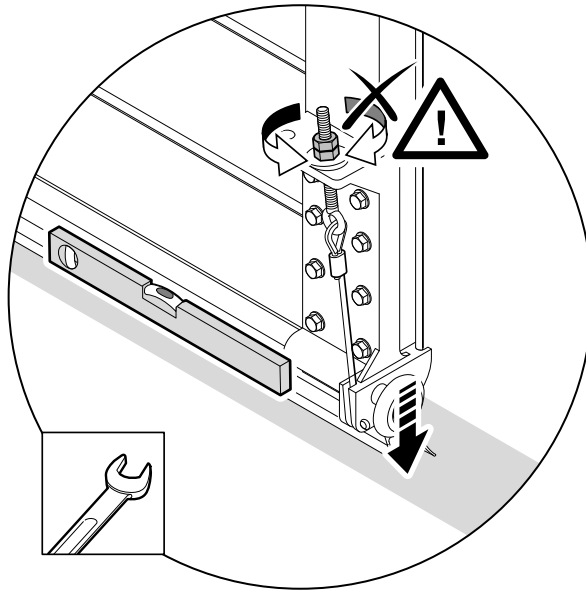


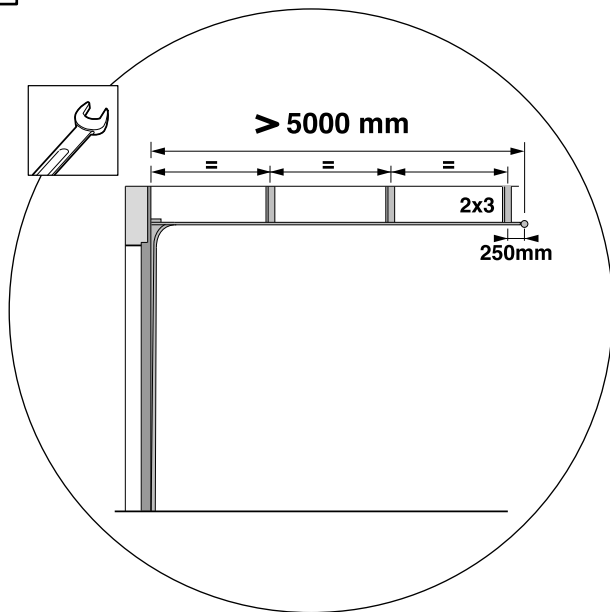
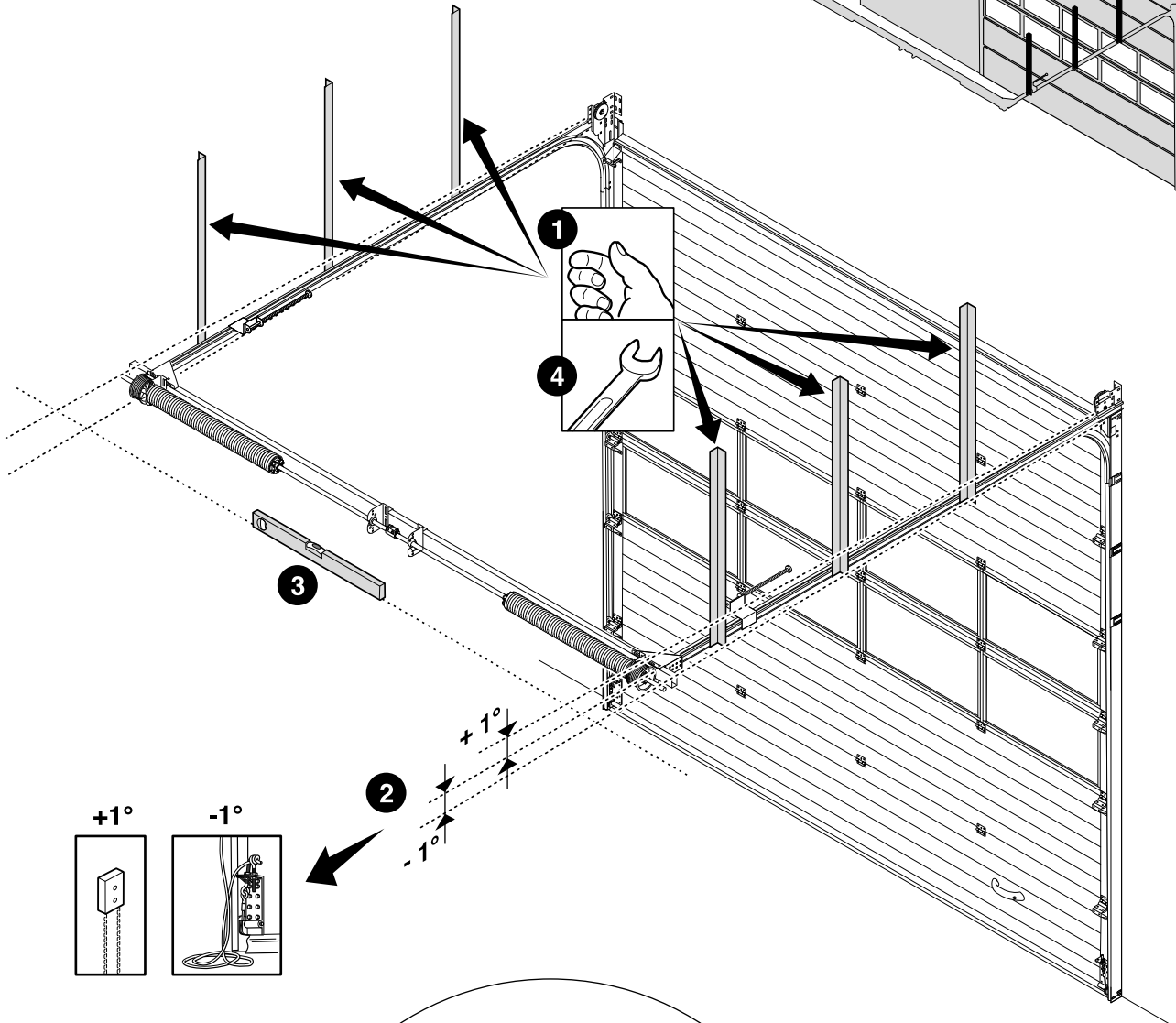
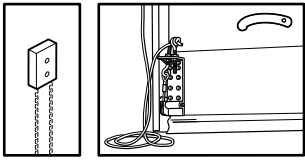




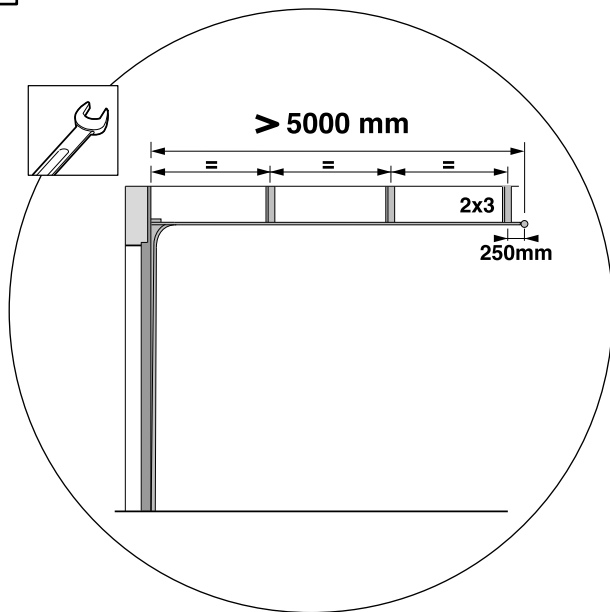
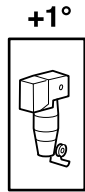
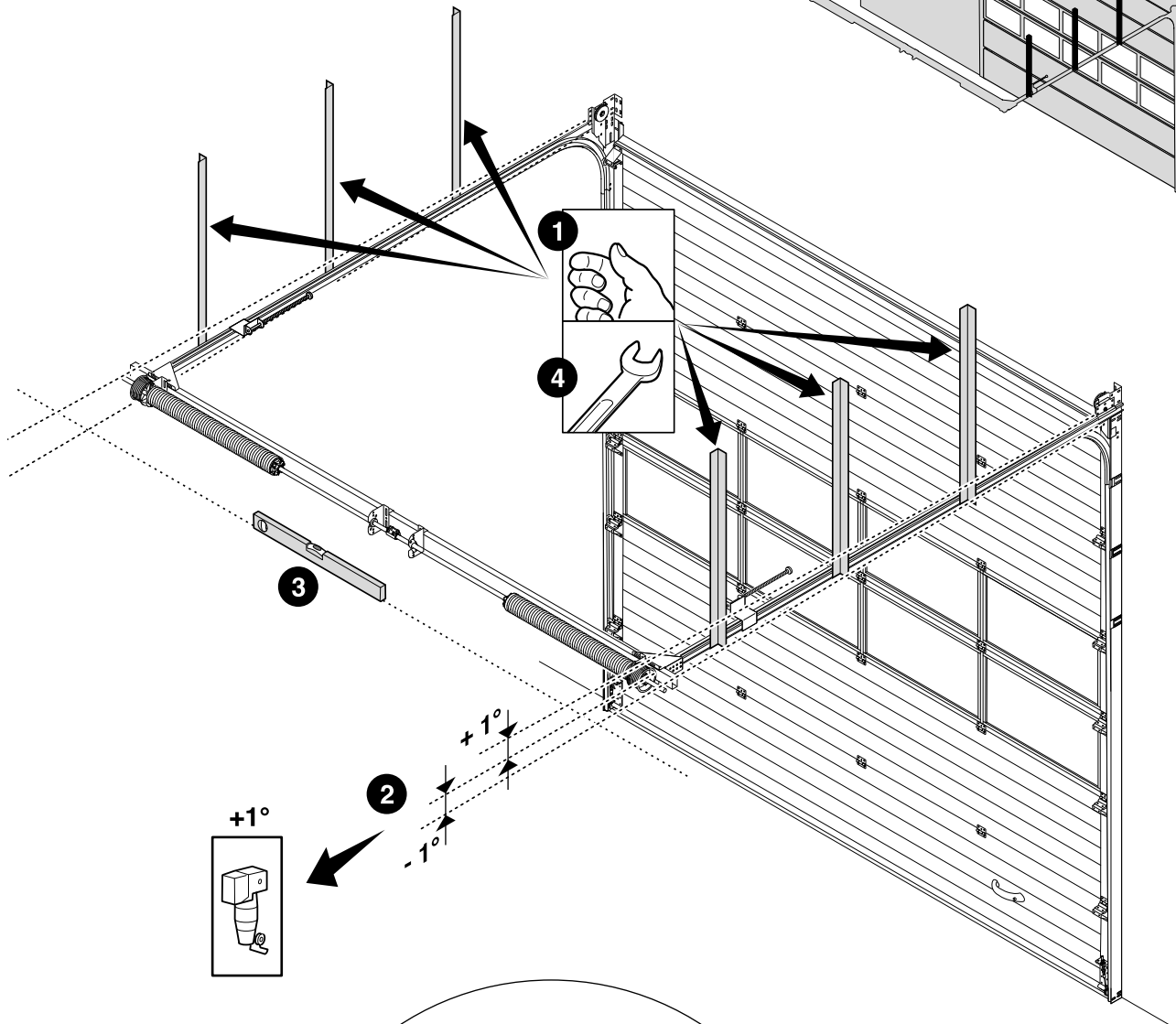
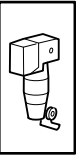


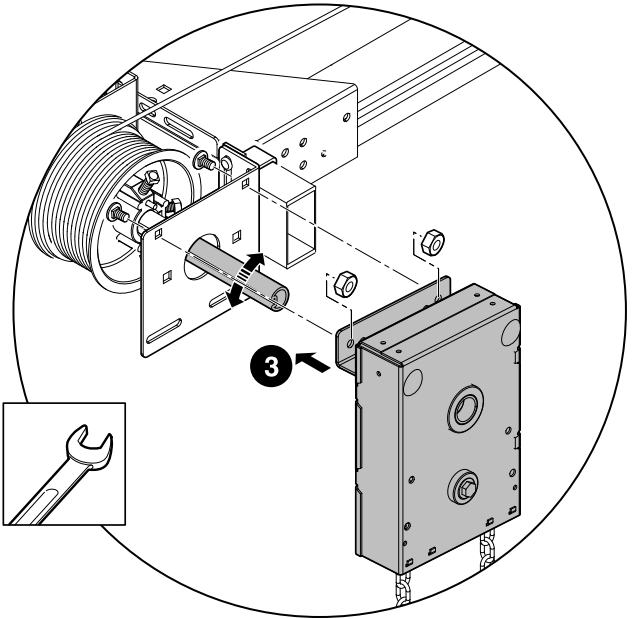
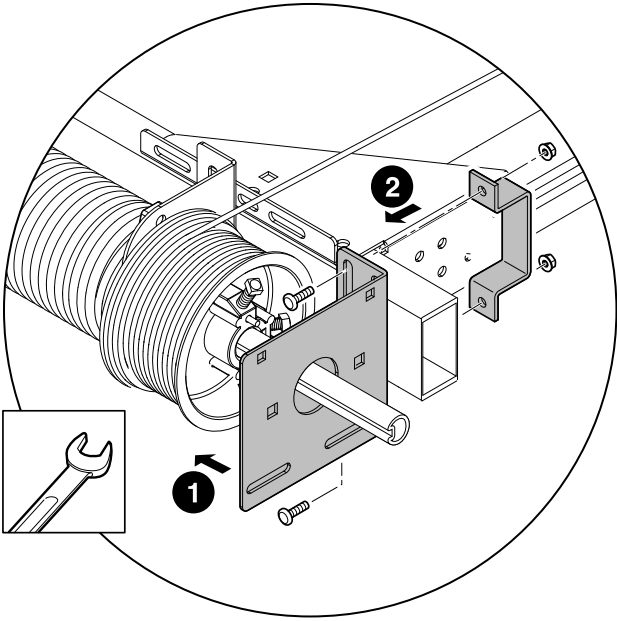
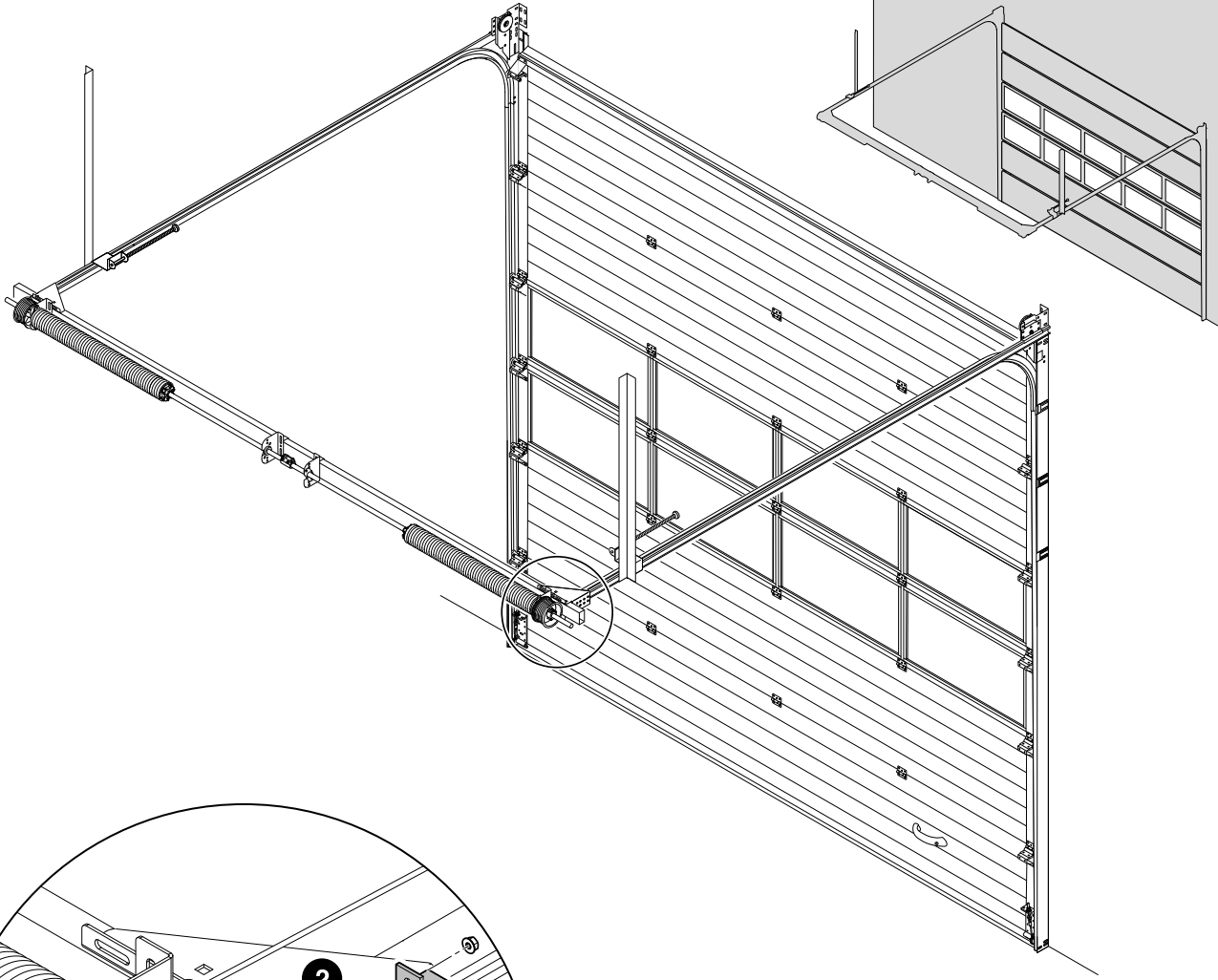
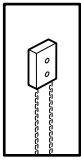
L+R

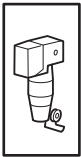




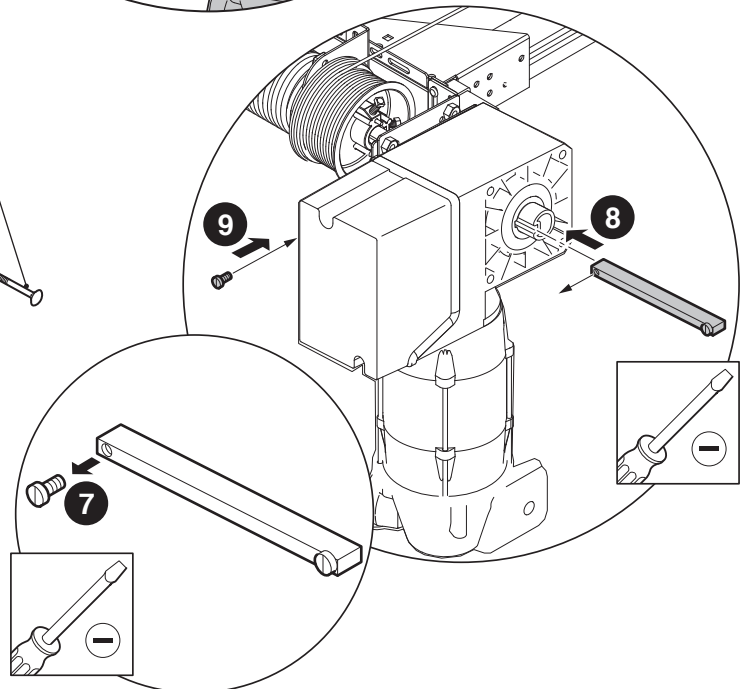
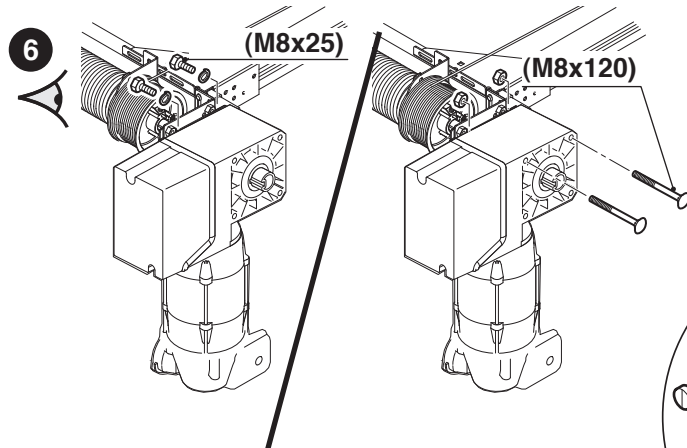
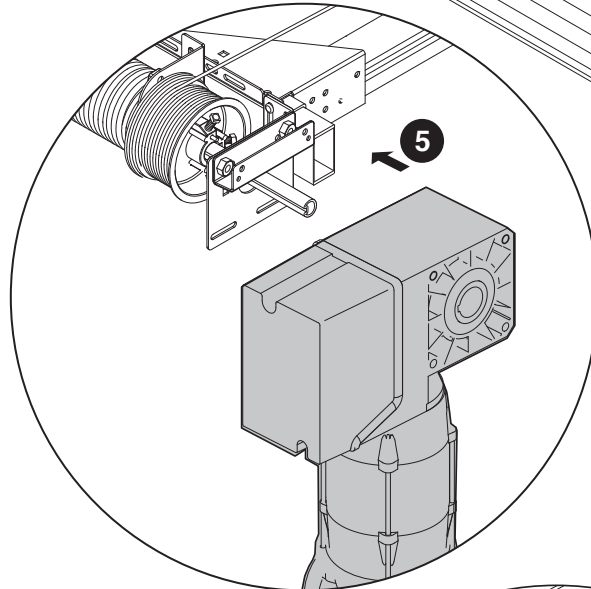
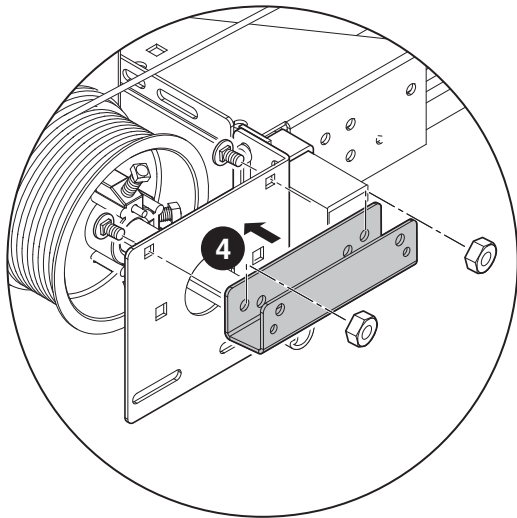
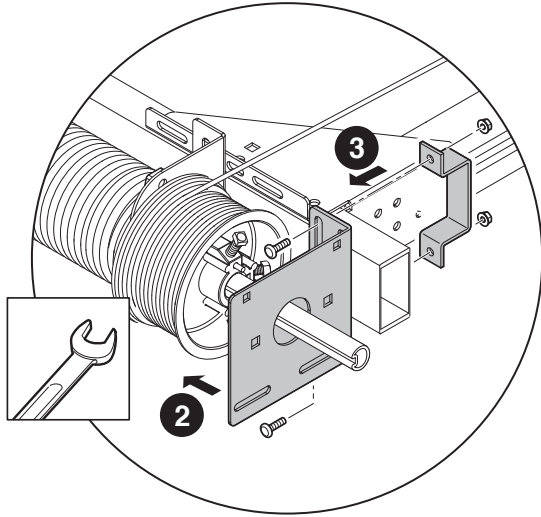
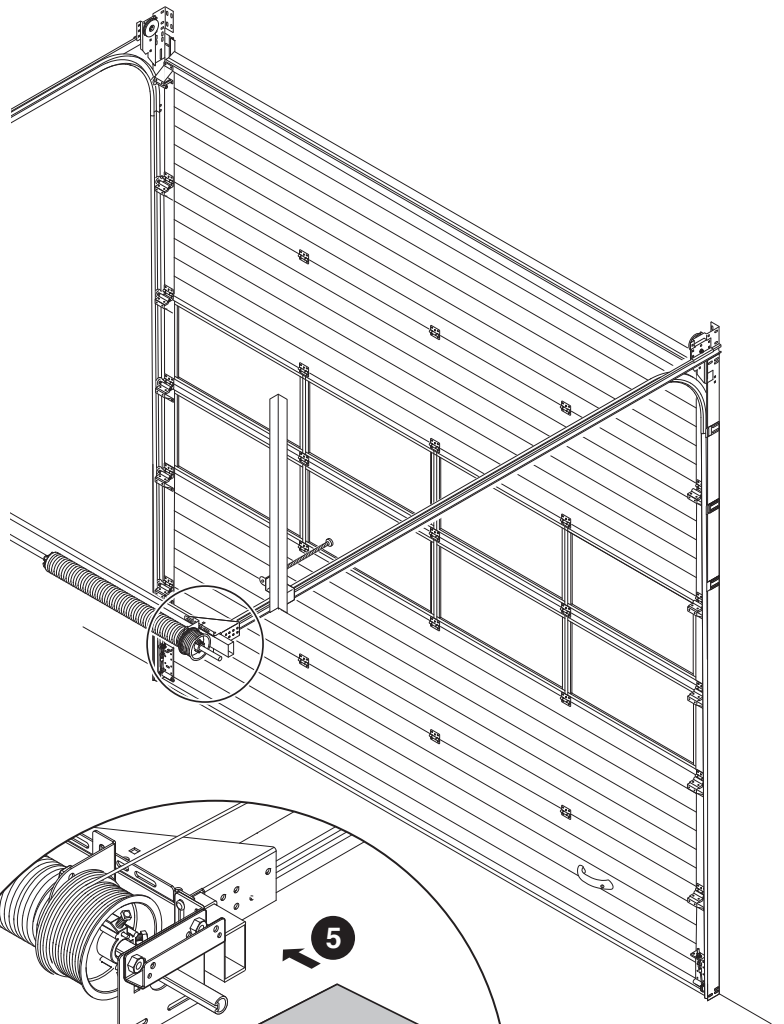
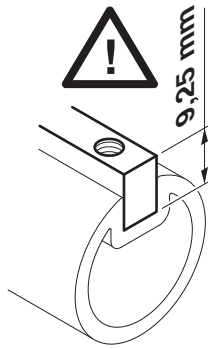
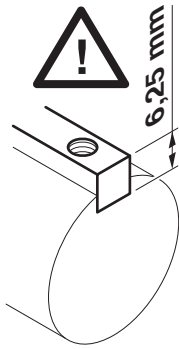


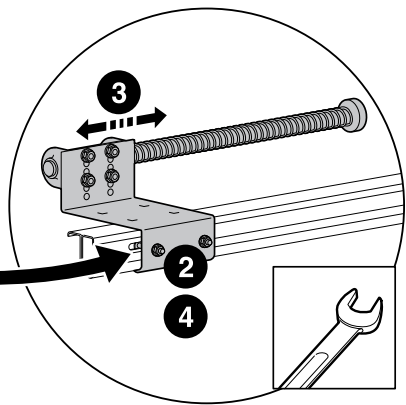
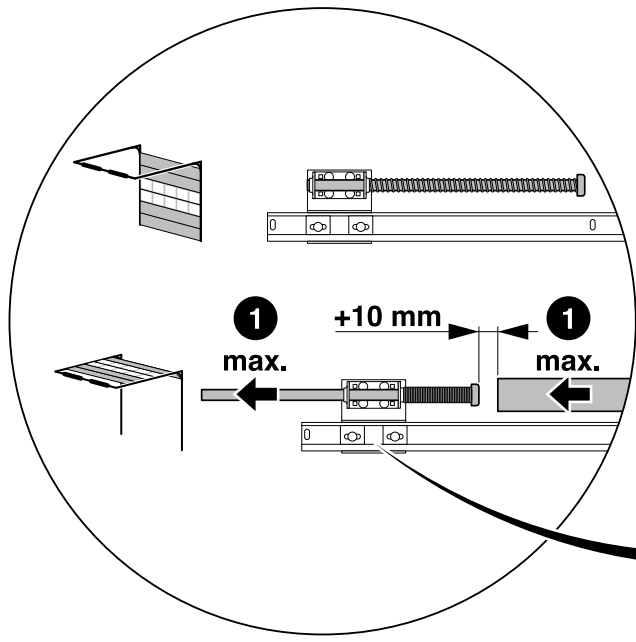
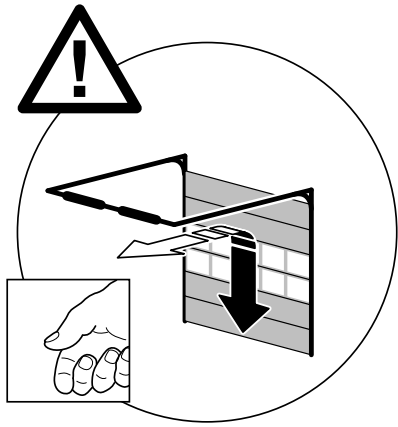
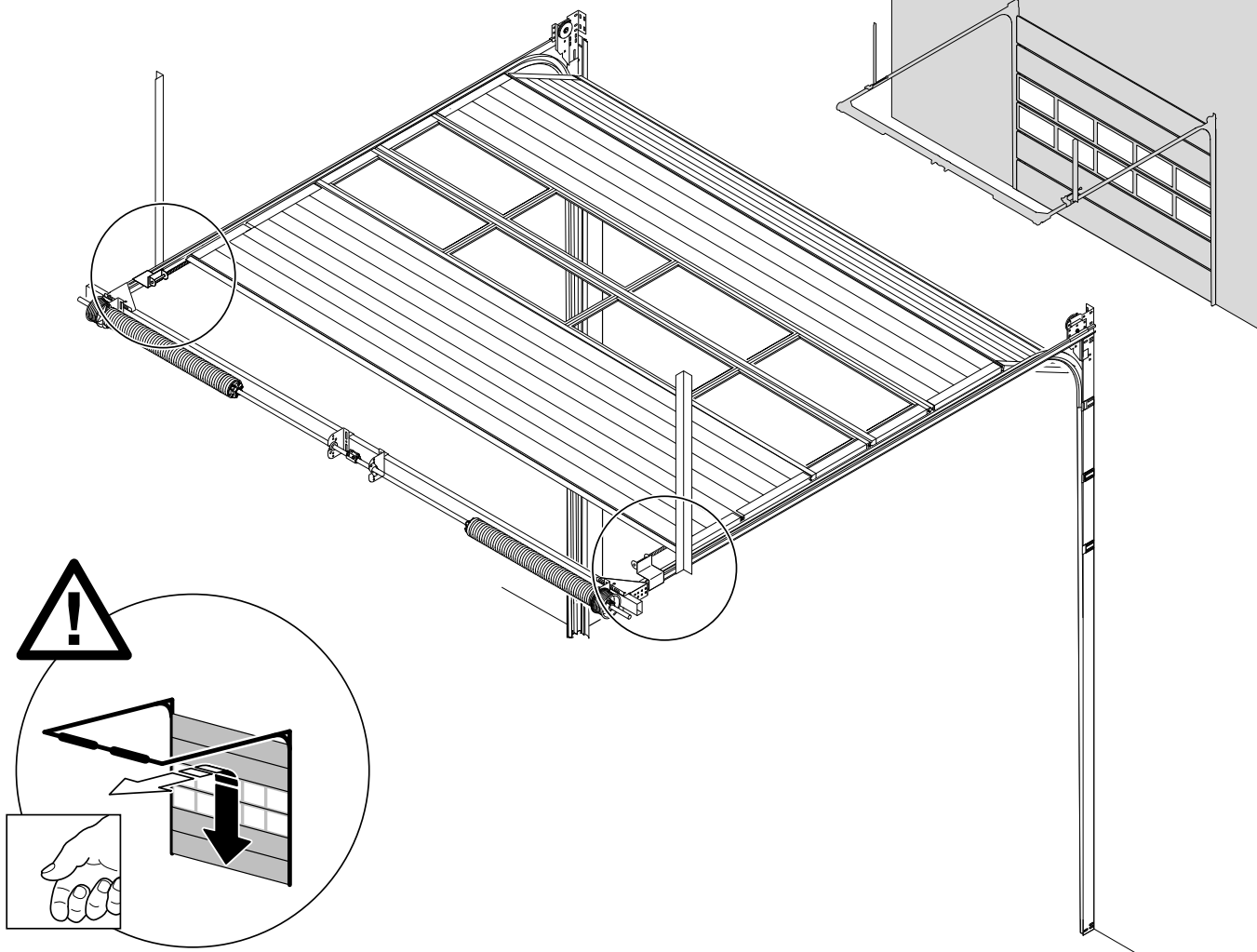
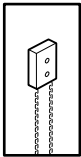


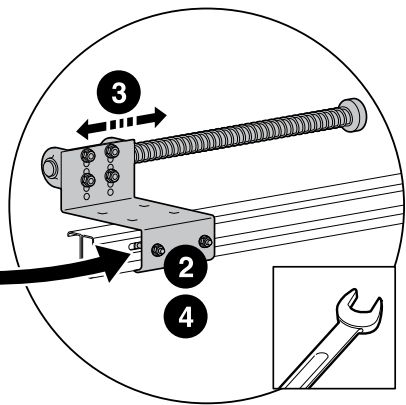
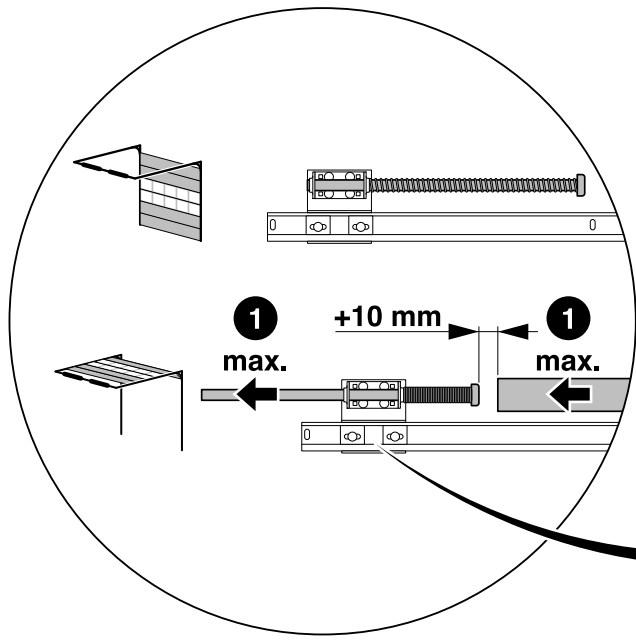
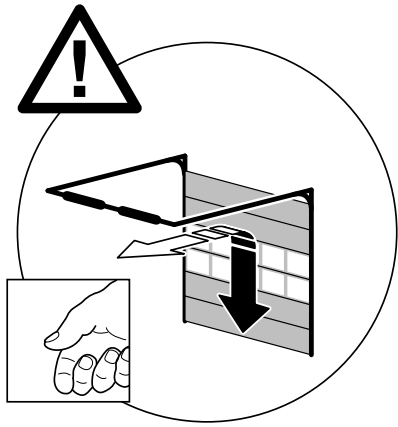
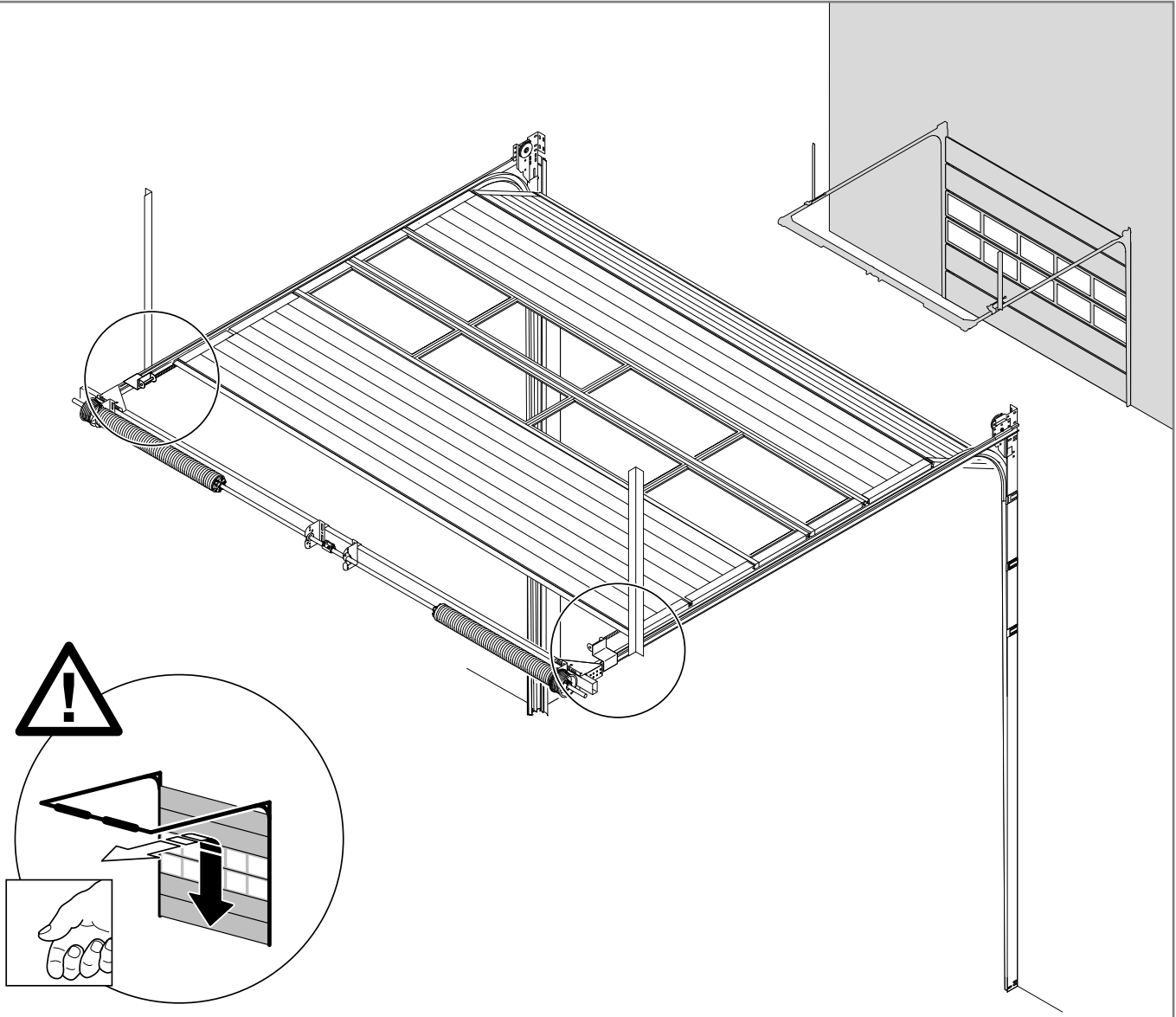
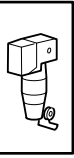


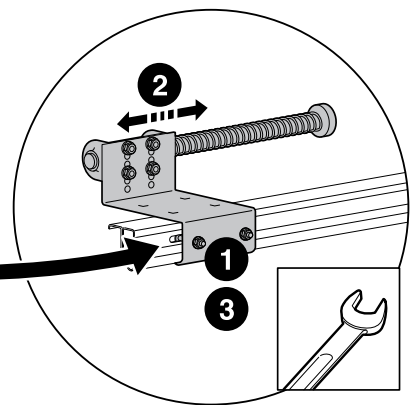
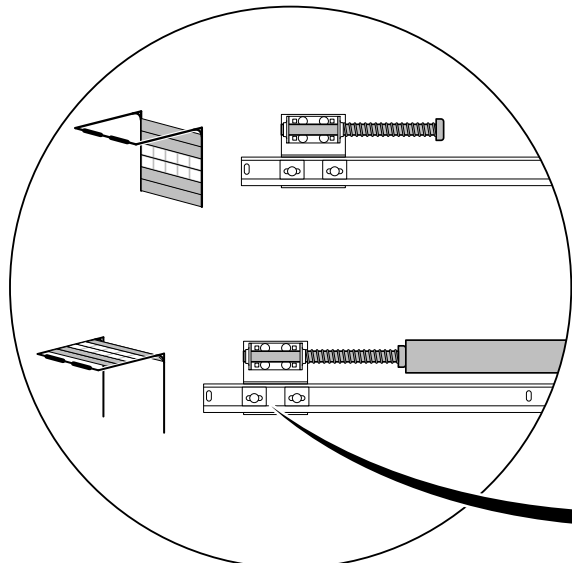
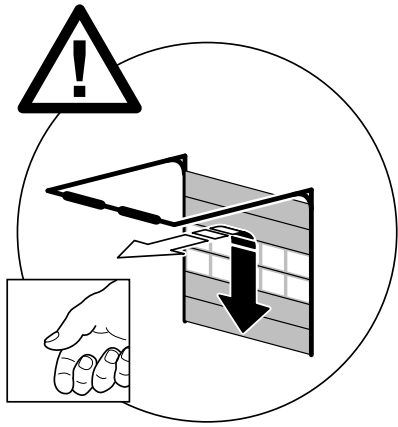
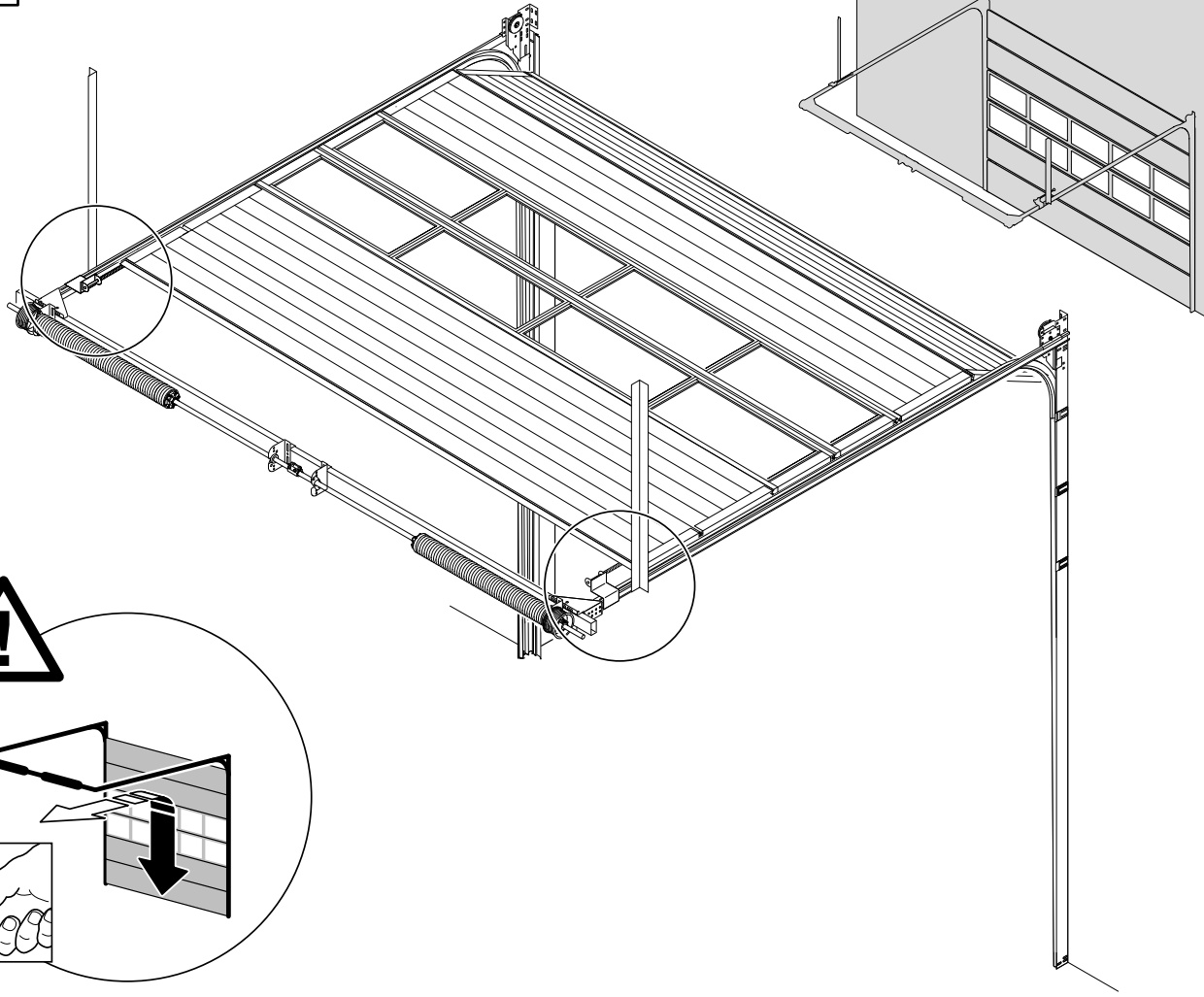
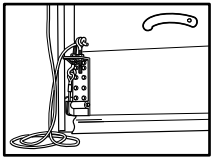


1

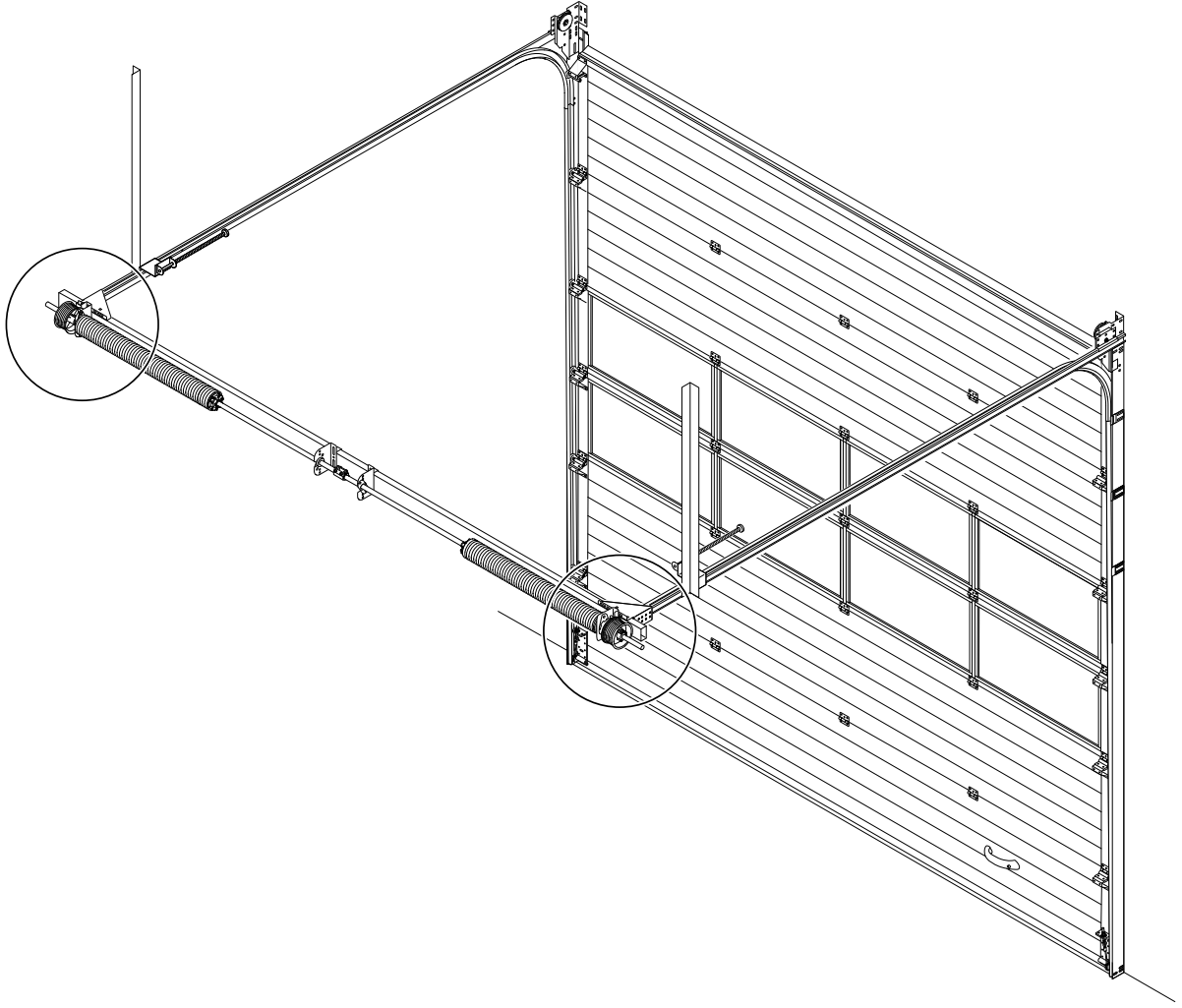
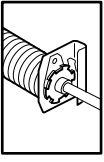




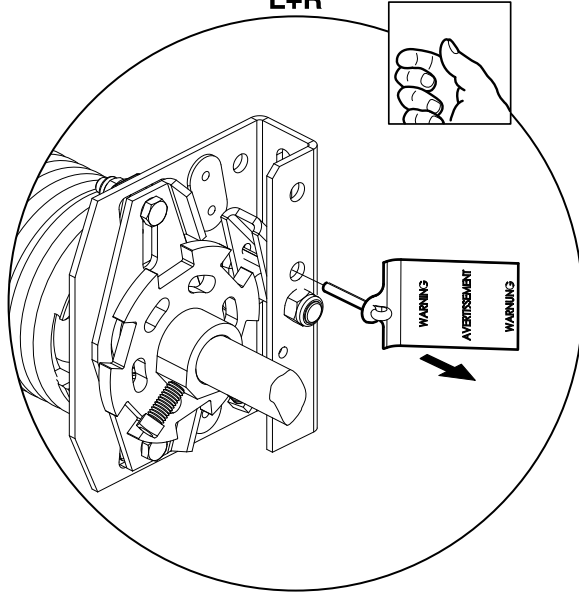


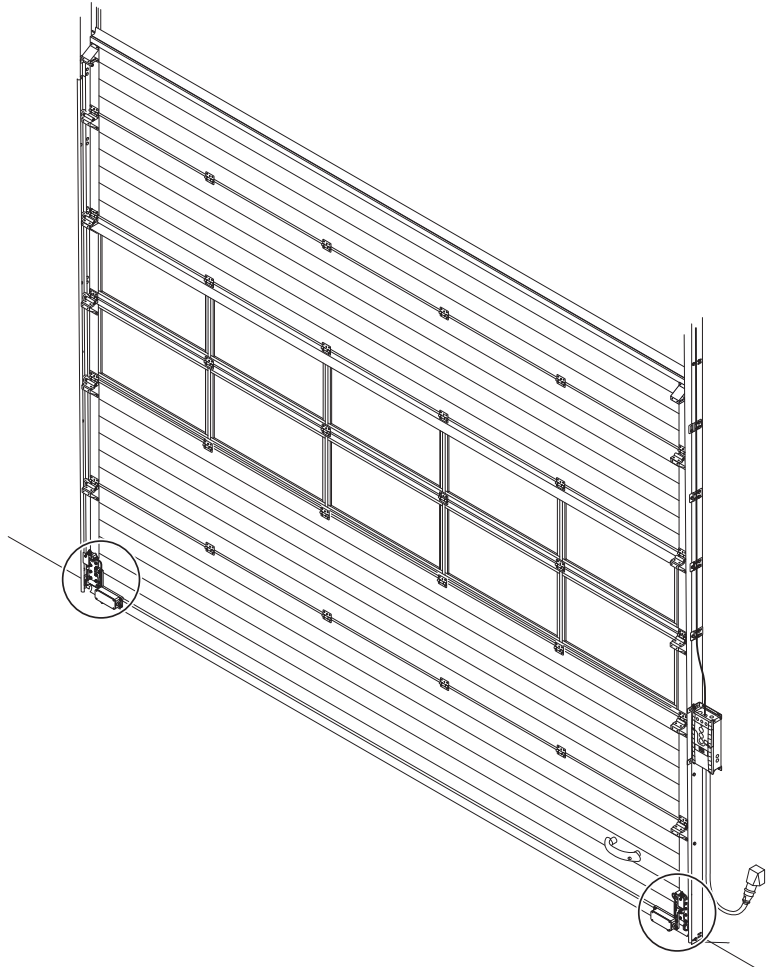
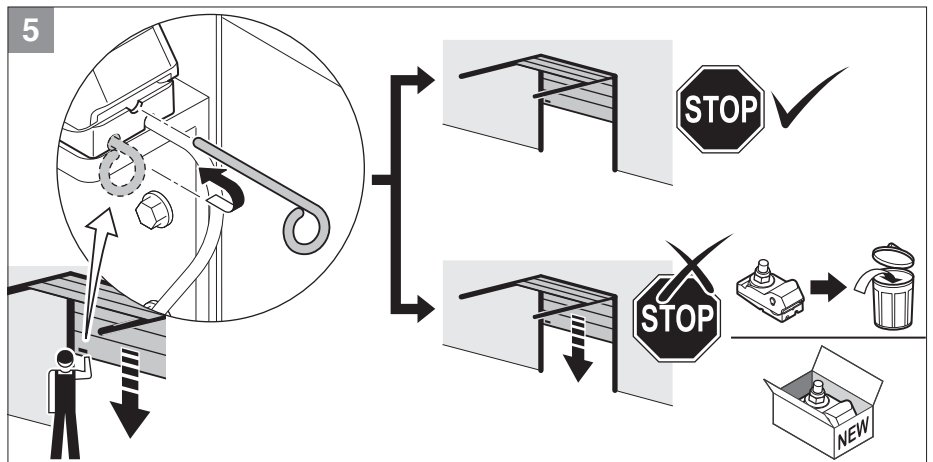
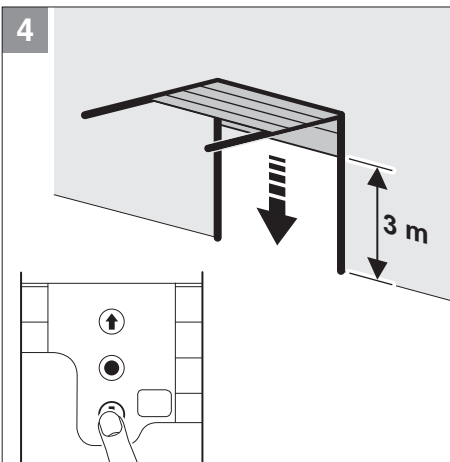
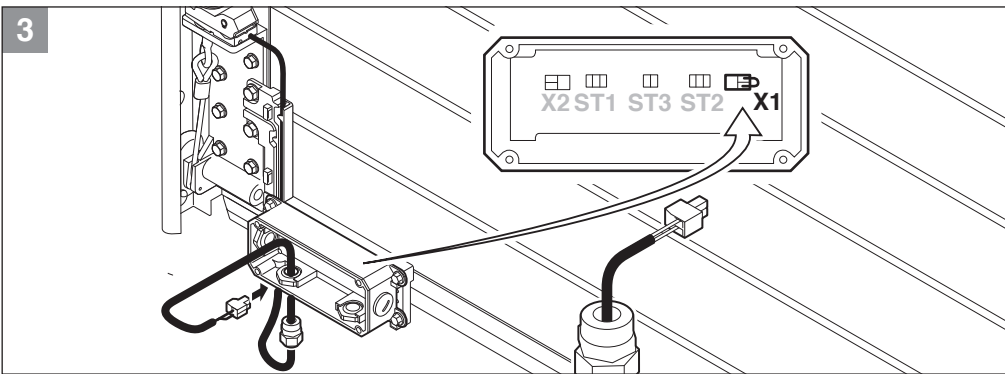
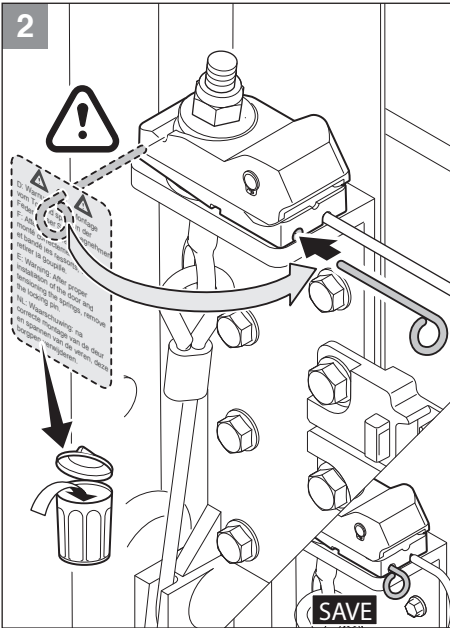
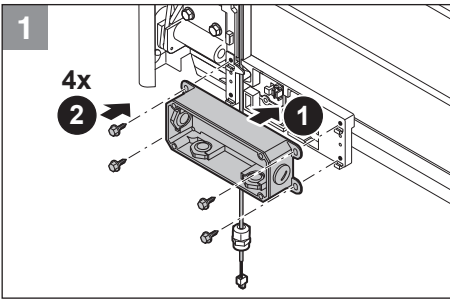






L+R







© Copyright Novoferm Nederland B.V.

This manual was prepared and issued by Novoferm Nederland B.V. the Netherlands. It is supplied to approved agents of Novoferm Nederland B.V. All rights are reserved. The information in this document is the property of Novoferm Nederland B.V., the Netherlands. Disclosure of this information or any part of it to third parties is prohibited, except with prior and express written permission of Novoferm Nederland B.V., the Netherlands.