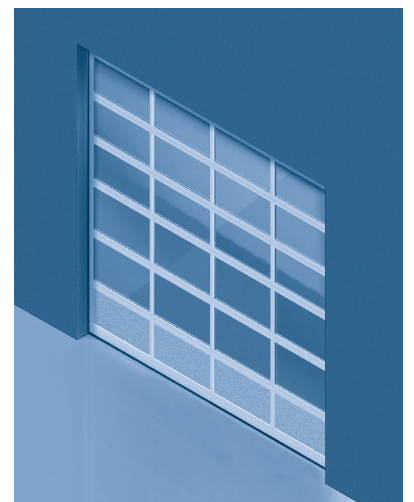
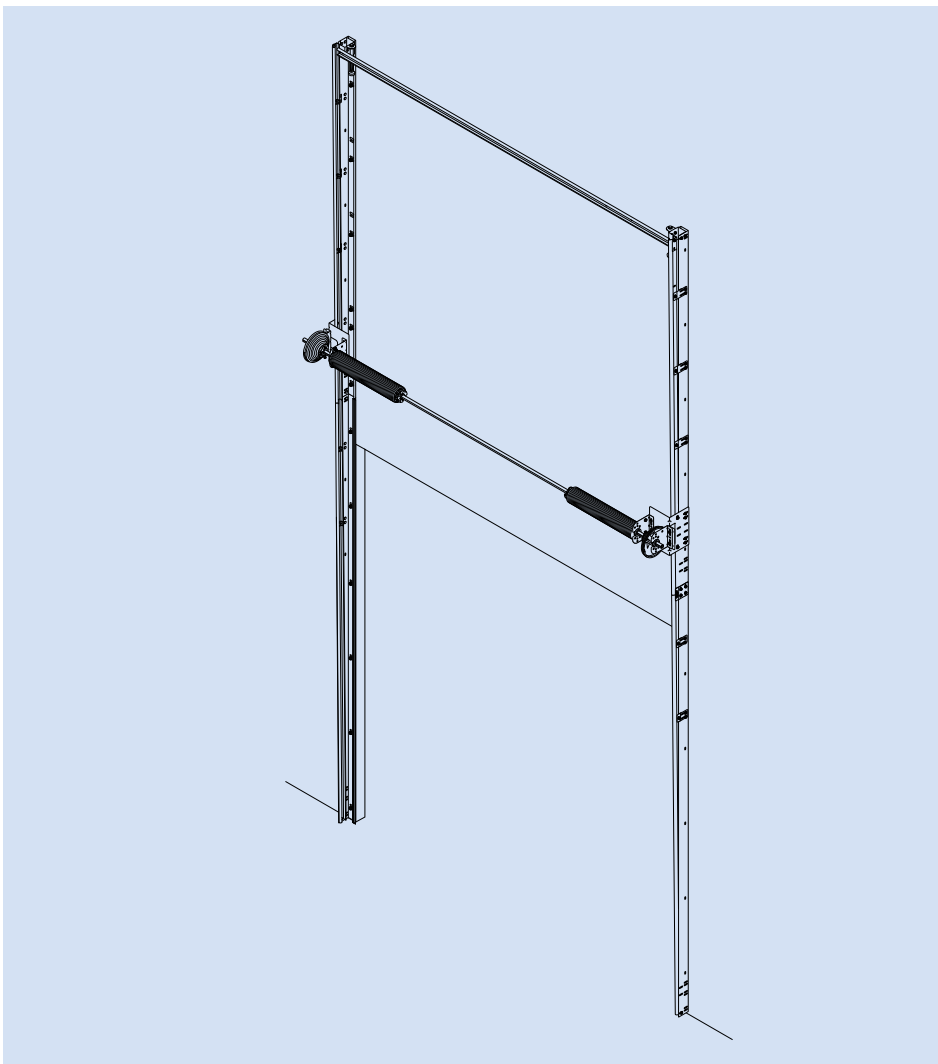
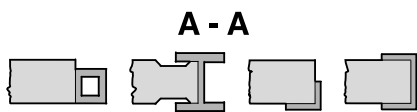
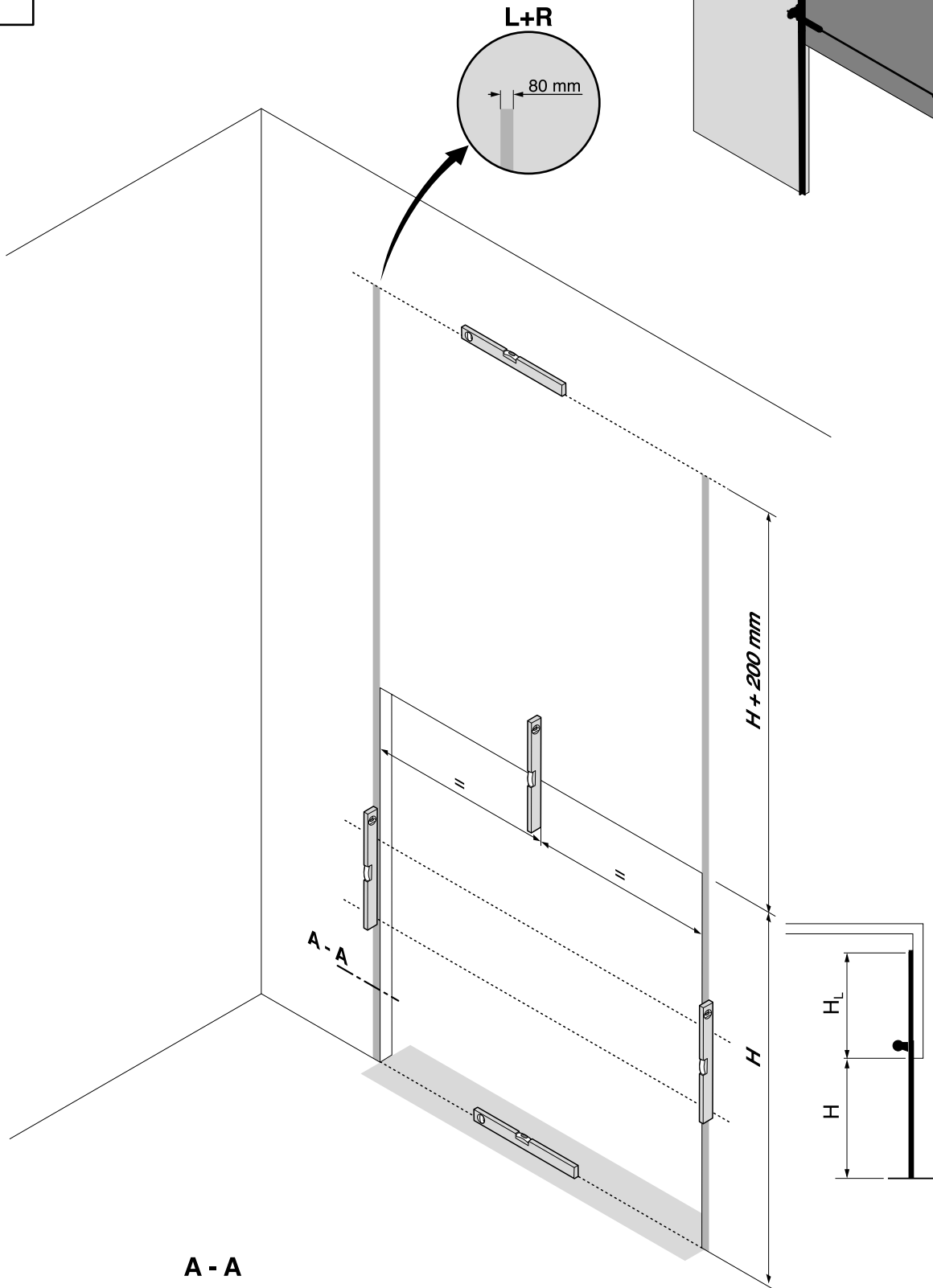
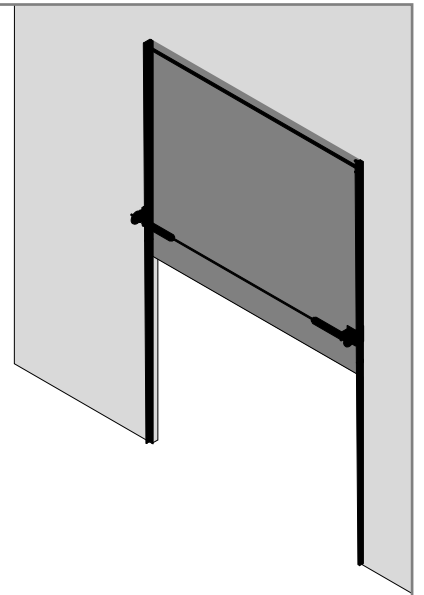
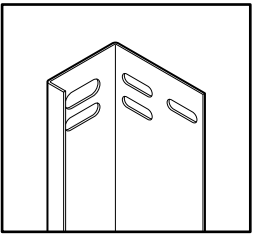
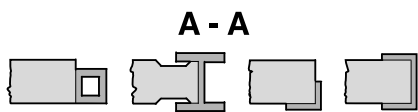
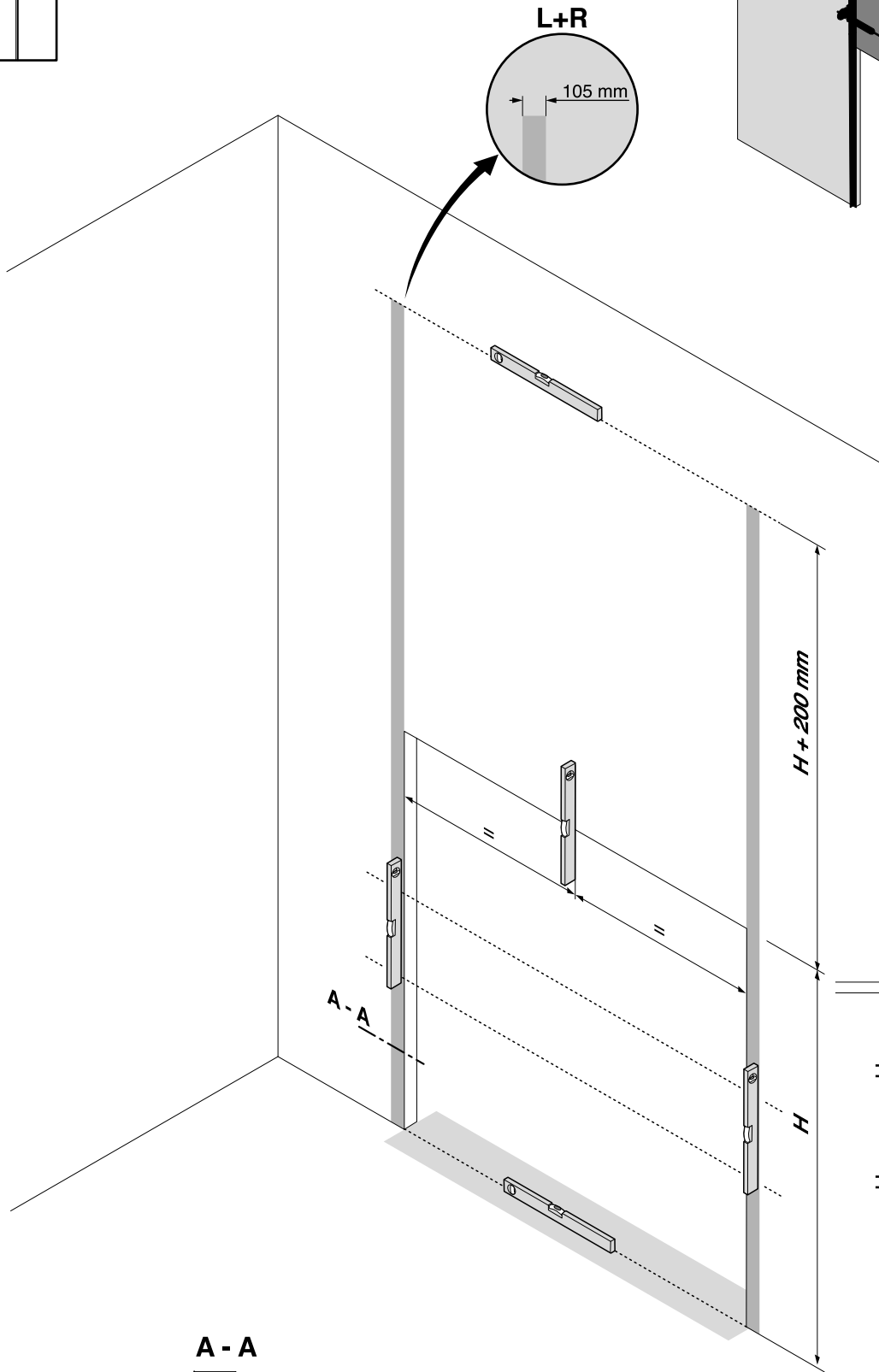
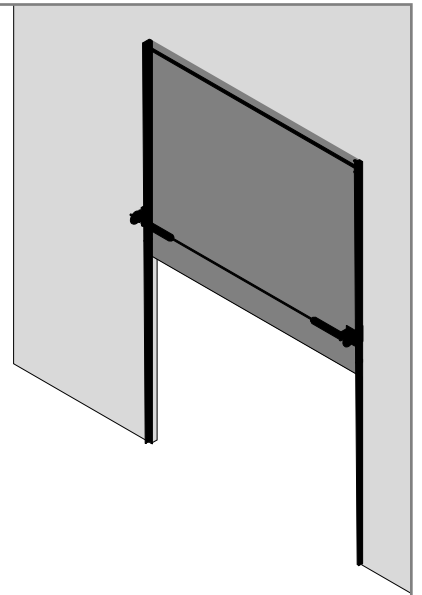
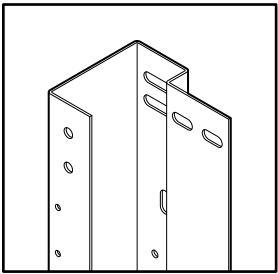
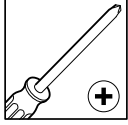
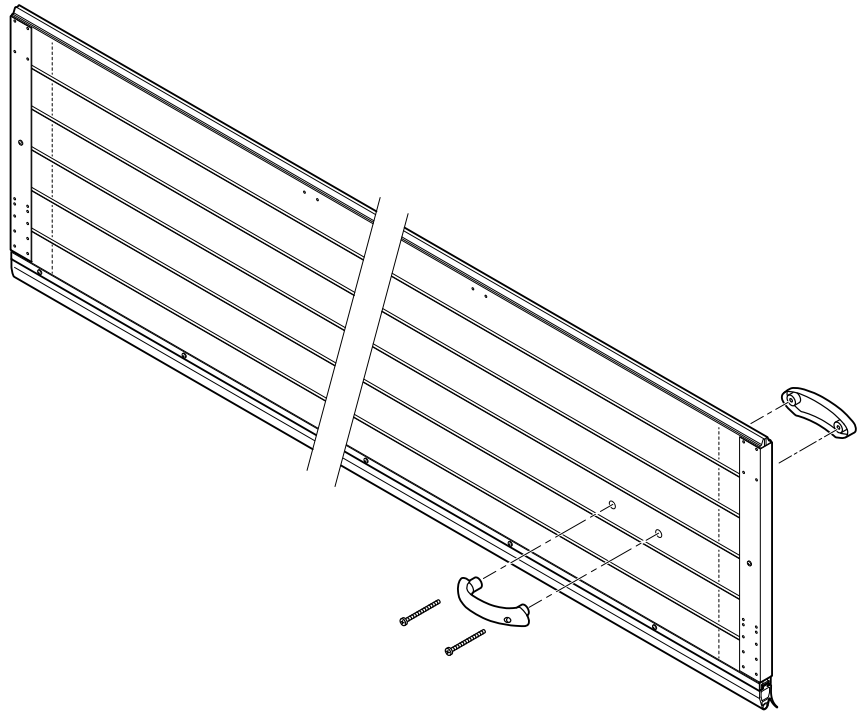
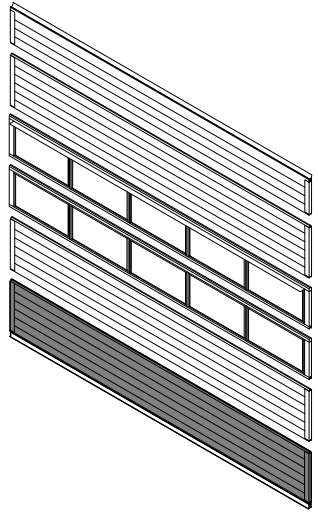


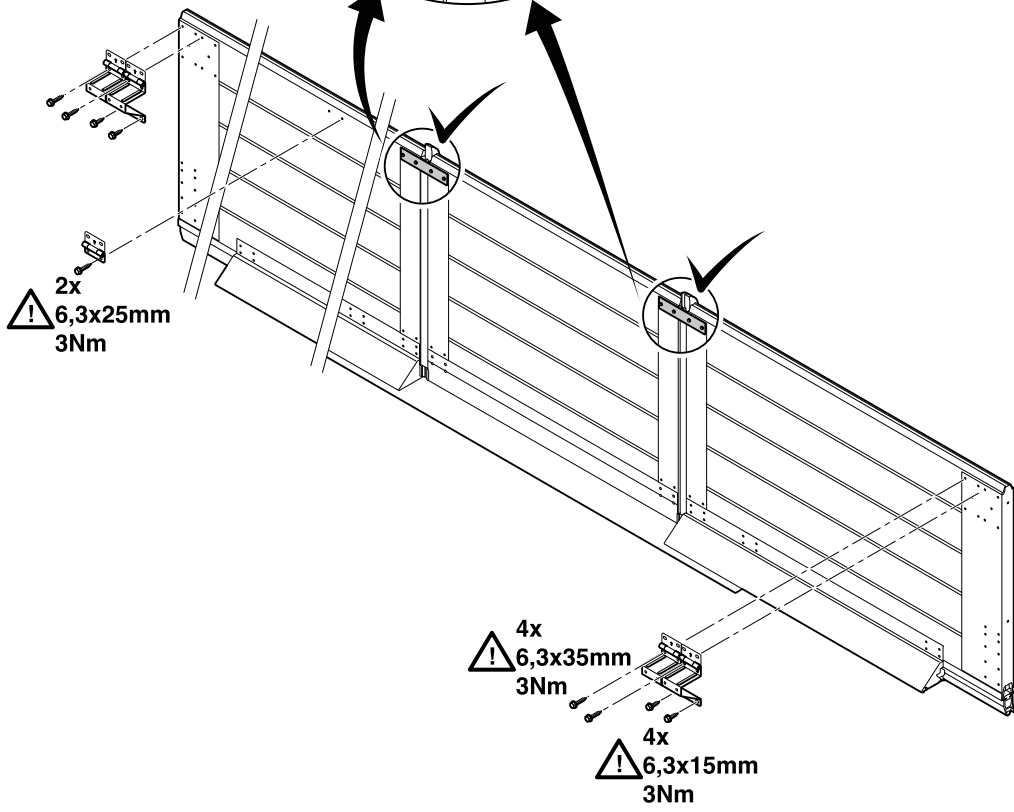
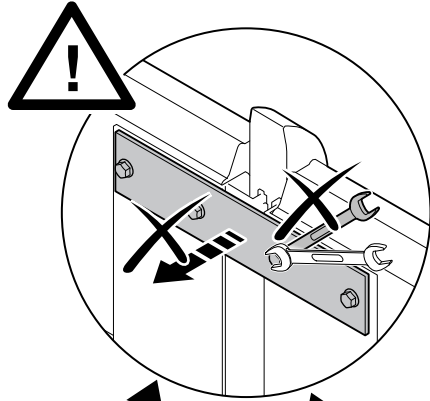
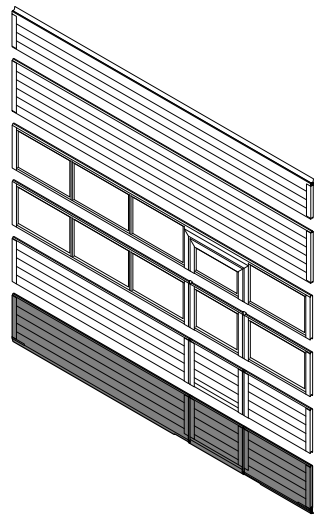
T 500 DS

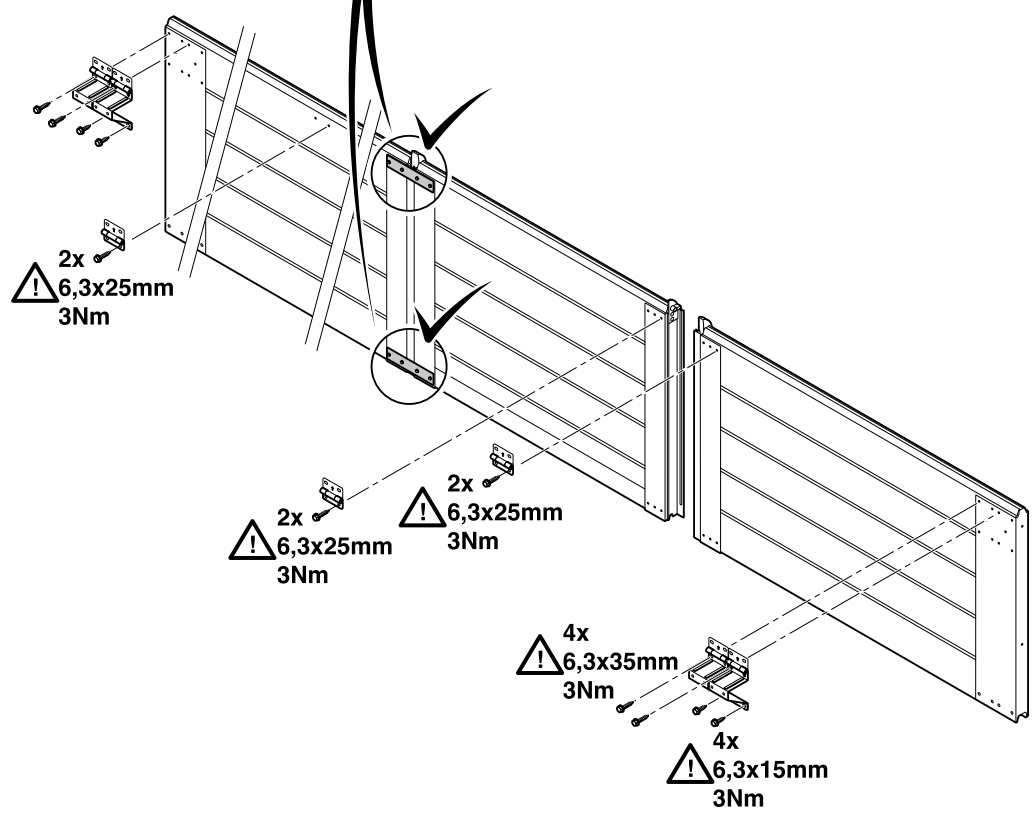
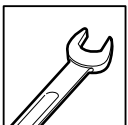
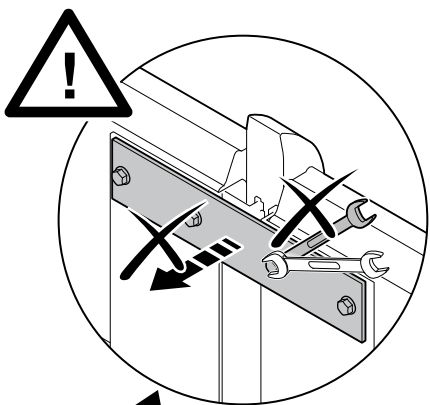
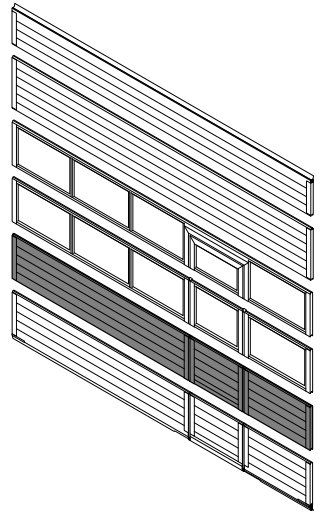


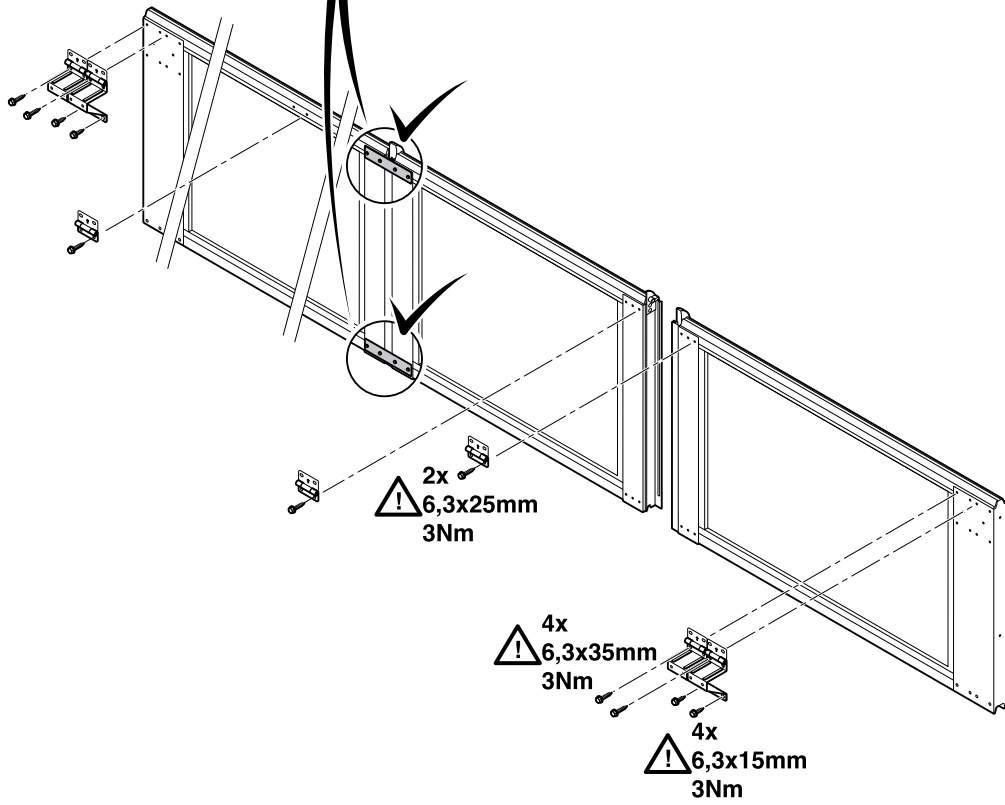
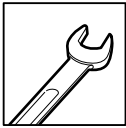
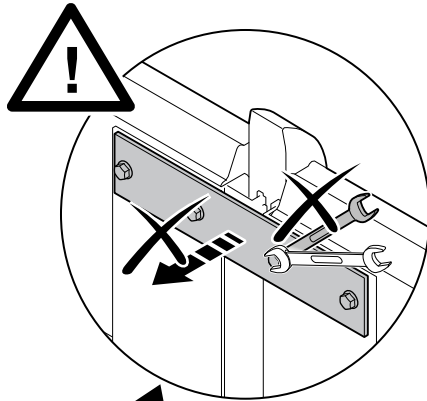
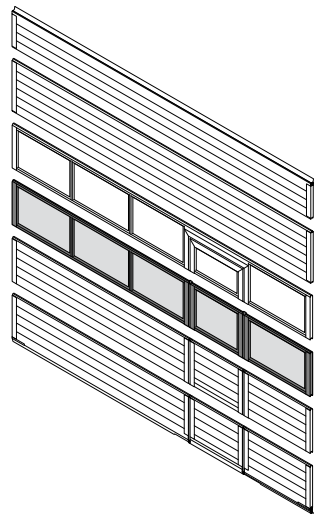


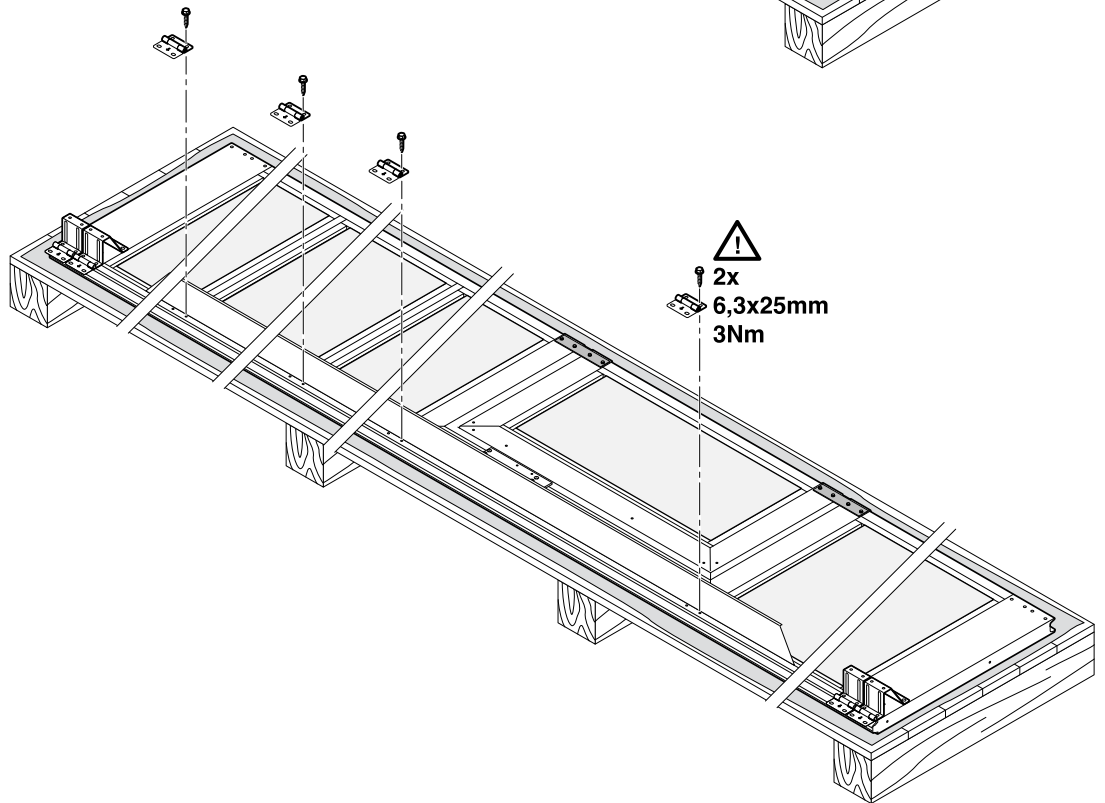
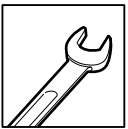
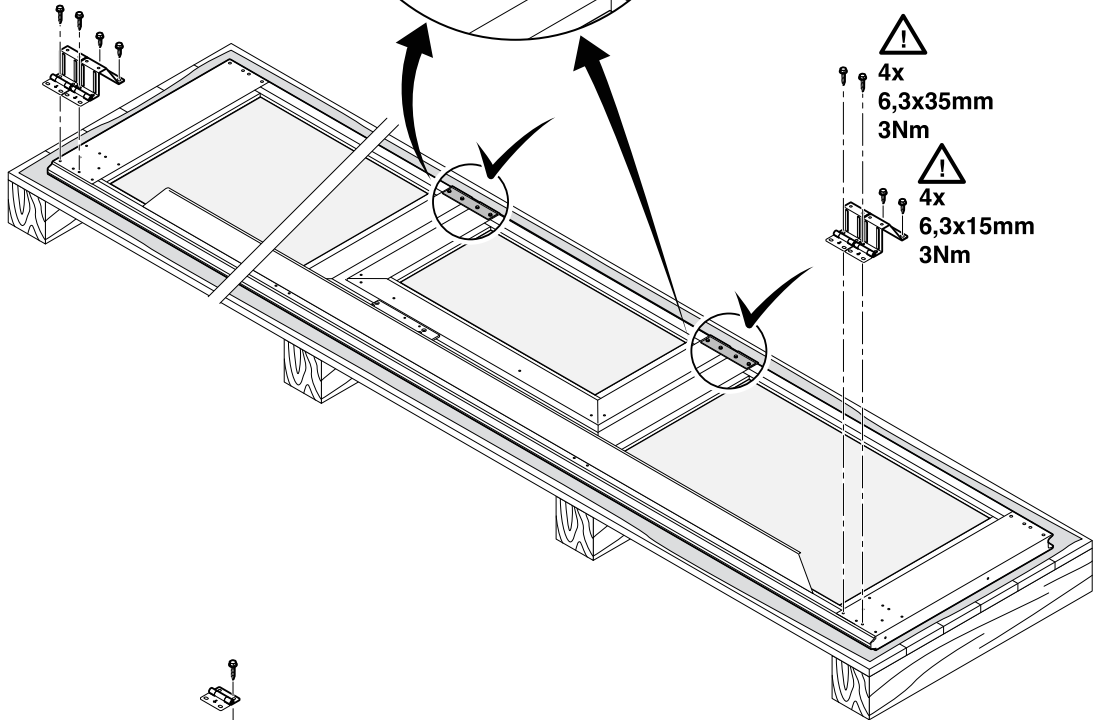
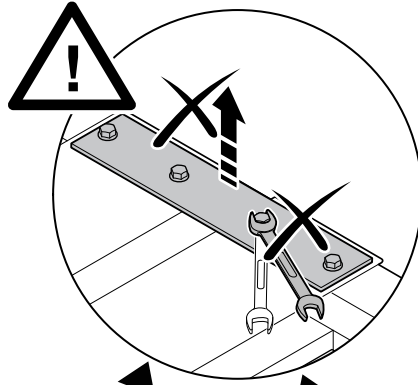
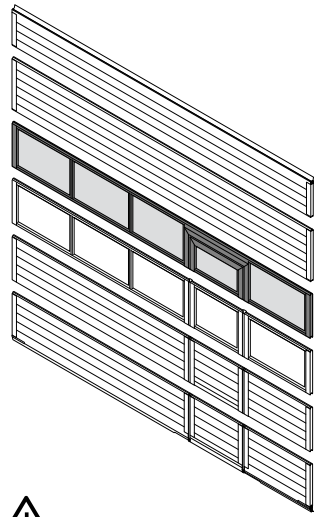


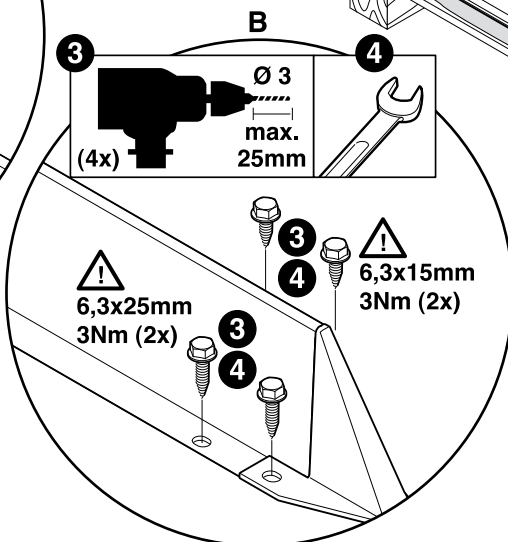
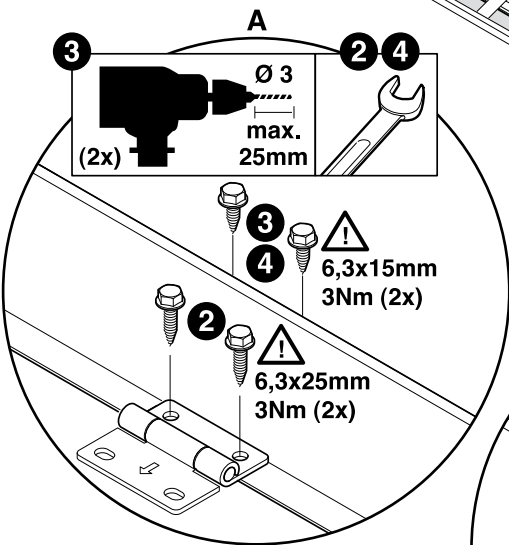
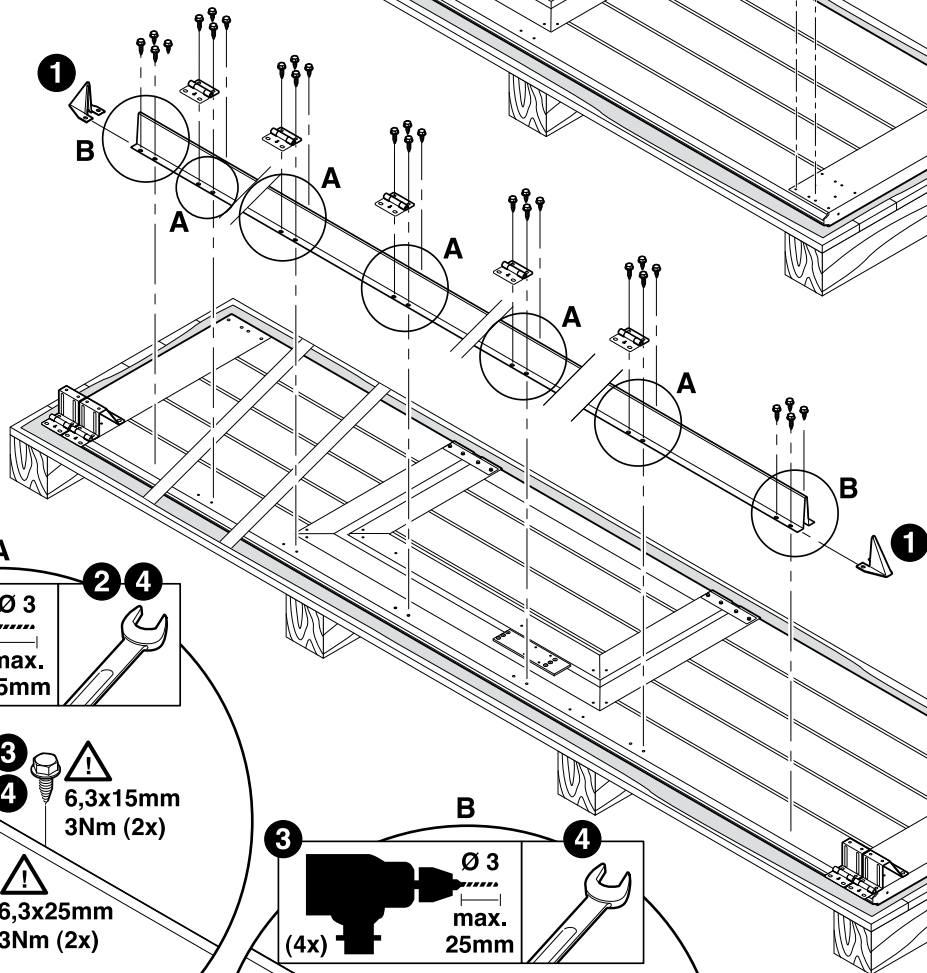
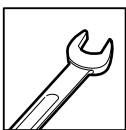
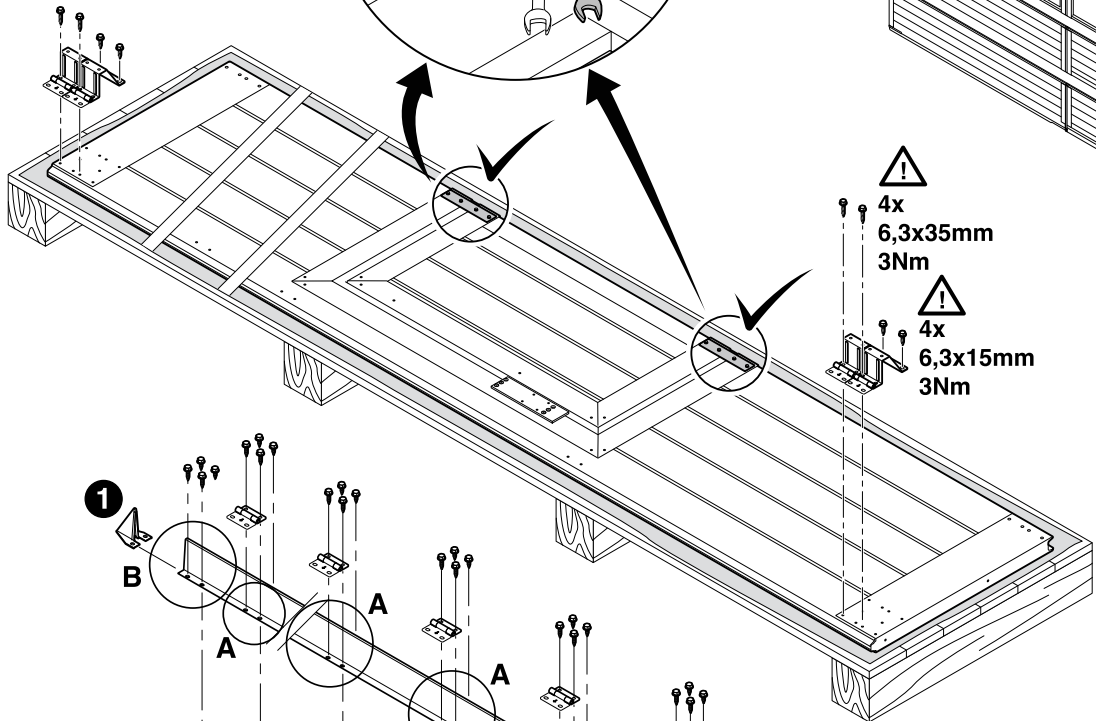
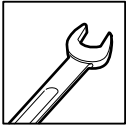
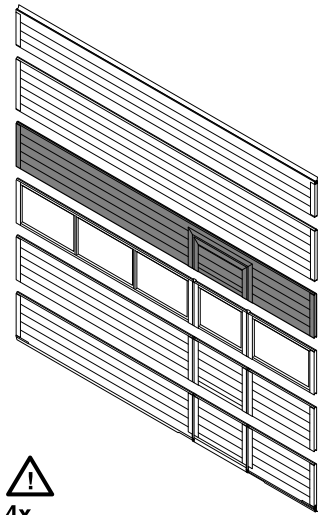
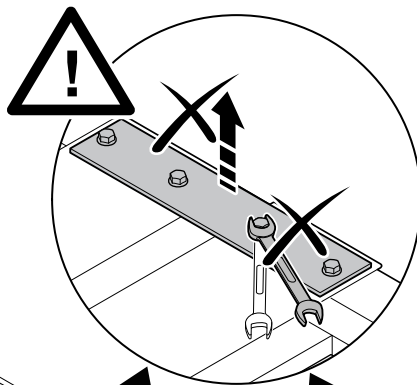








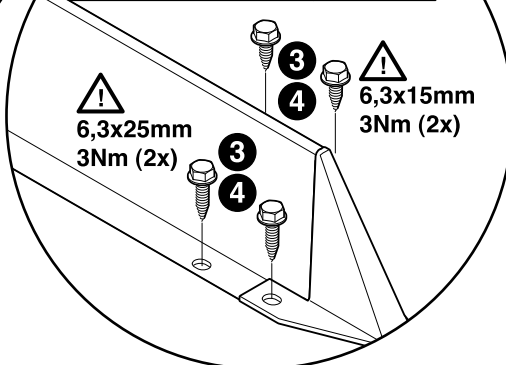
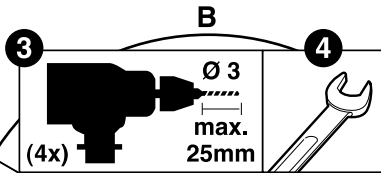
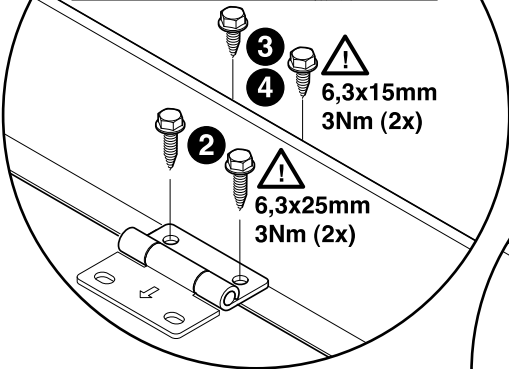
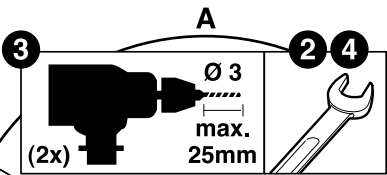
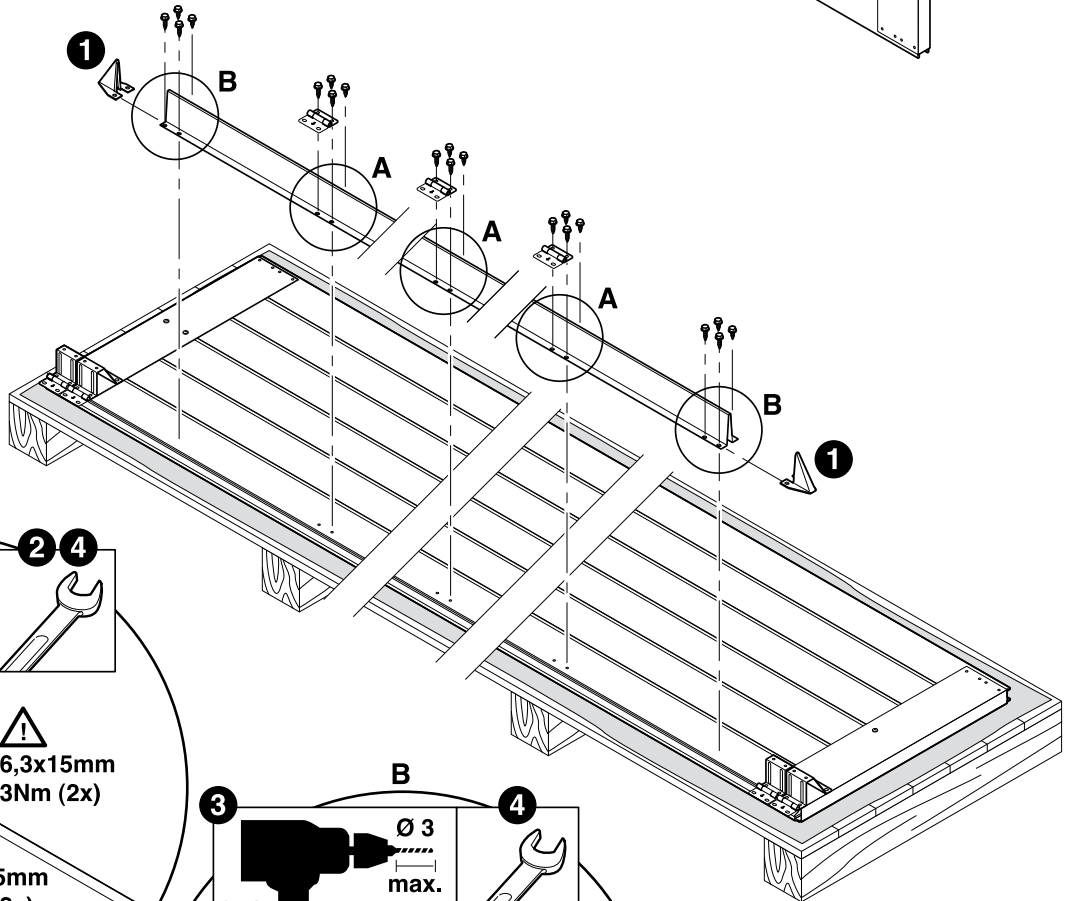
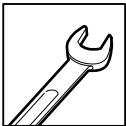
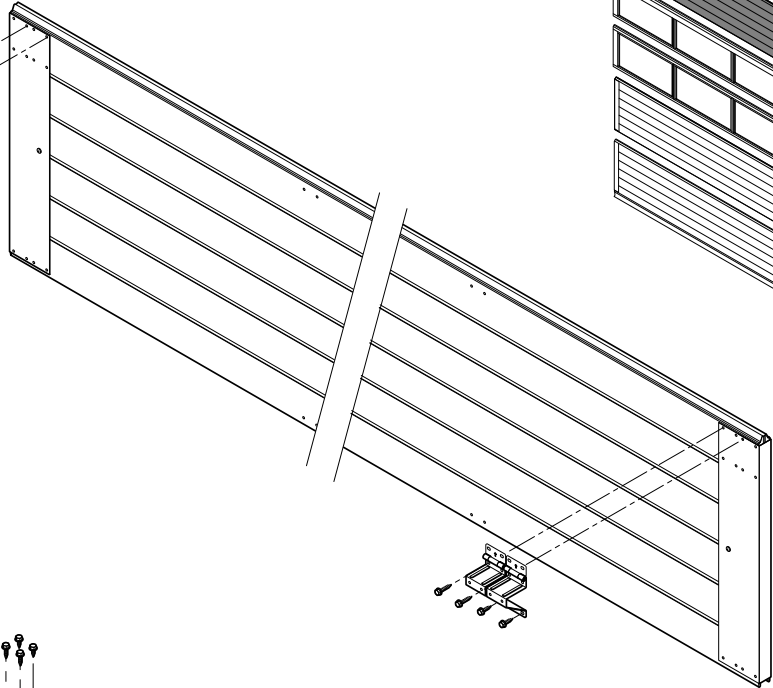
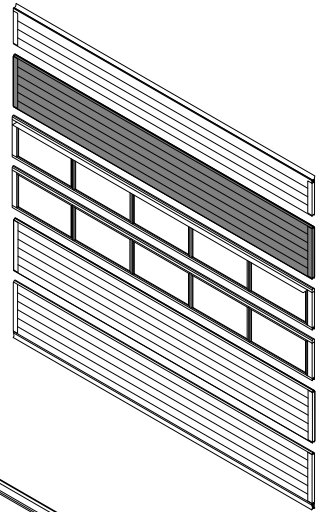


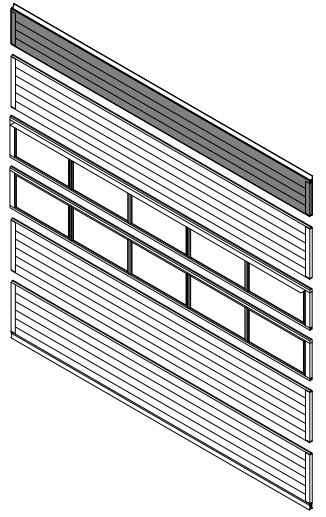




4x
⚠ 6,3x35mm
3Nm

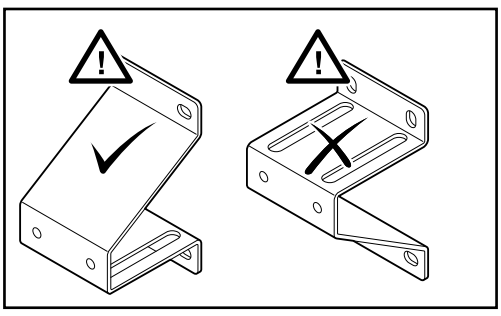
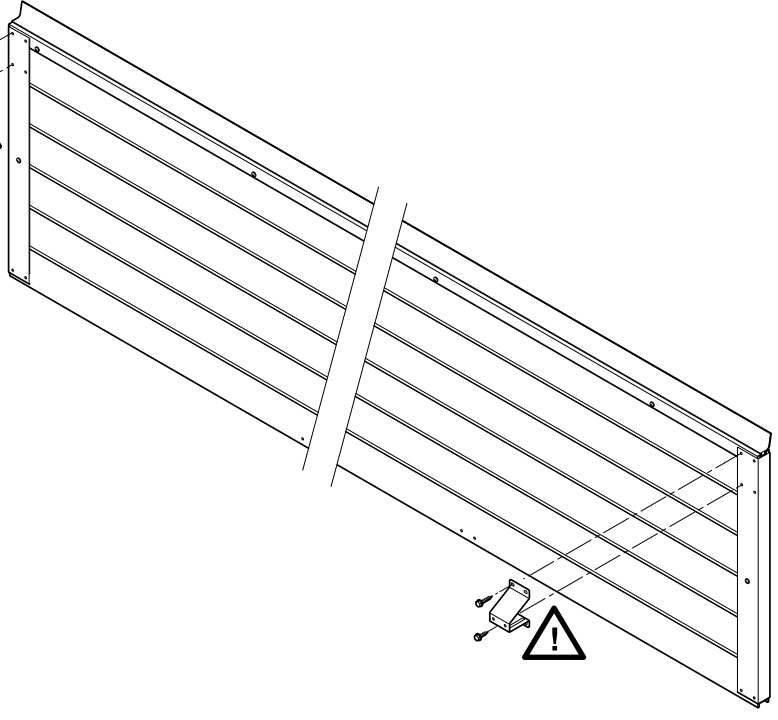
4x
⚠ 6,3x15mm
3Nm

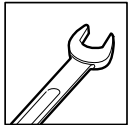
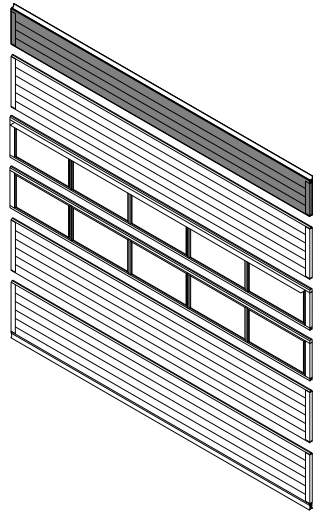




2x
! 6,3x35mm
3Nm

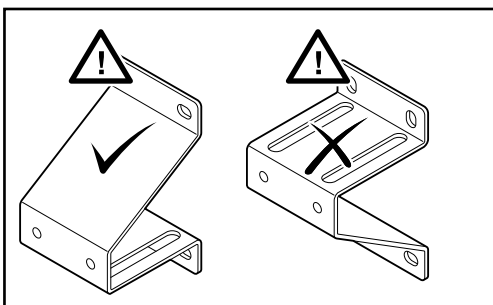
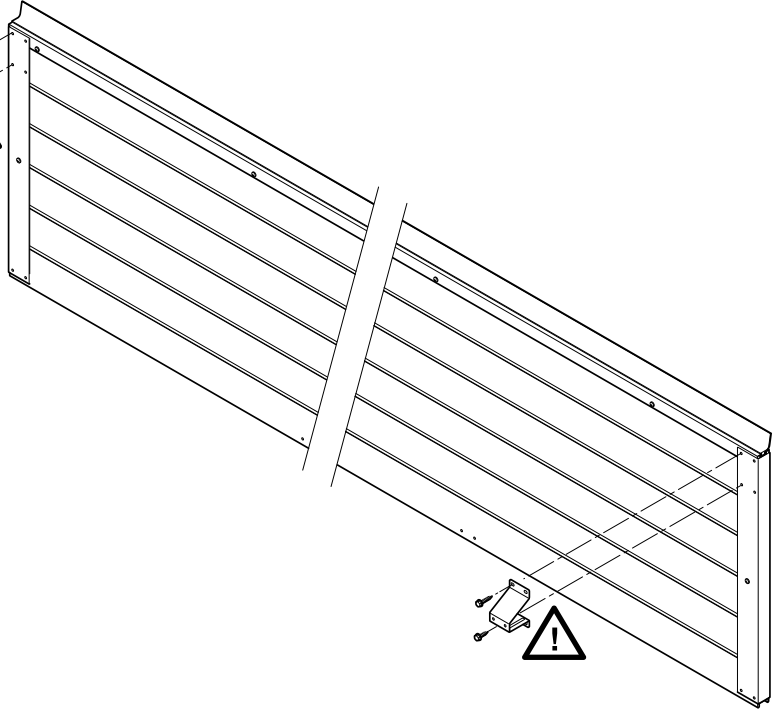
2x
! 6,3x15mm
3Nm

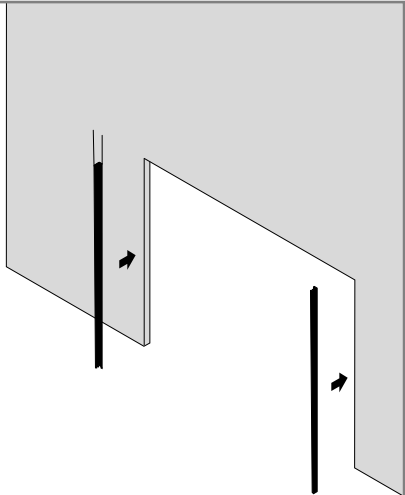
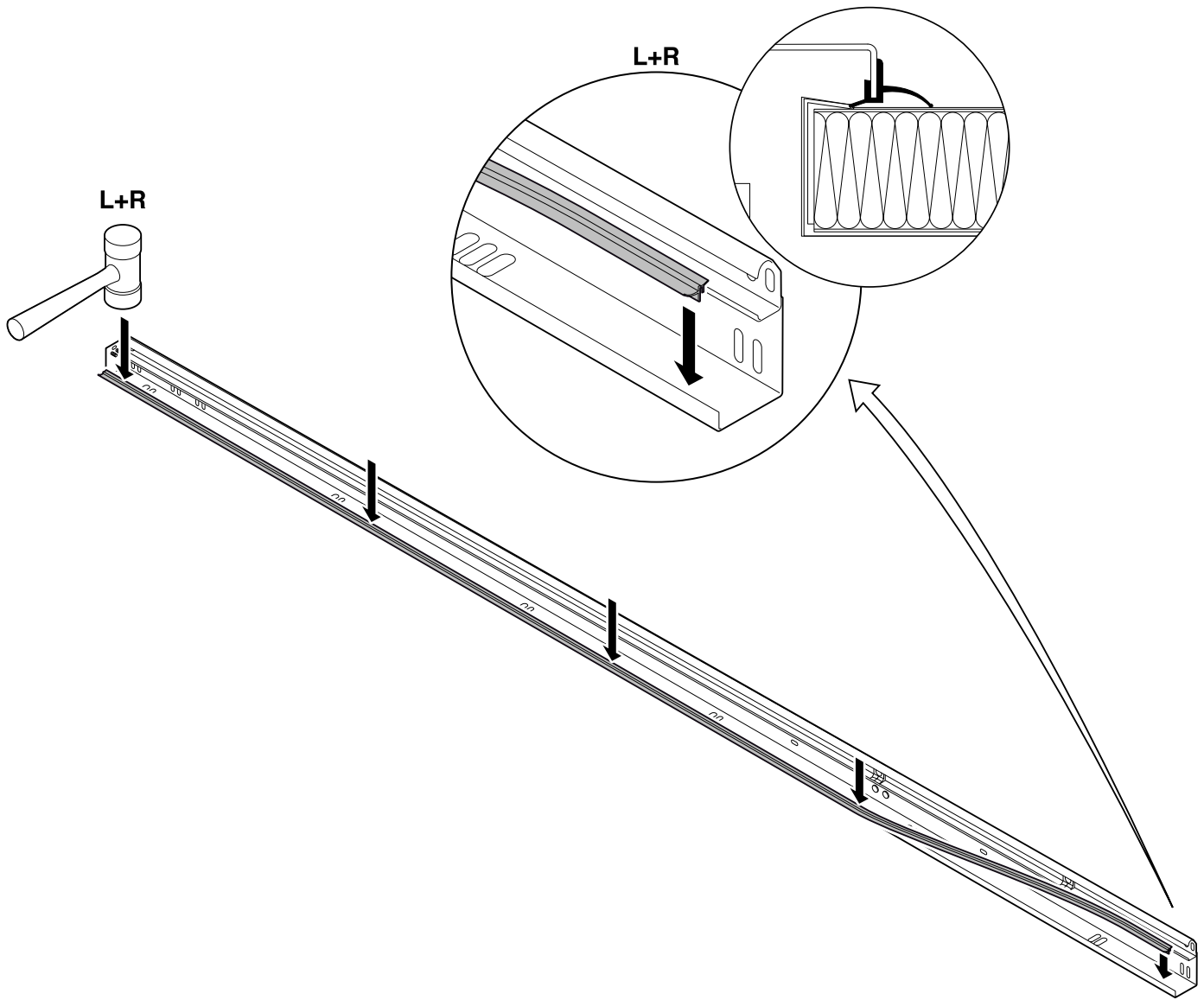


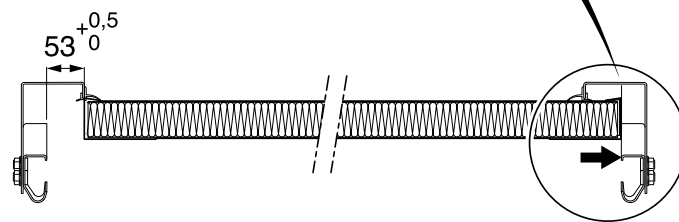
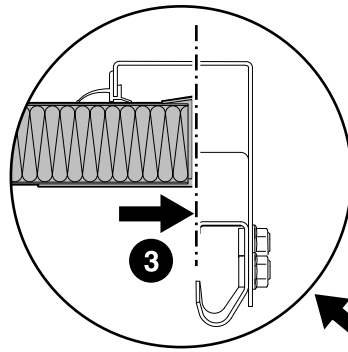
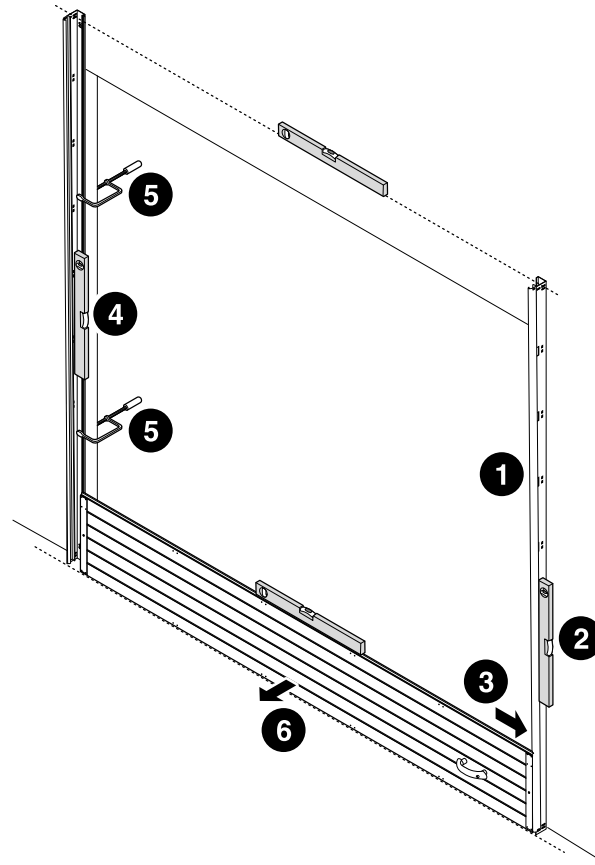
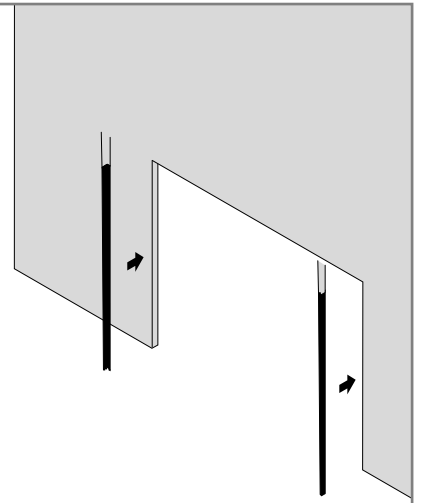
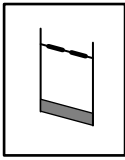


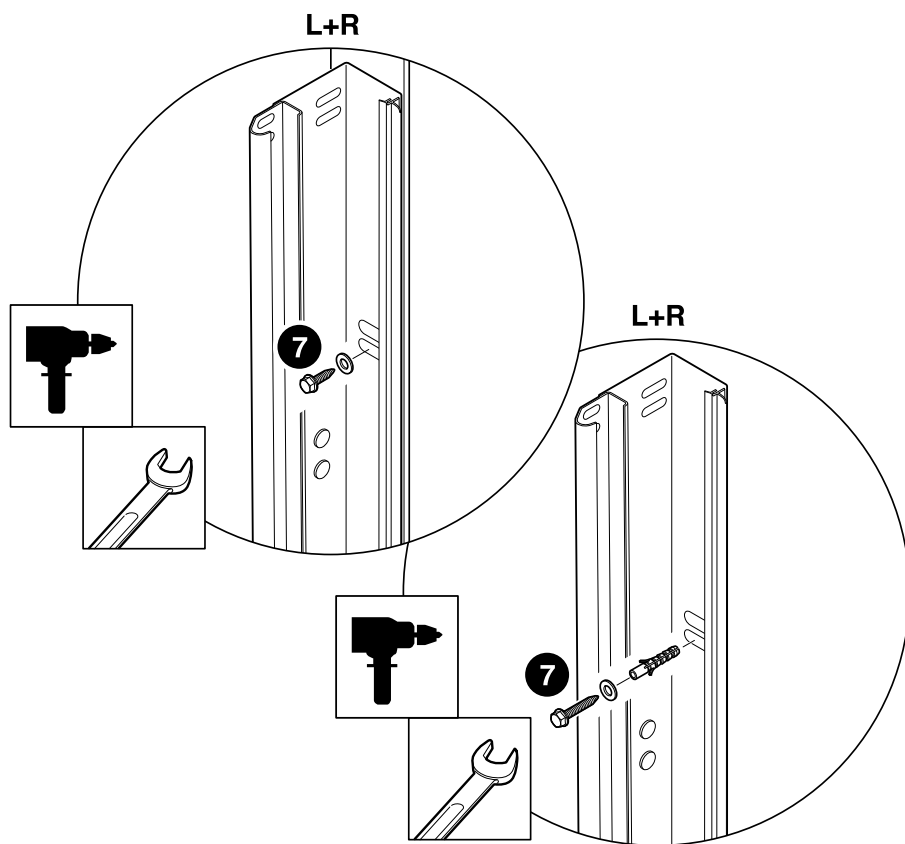
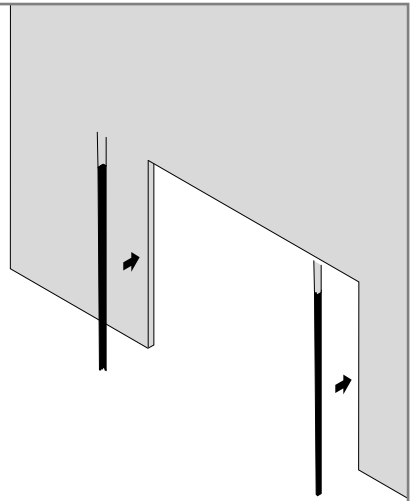
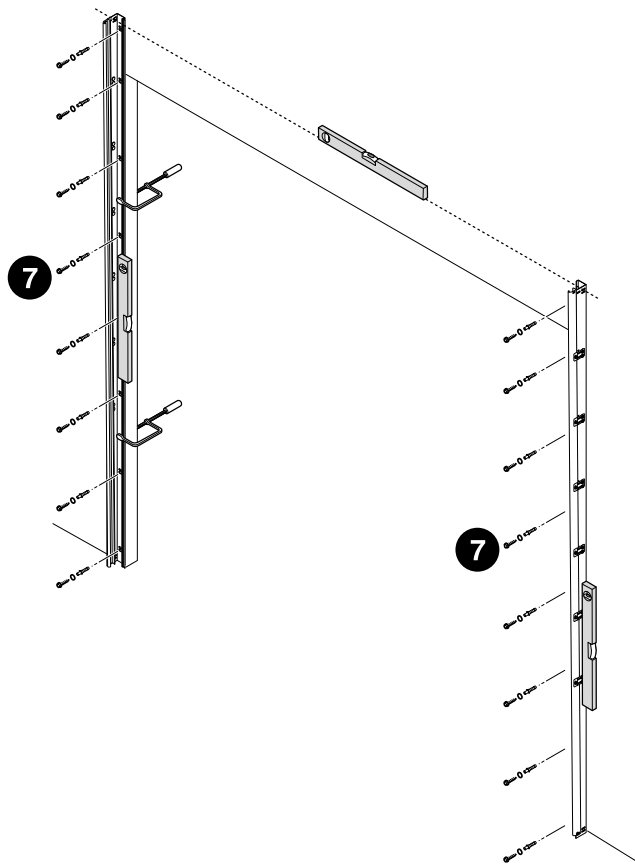
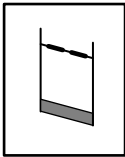
2x
! 6,3x35mm
3Nm

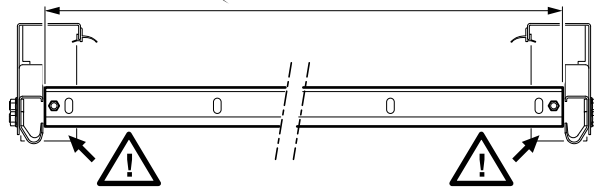
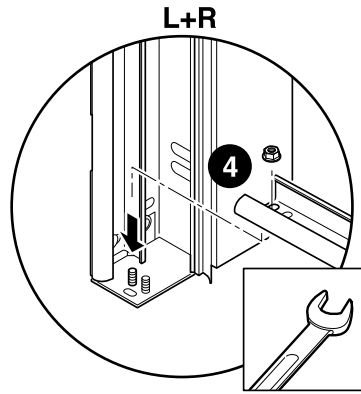
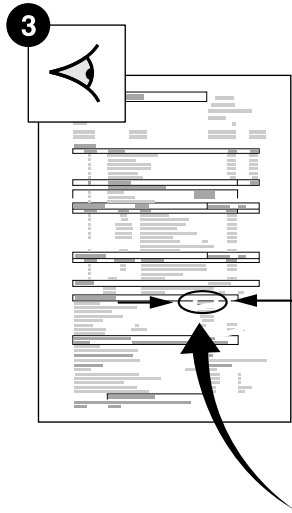
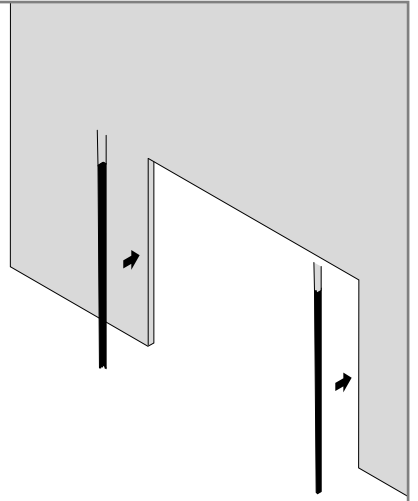
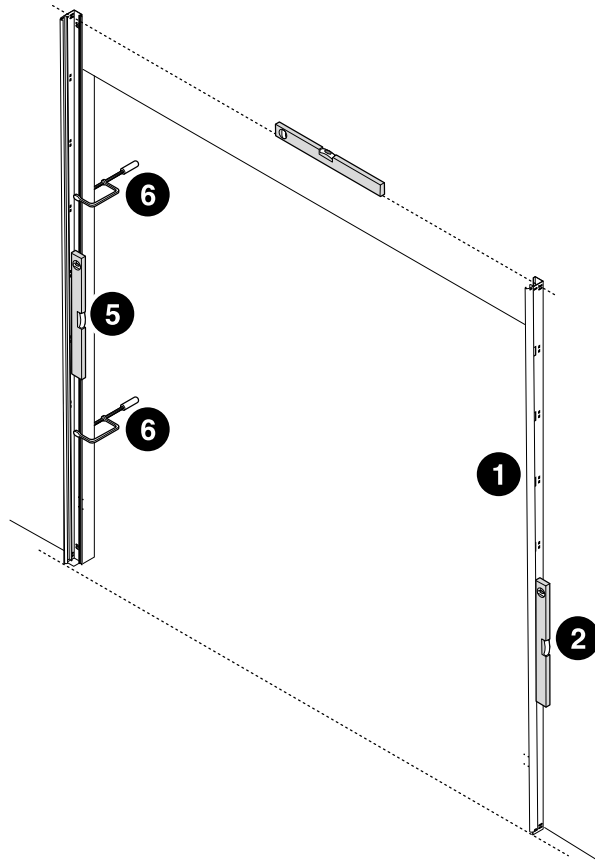
2x
! 6,3x15mm
3Nm

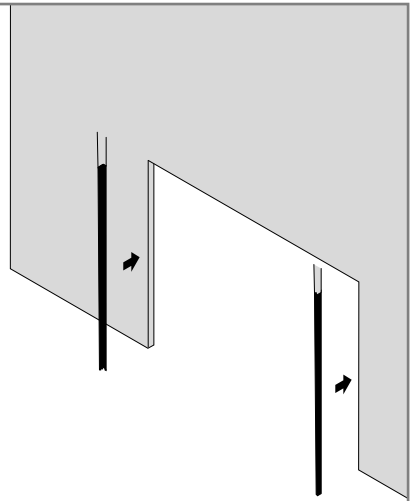
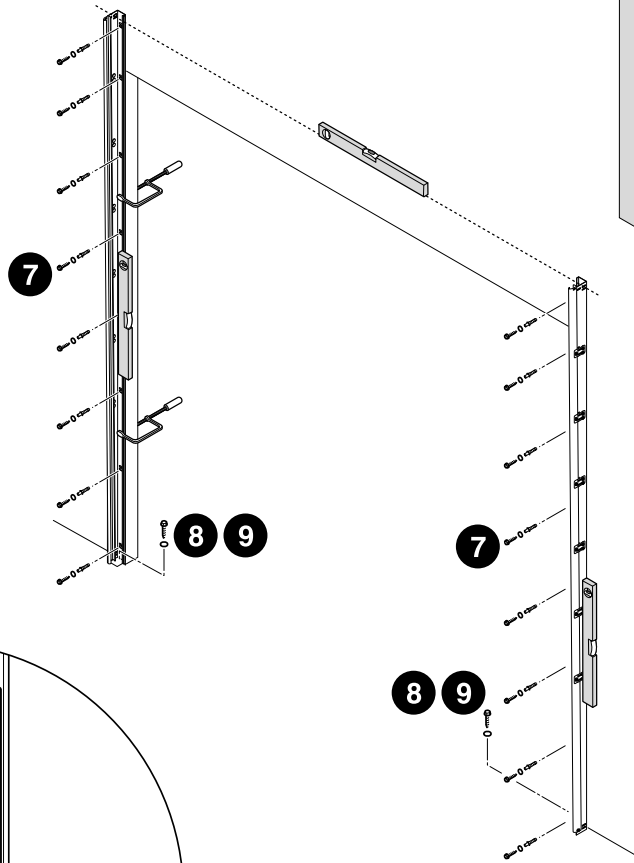




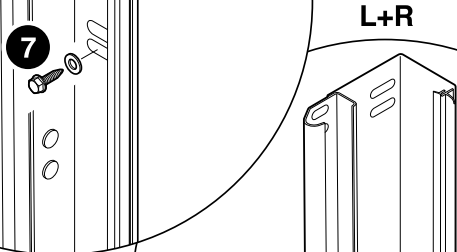
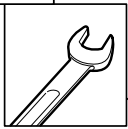
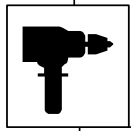




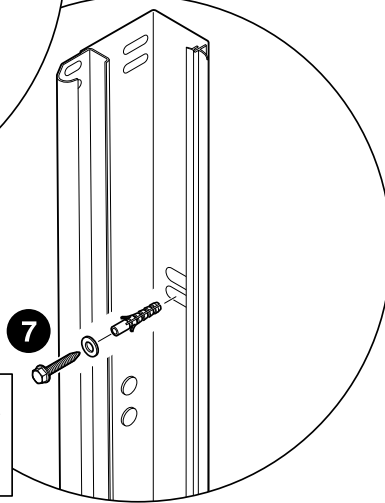
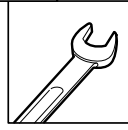
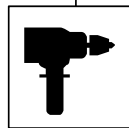




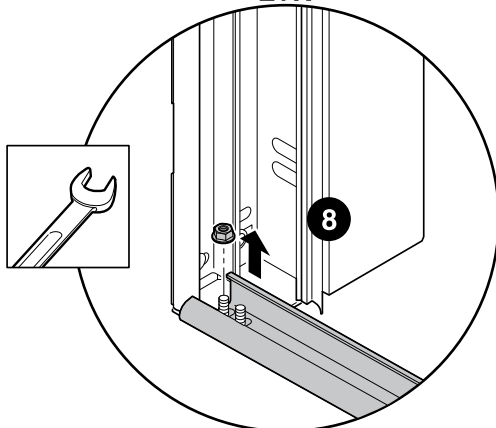
L+R



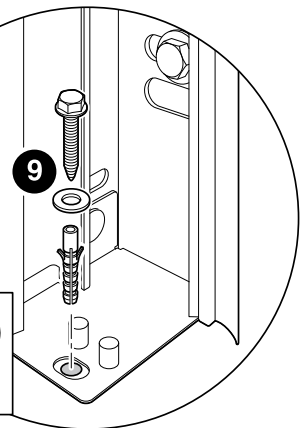
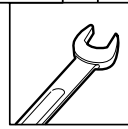
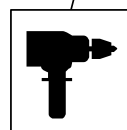
L+R

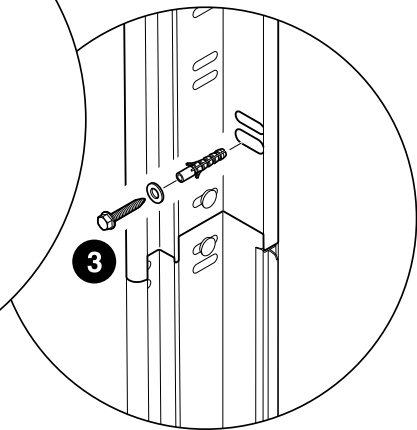
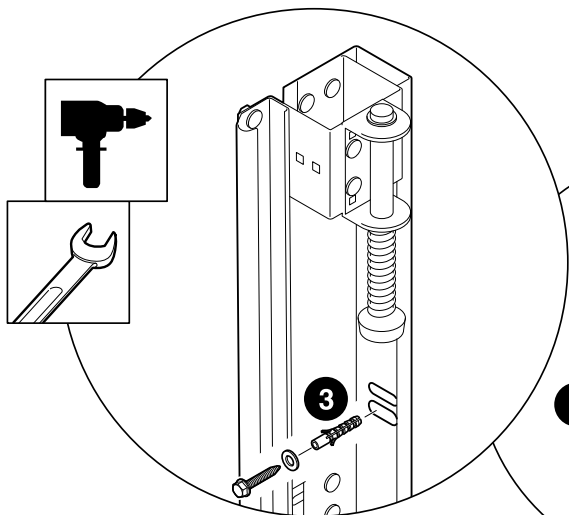
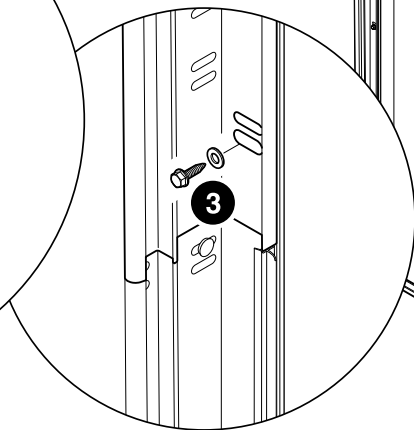
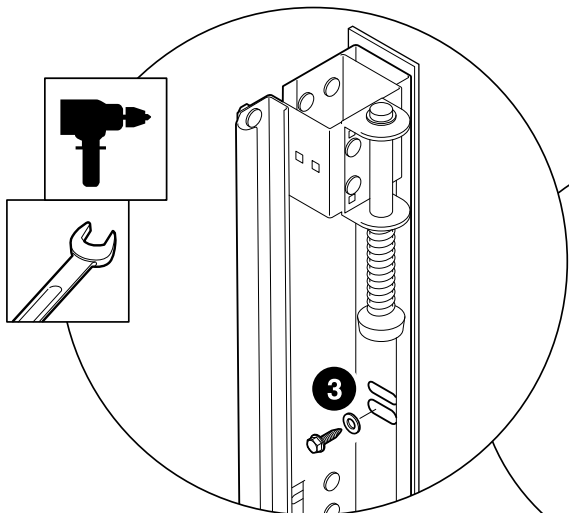
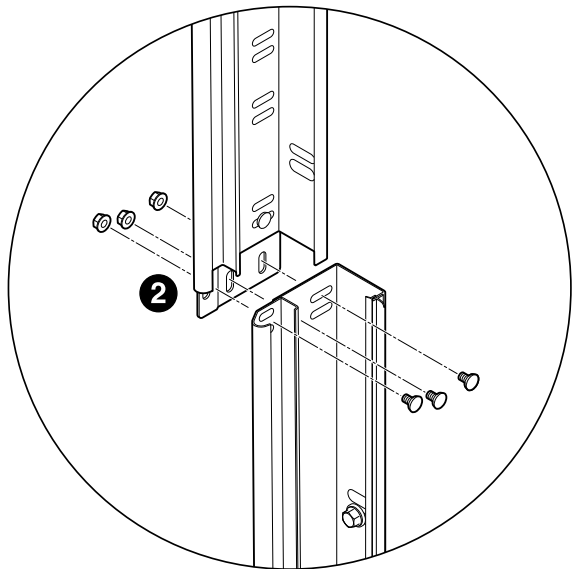
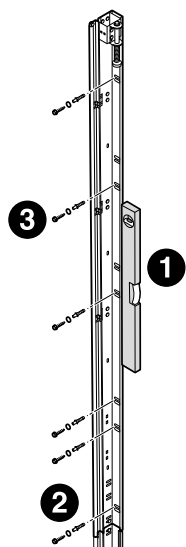
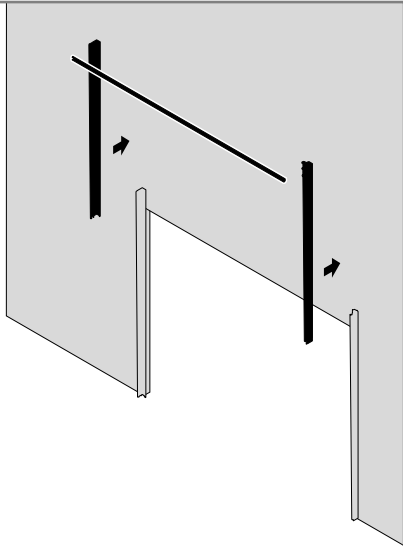


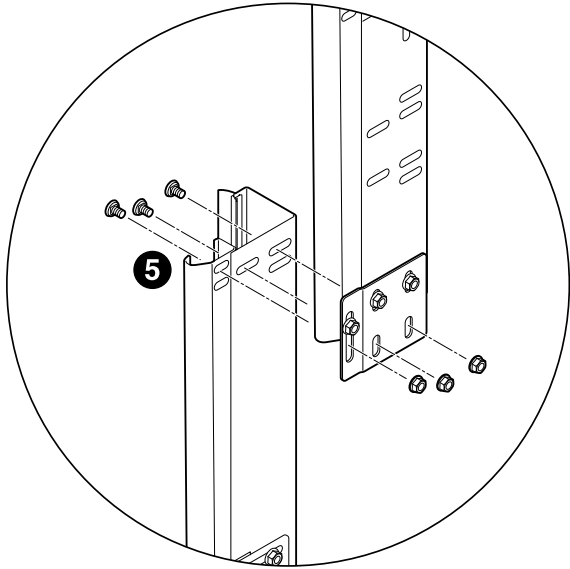
L+R



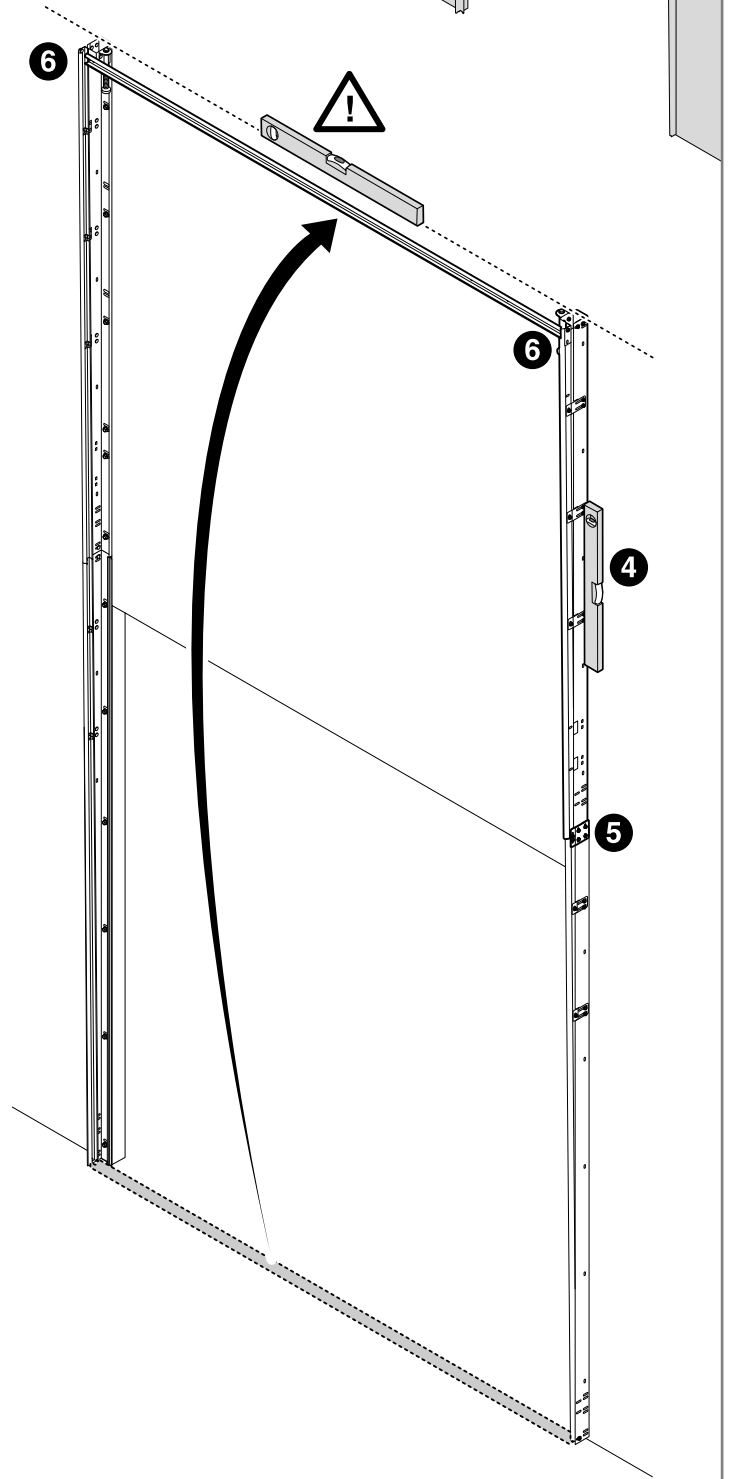
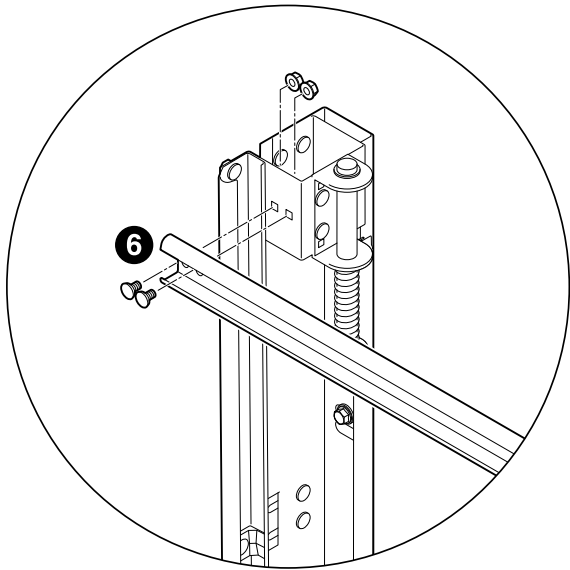
L+R

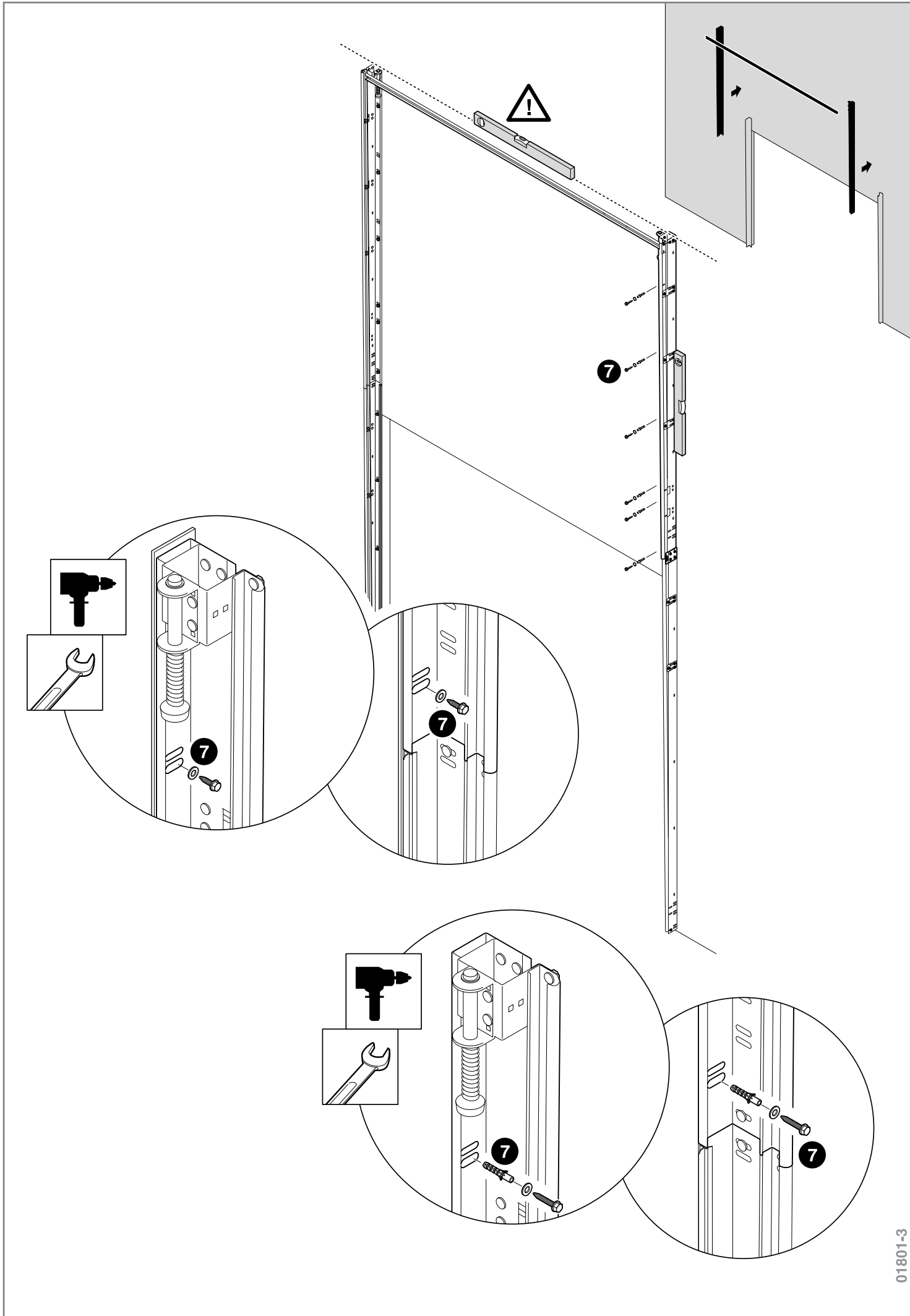


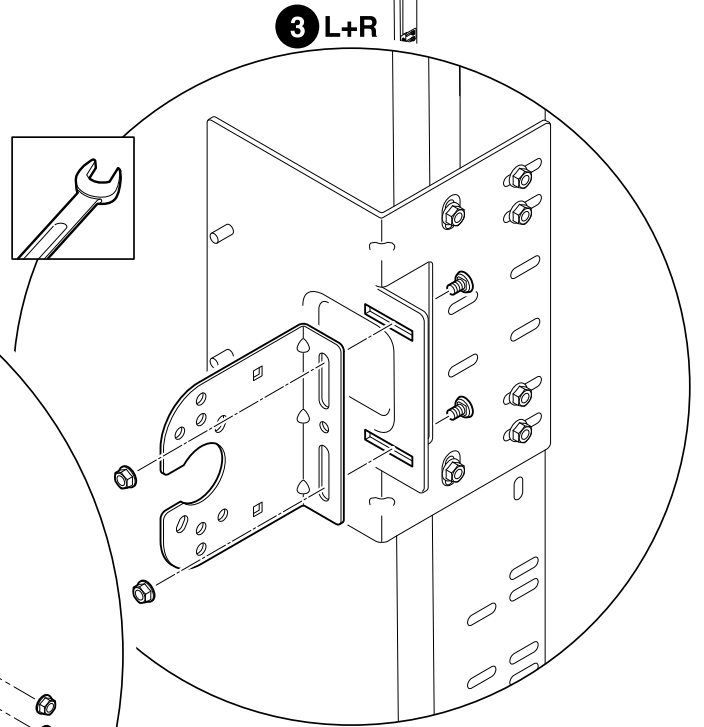
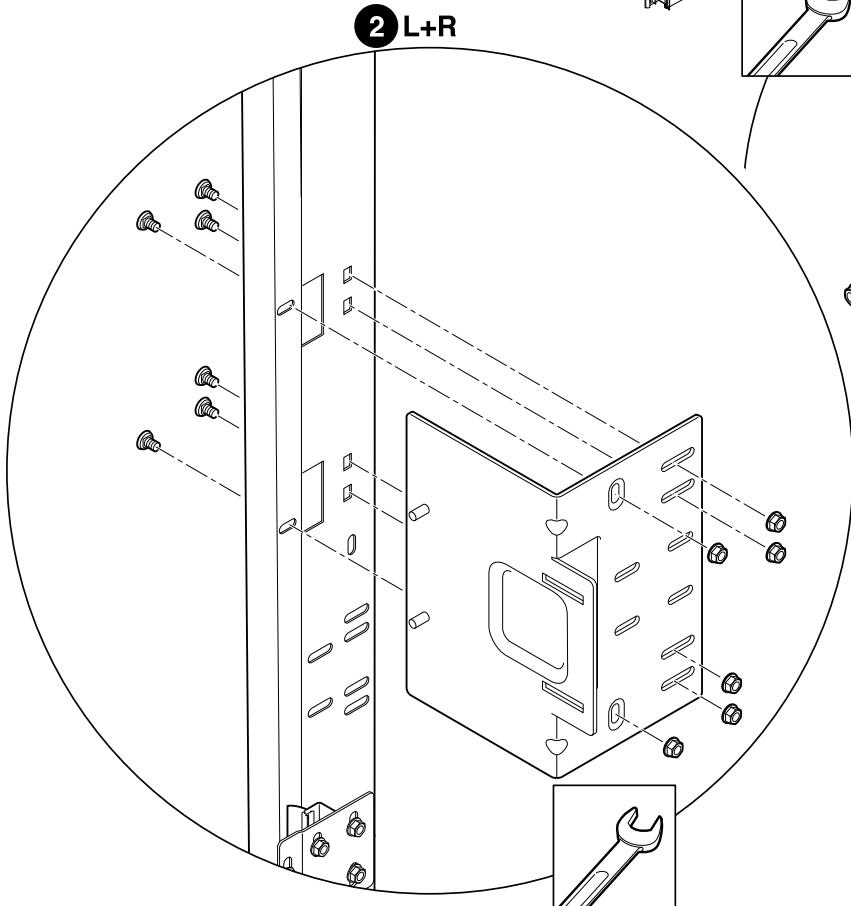
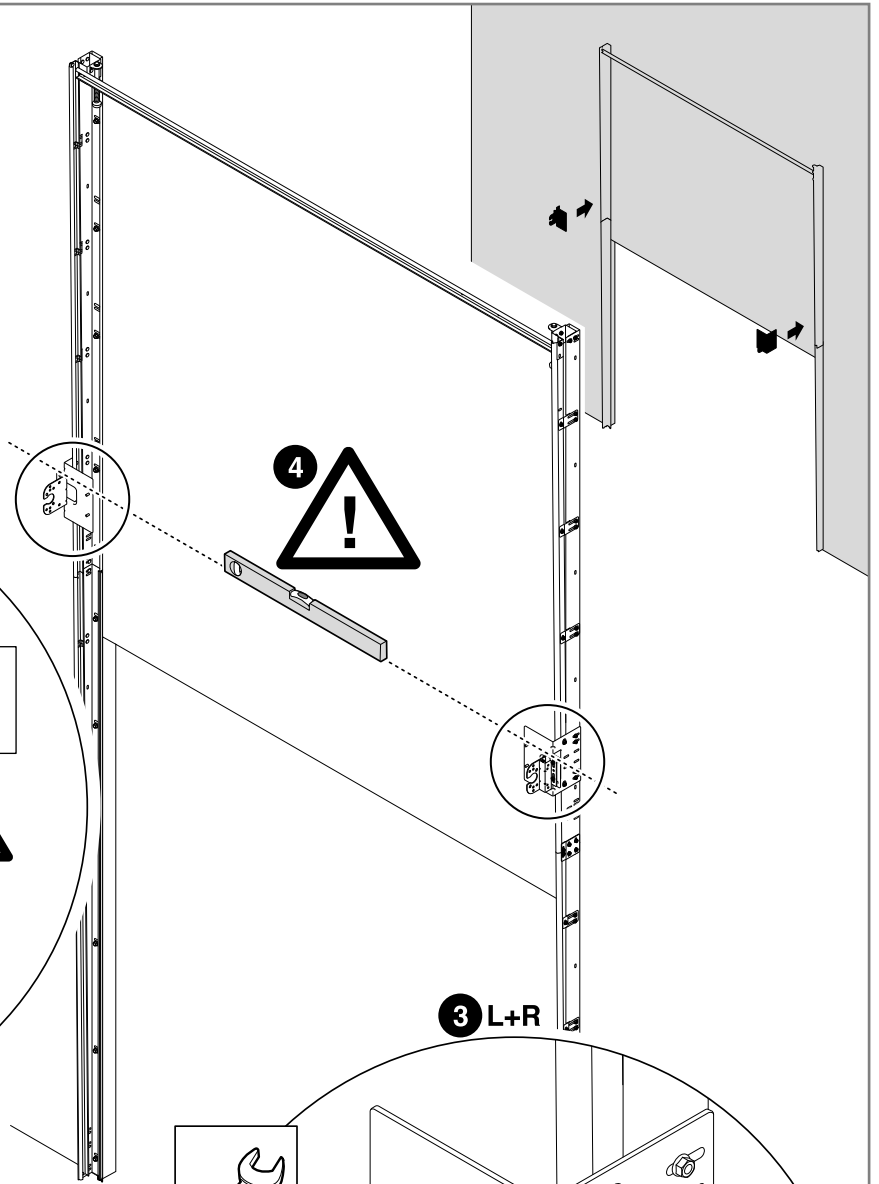
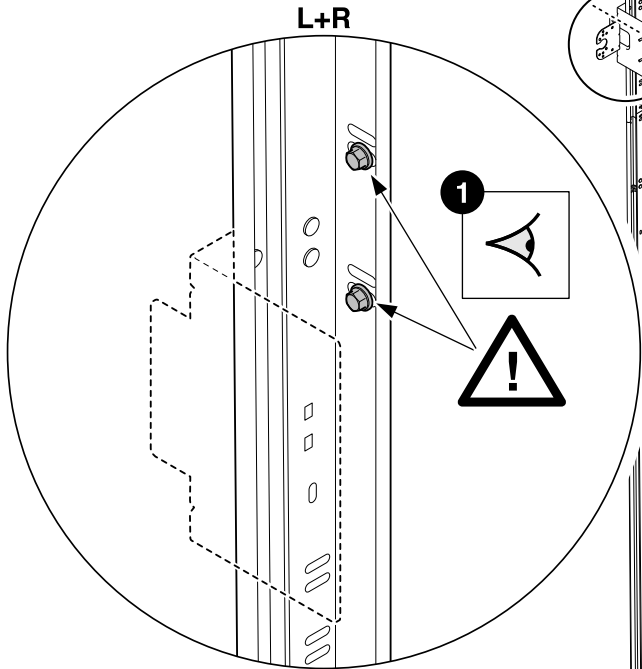
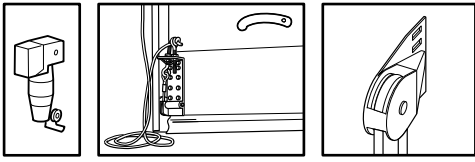


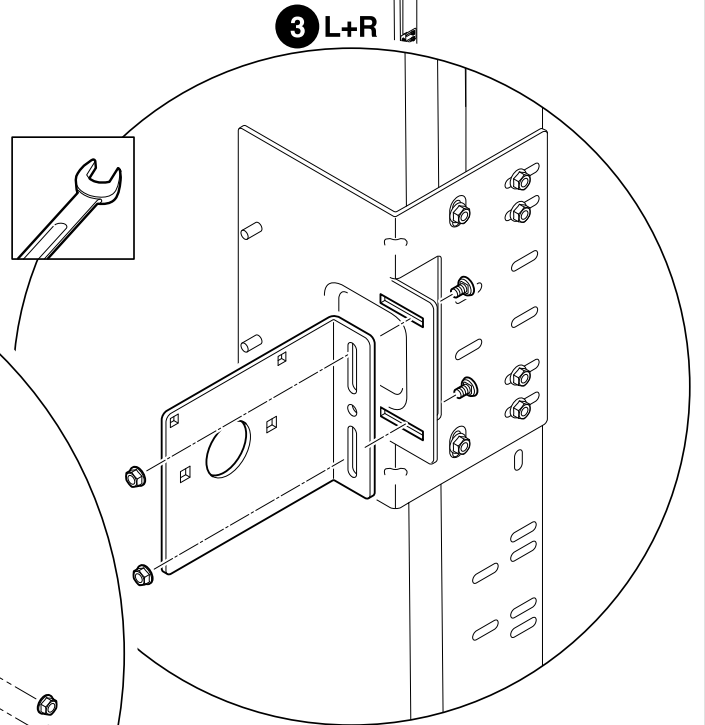
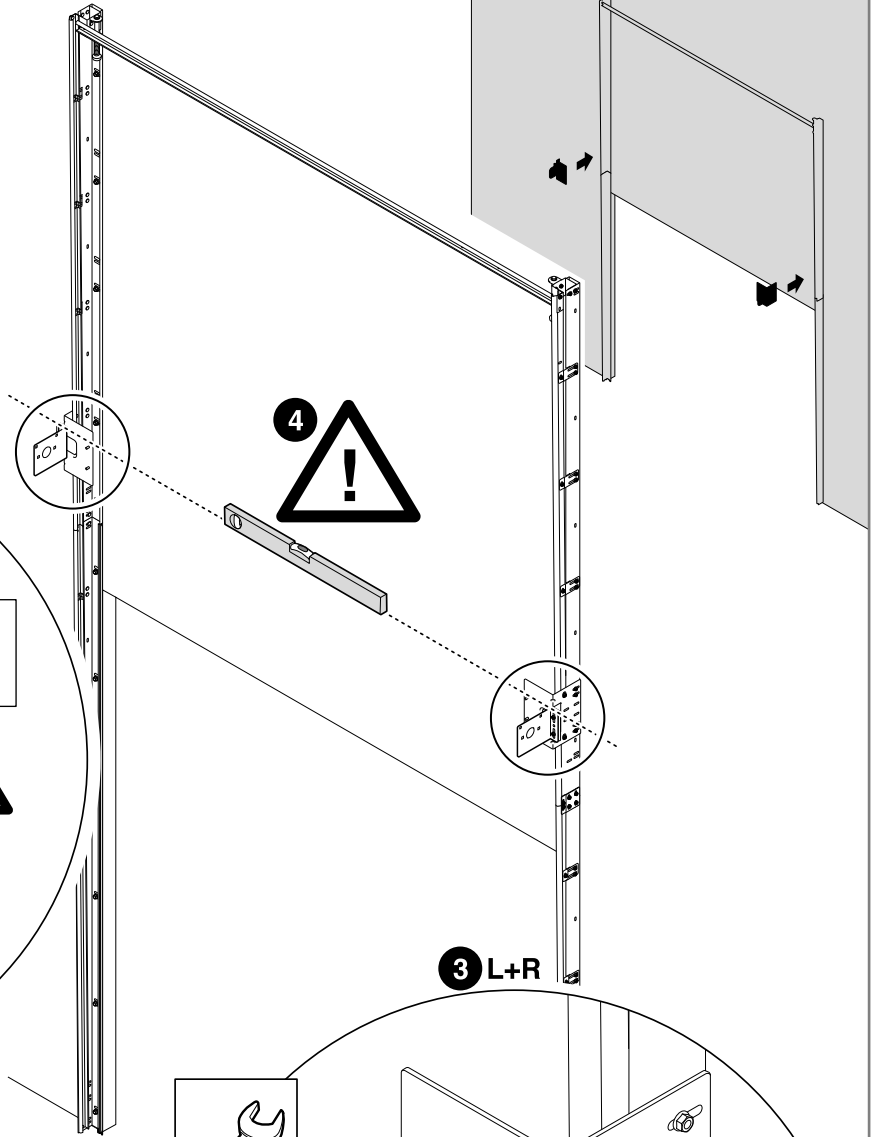
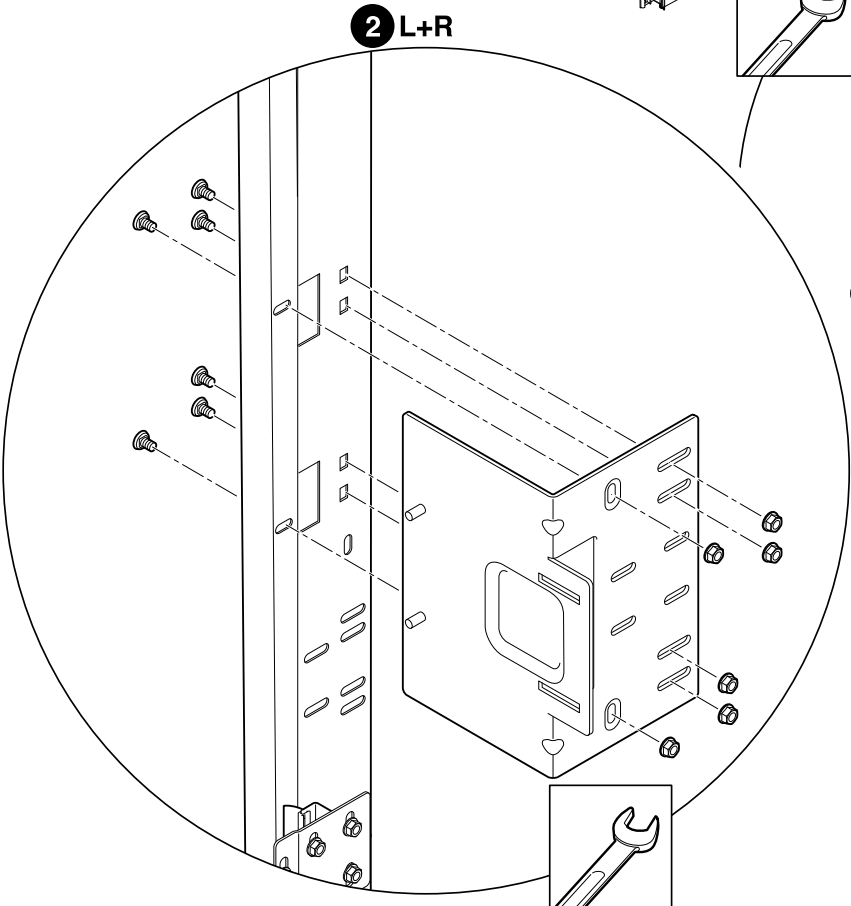
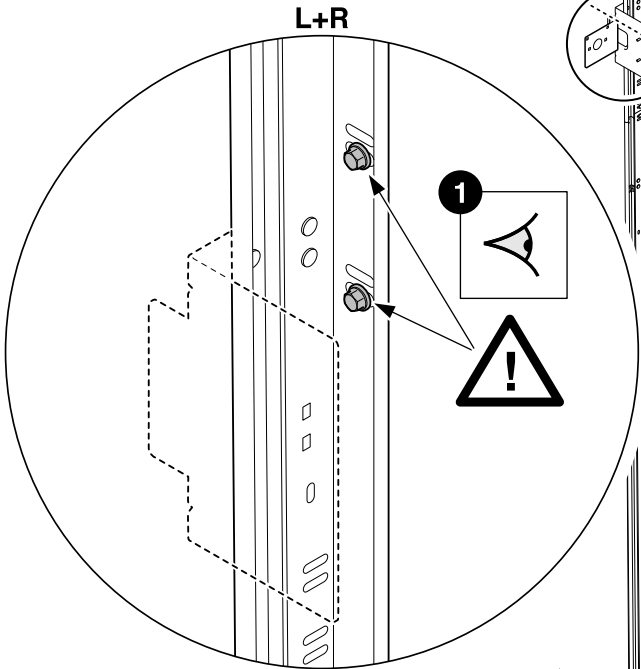
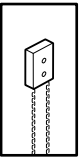


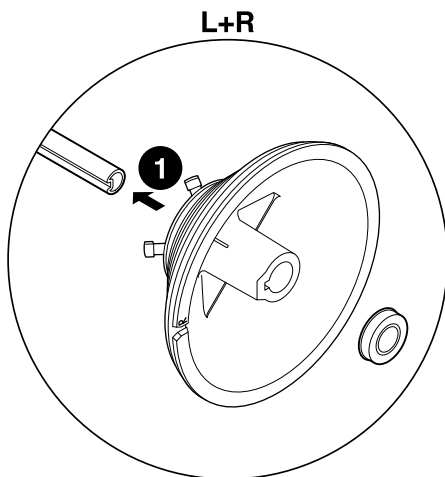
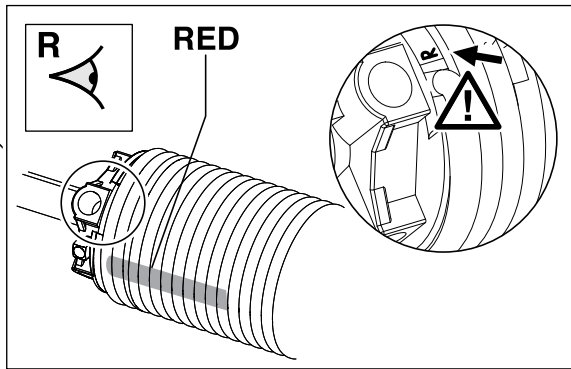
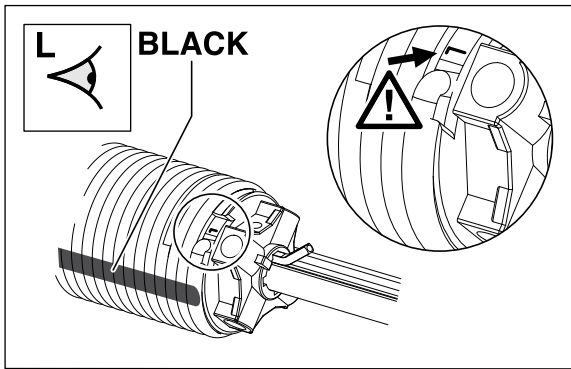
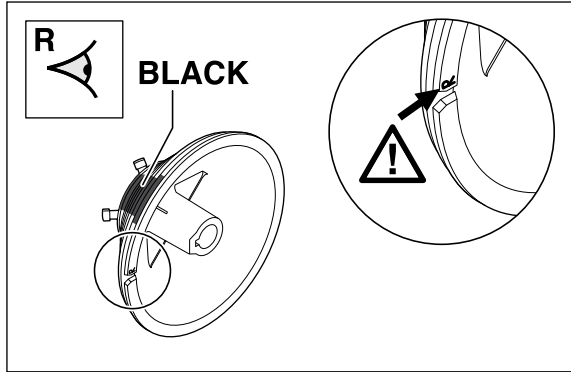
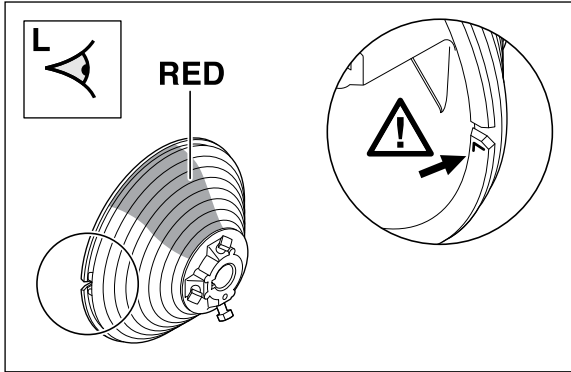
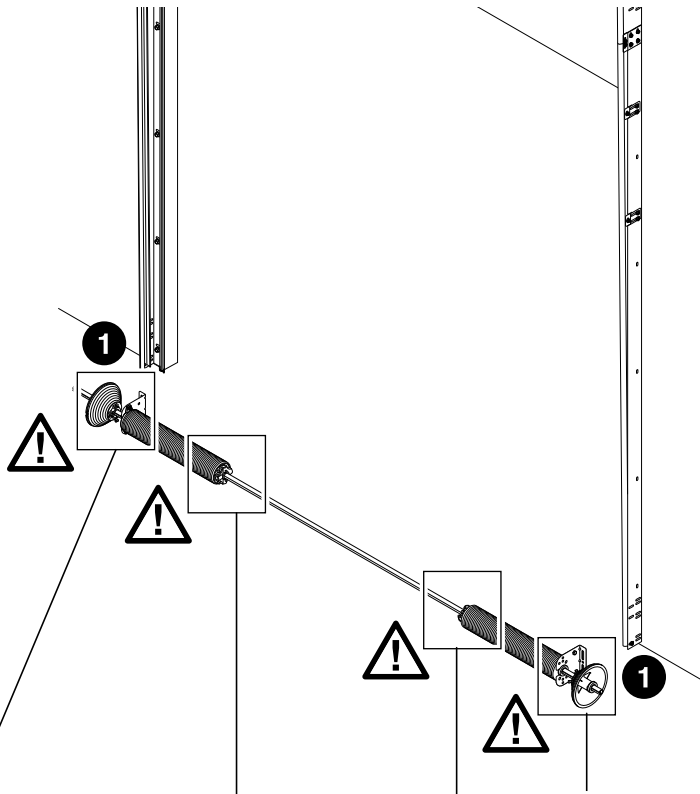
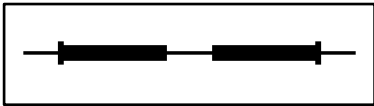
L+R

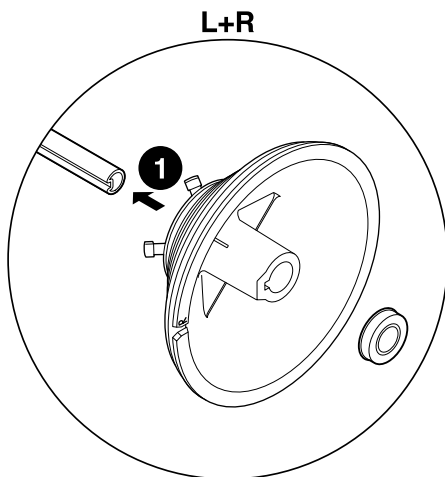
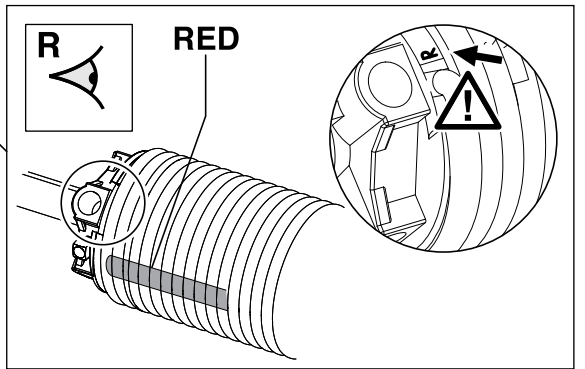
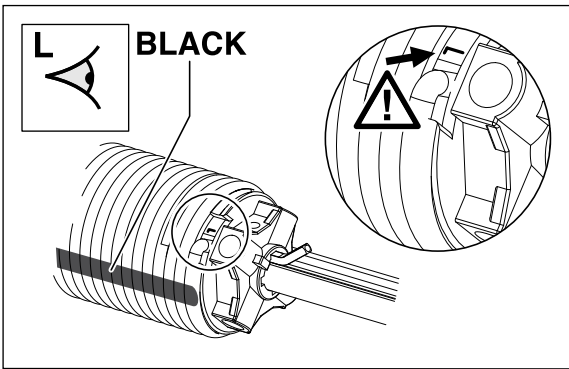
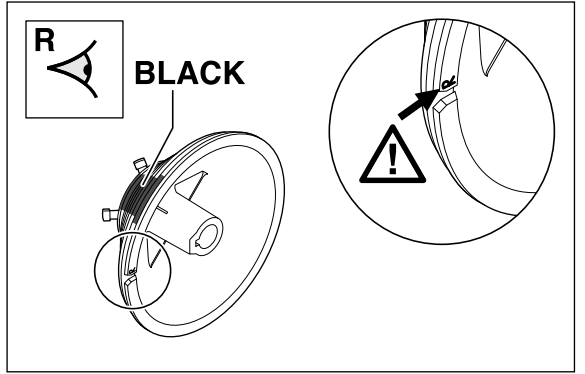
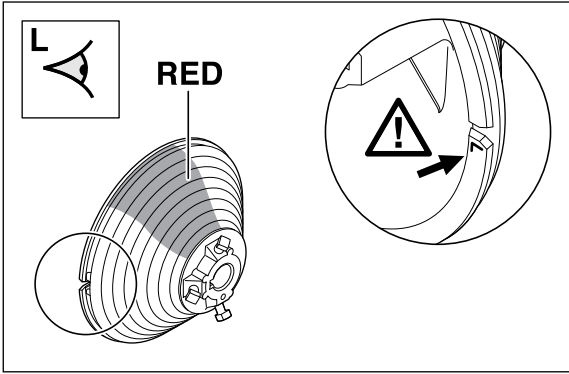
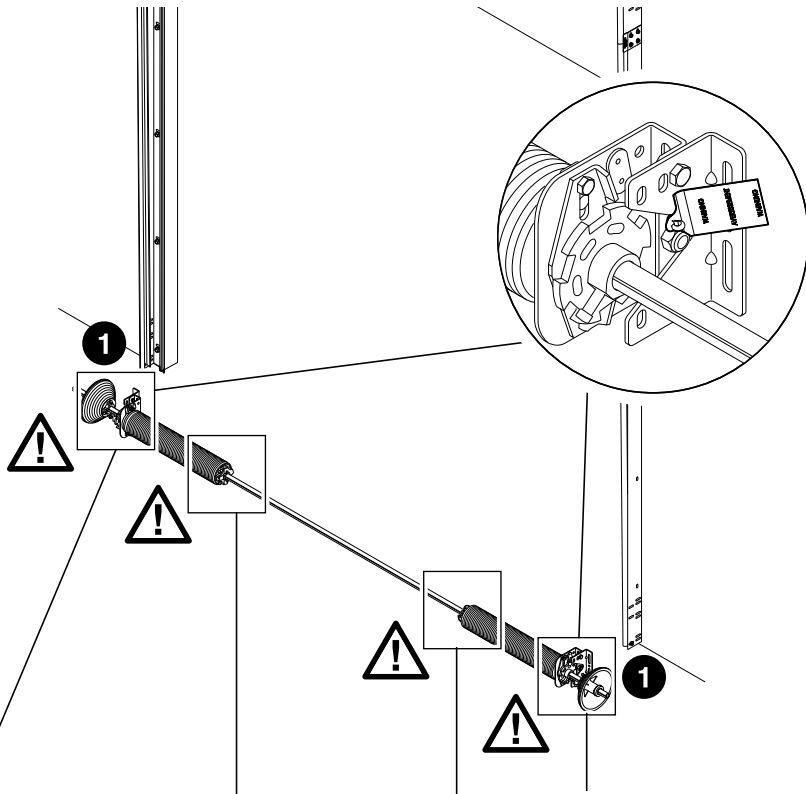
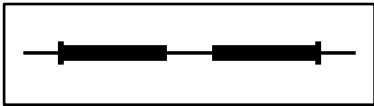


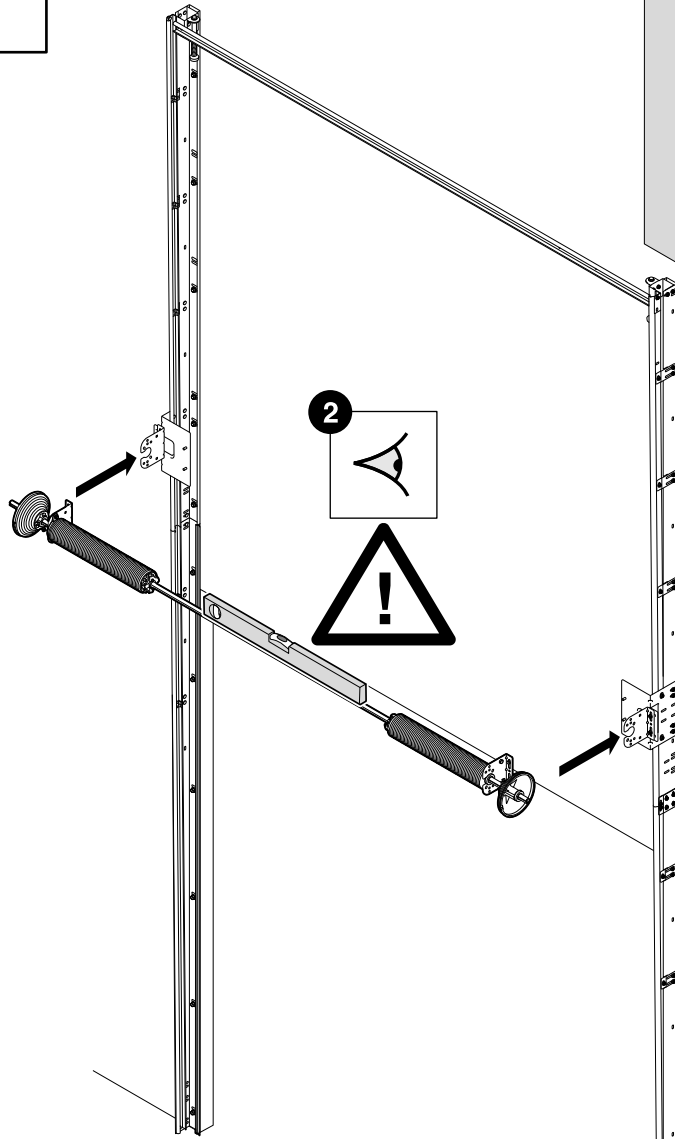
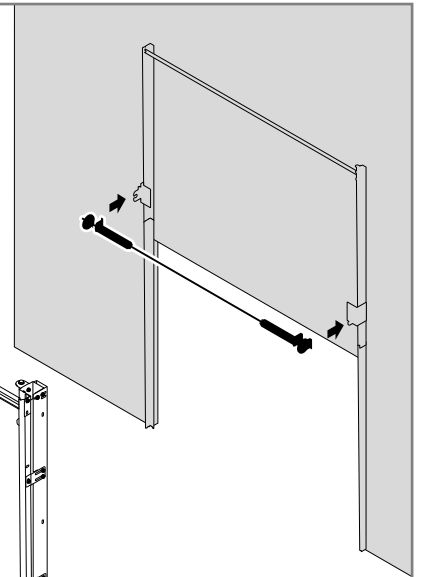
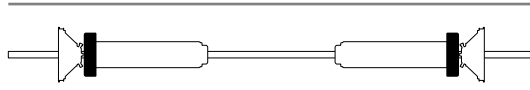
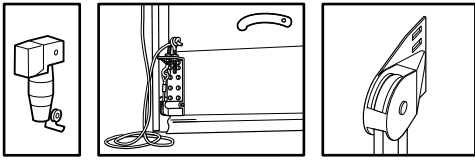




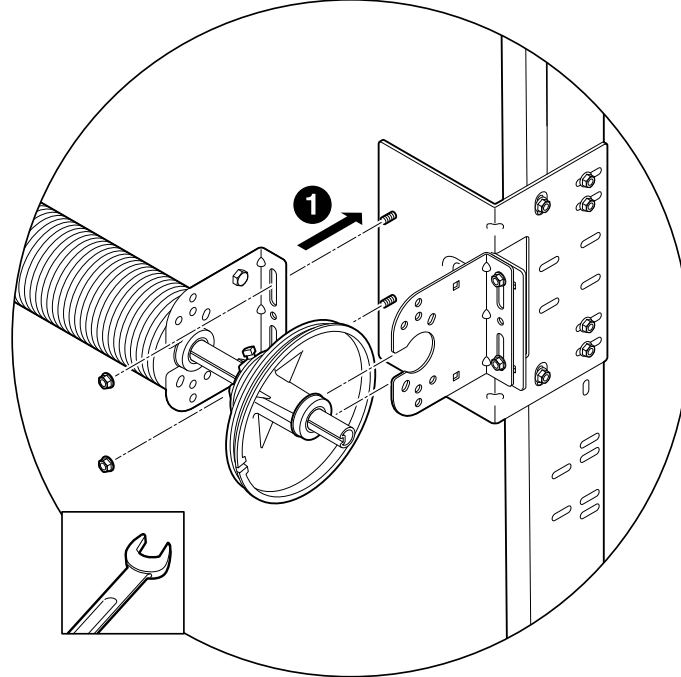


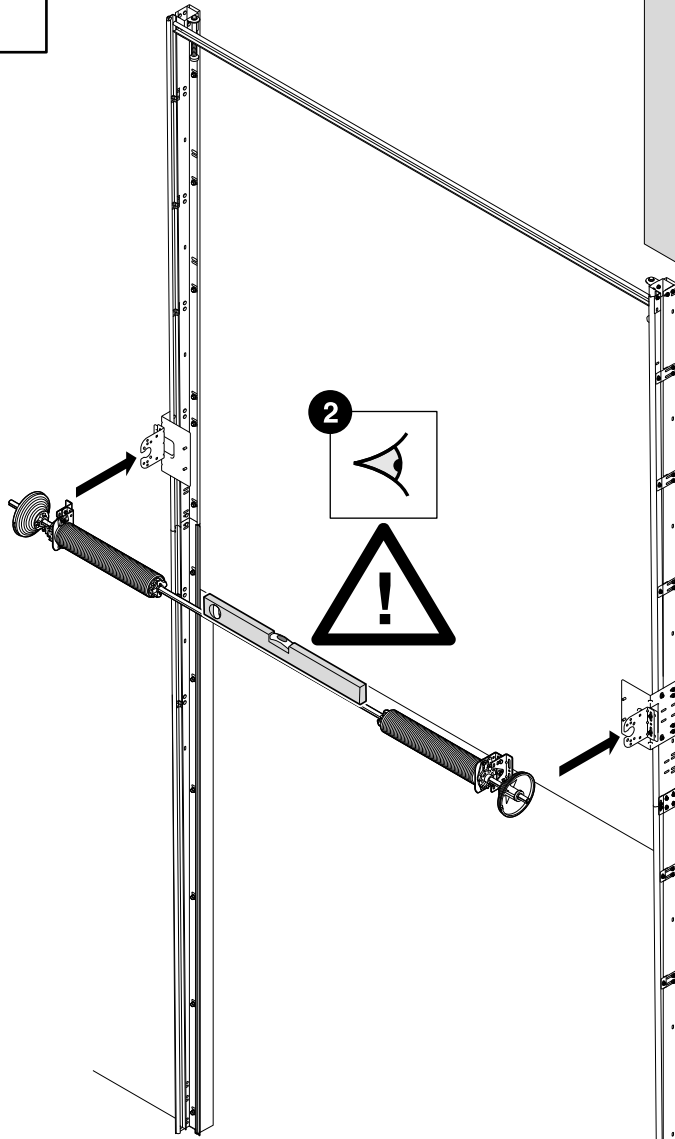
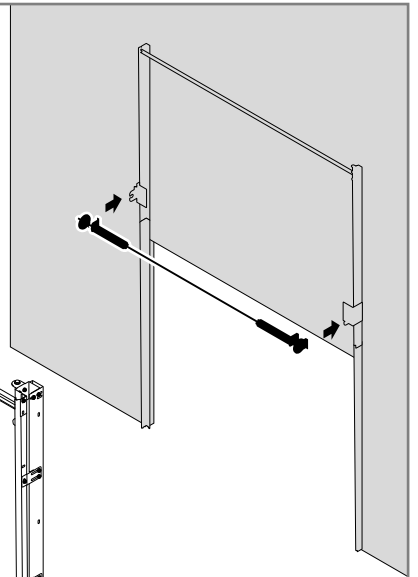
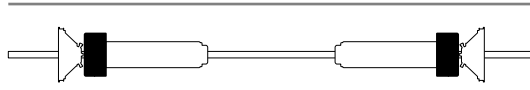
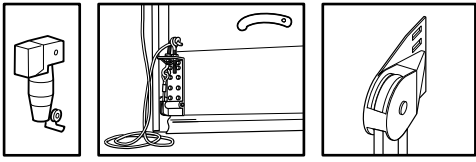




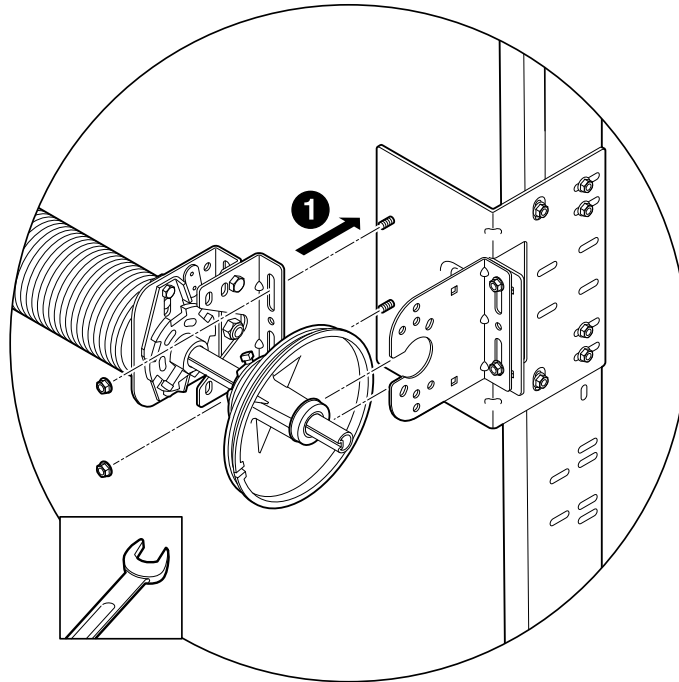


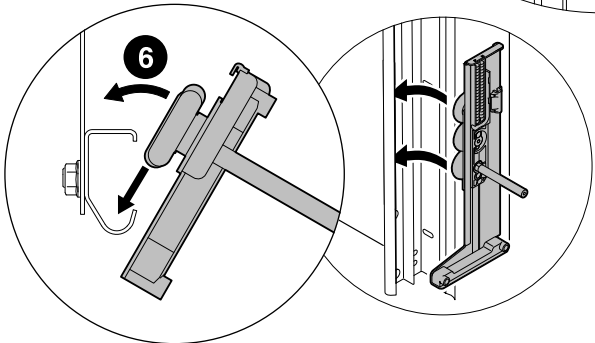
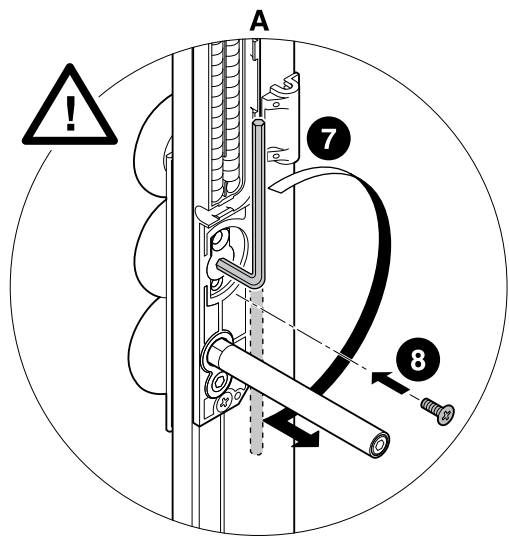
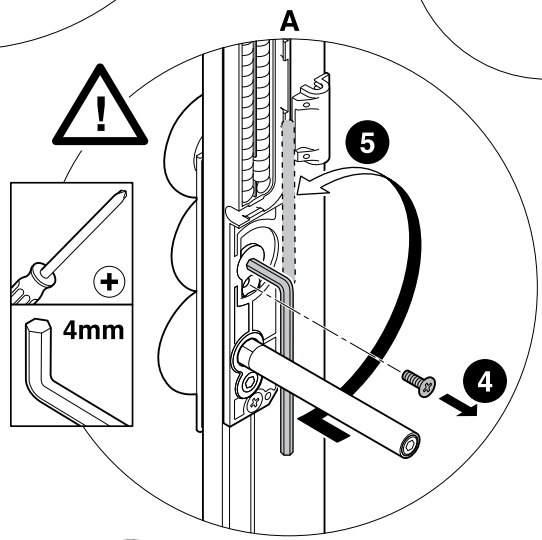
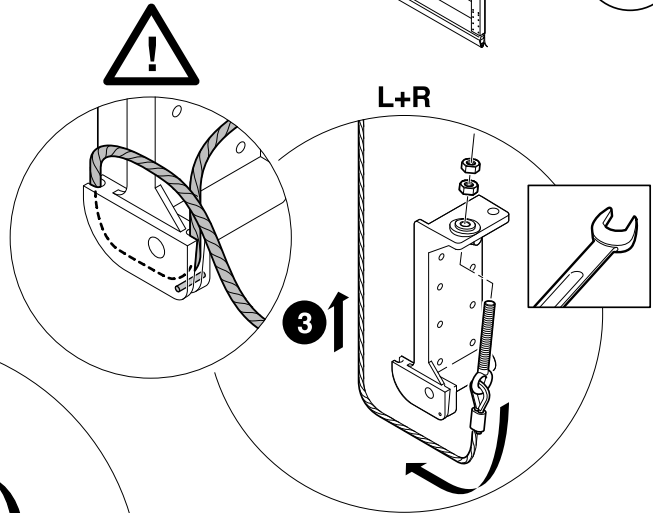
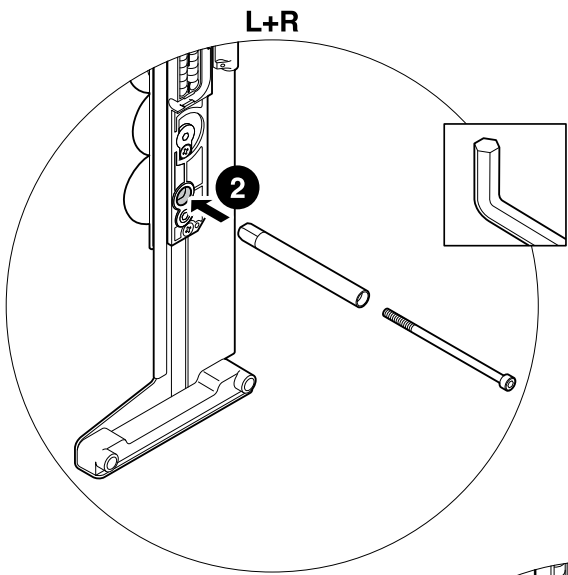
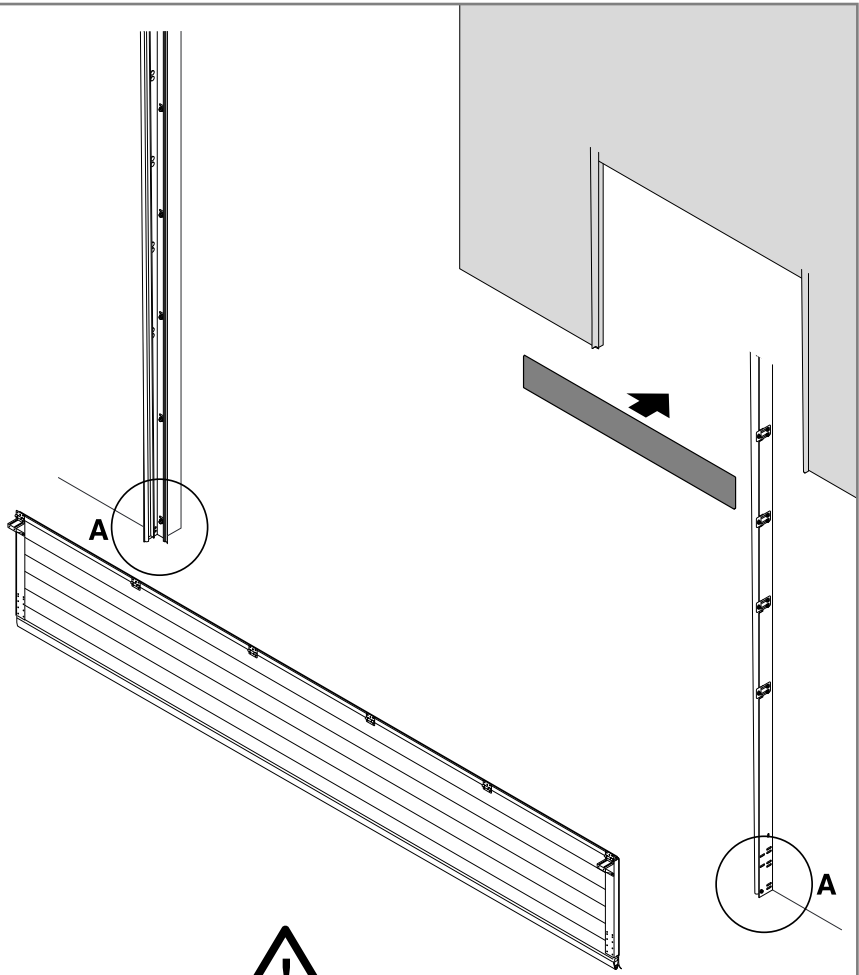
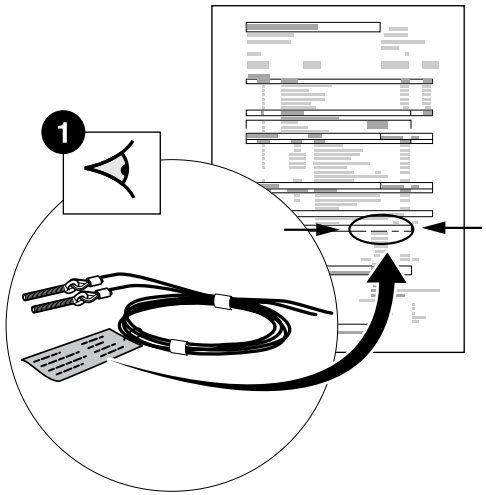
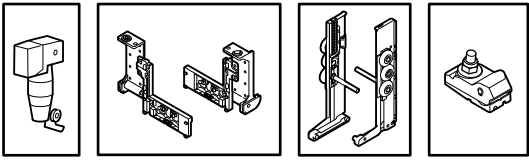
L+R

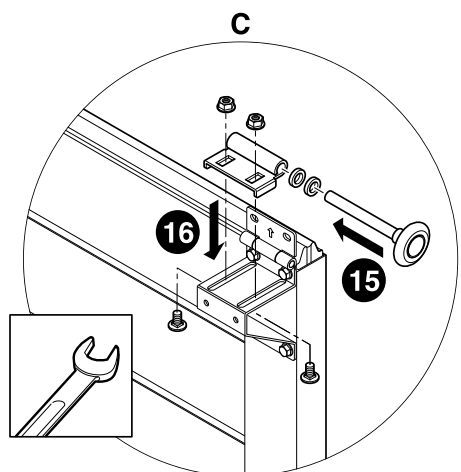
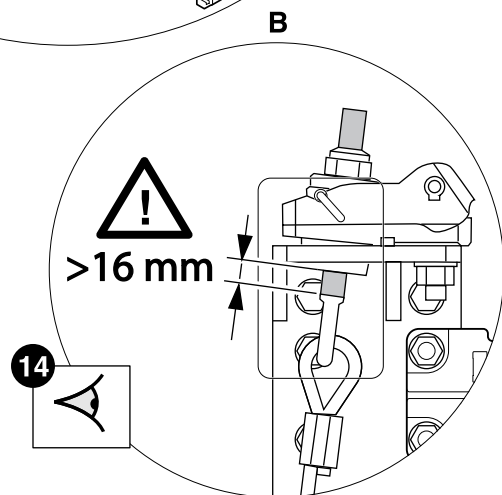
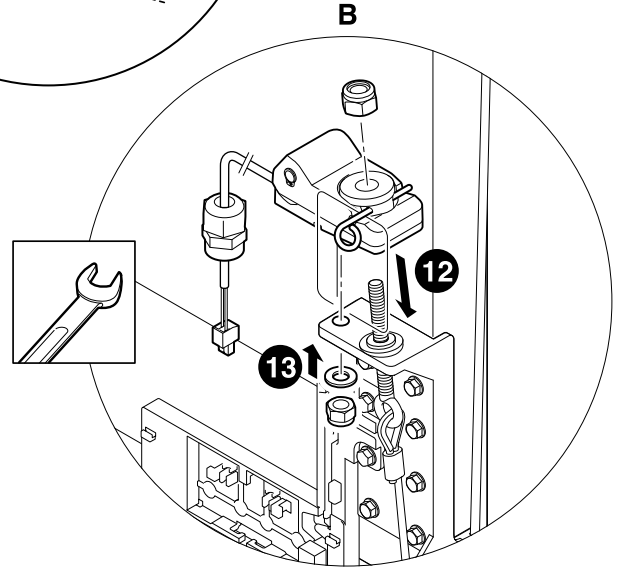
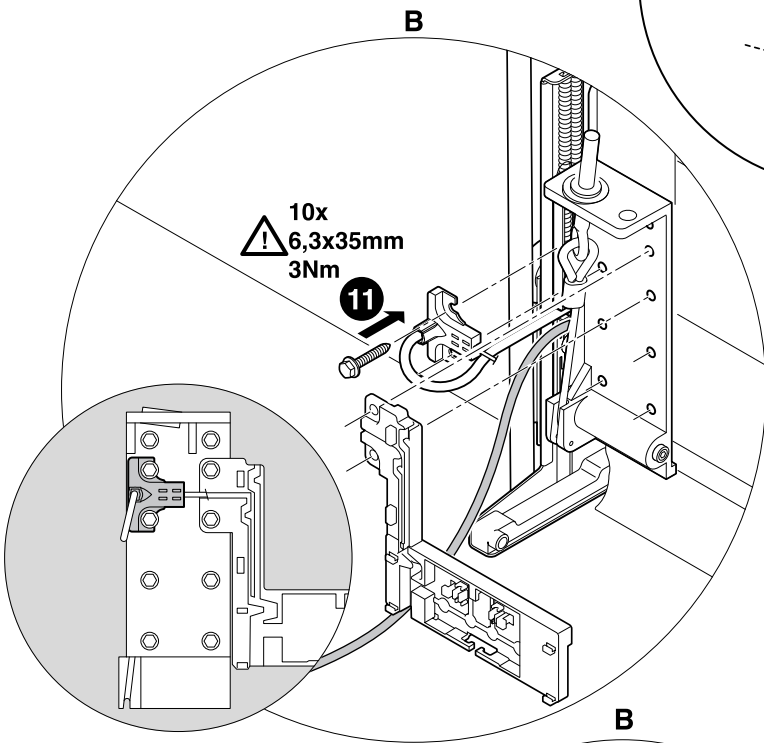
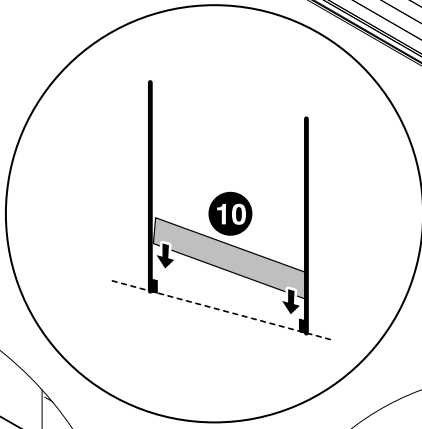
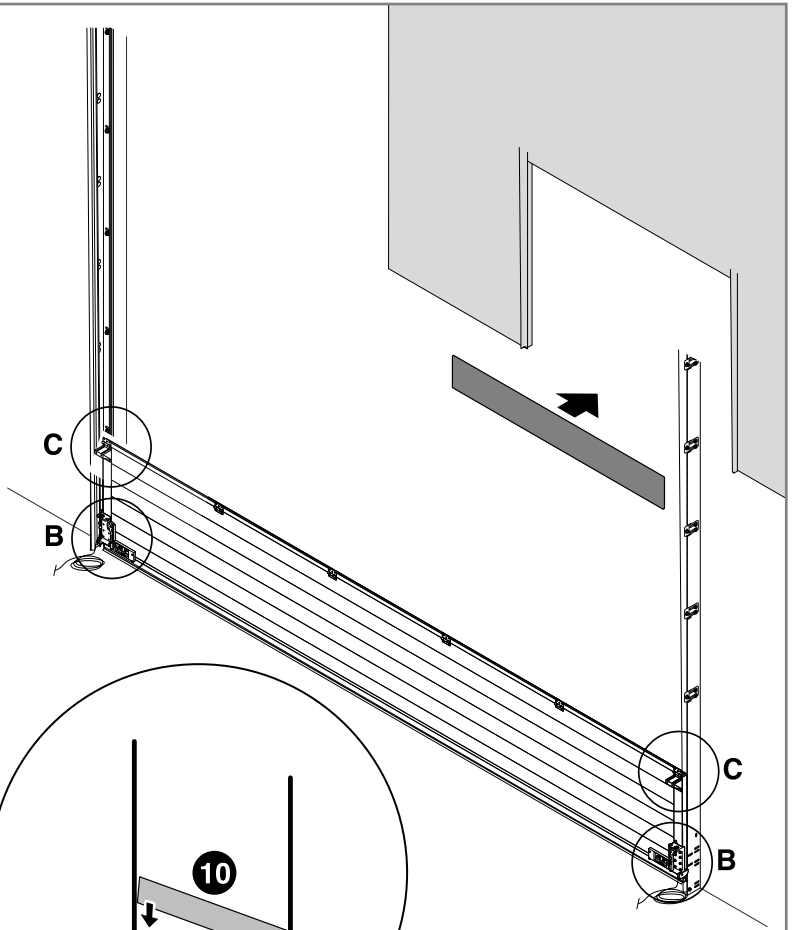
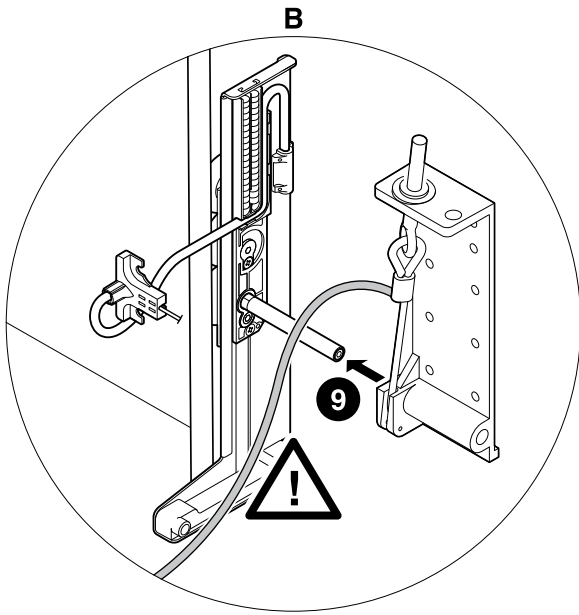
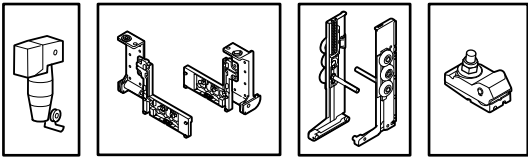


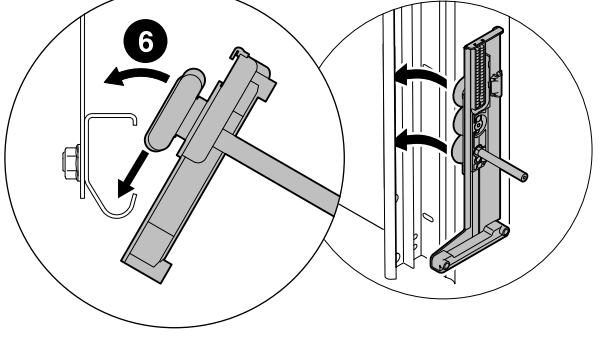
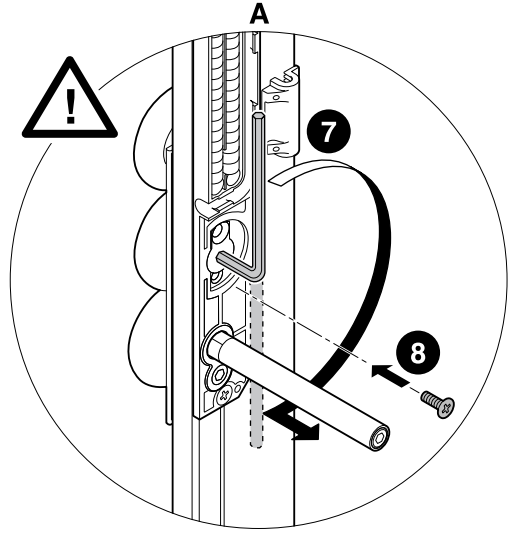
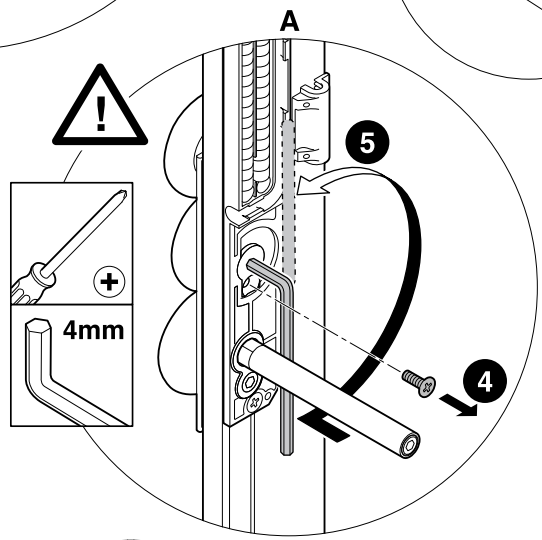
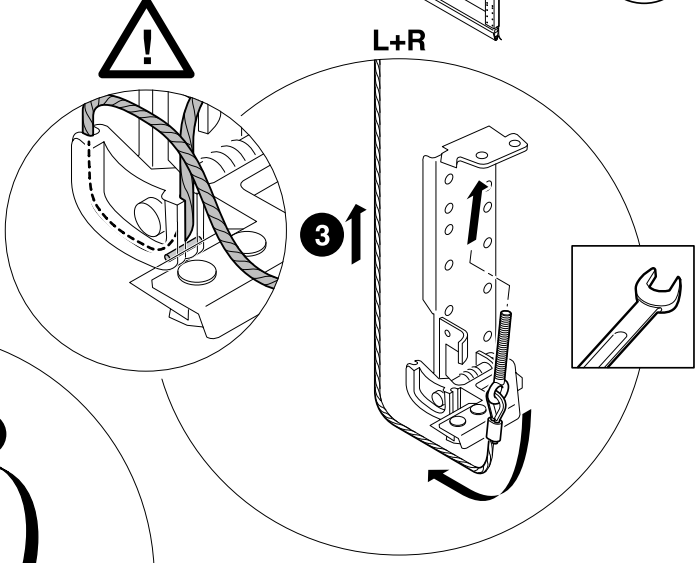
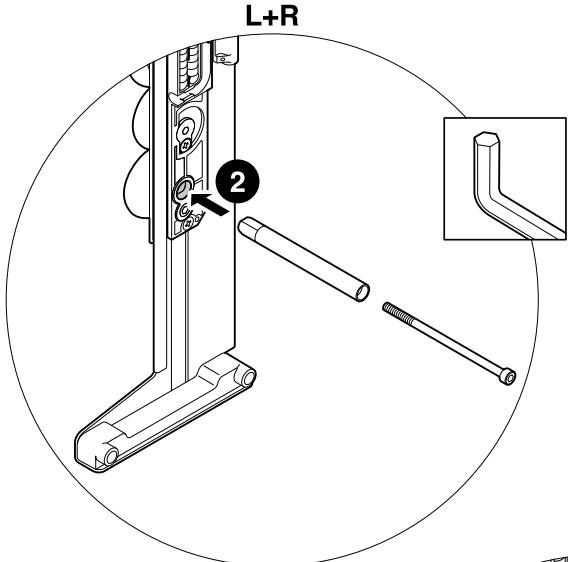
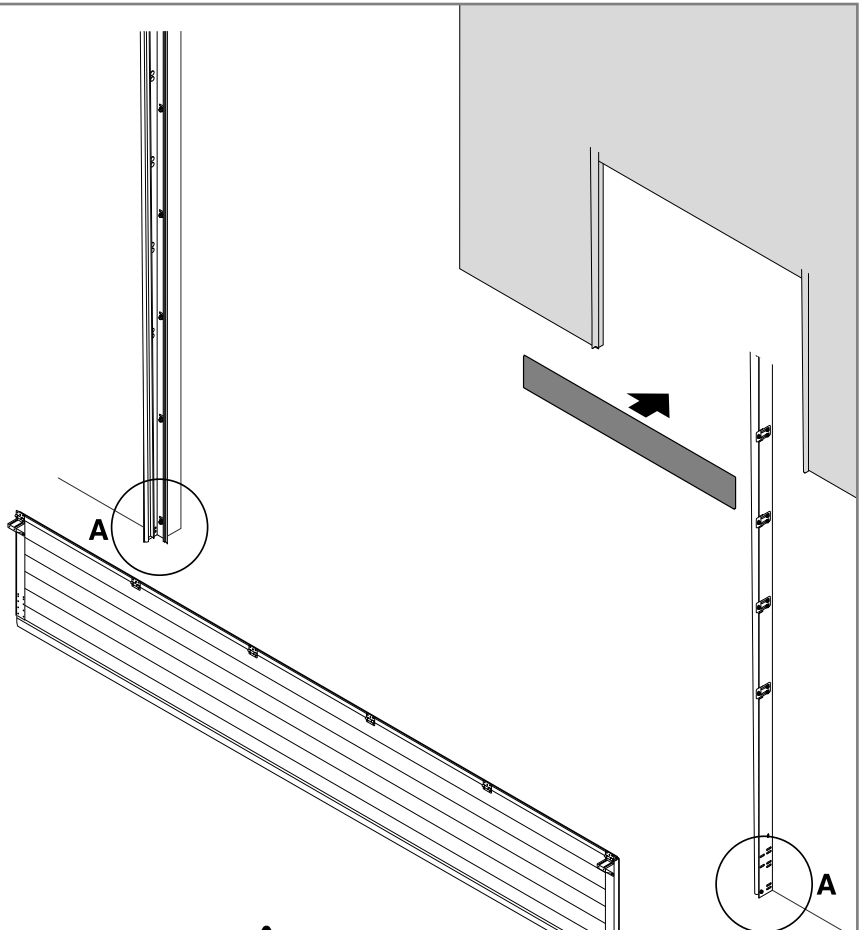
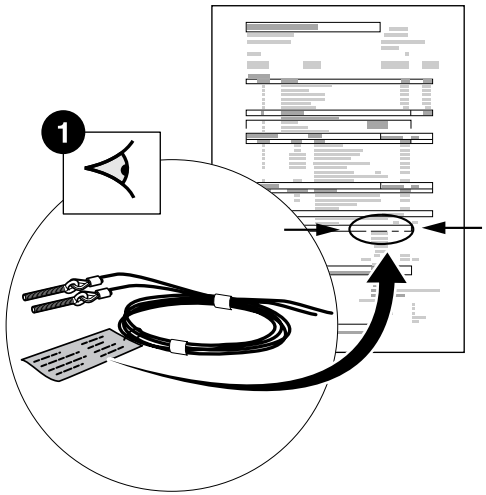
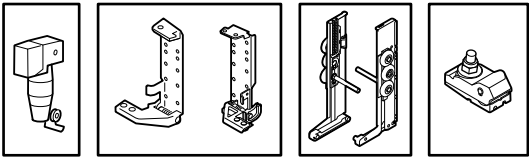


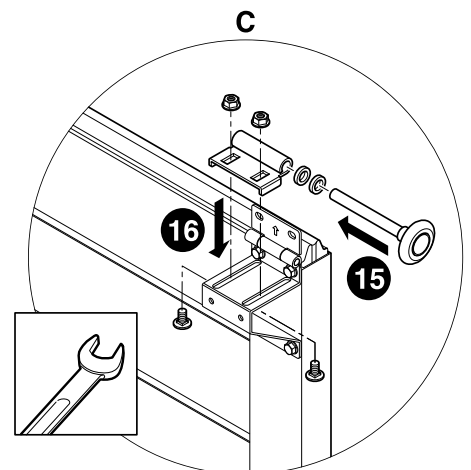
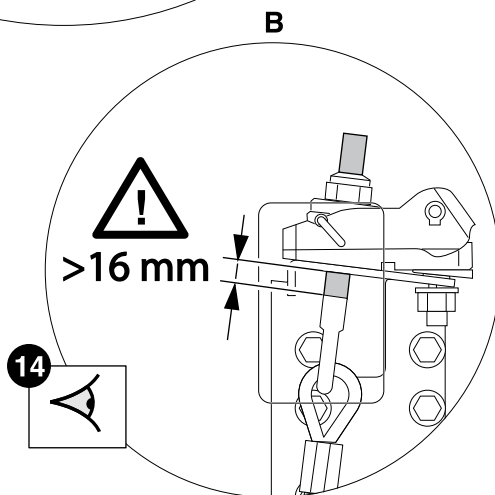
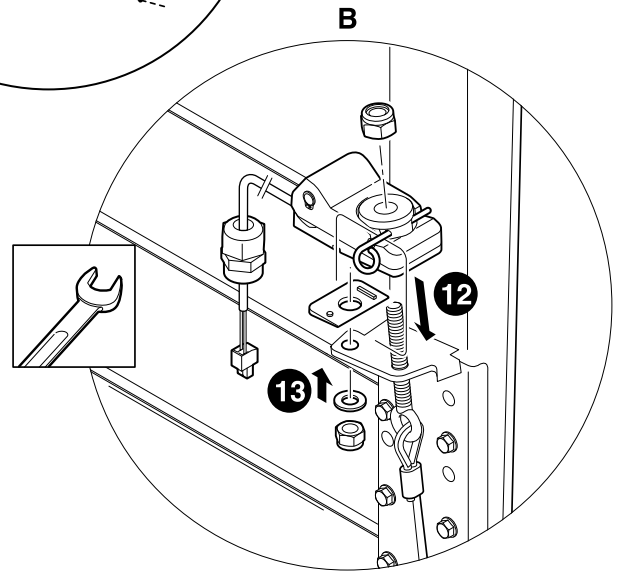
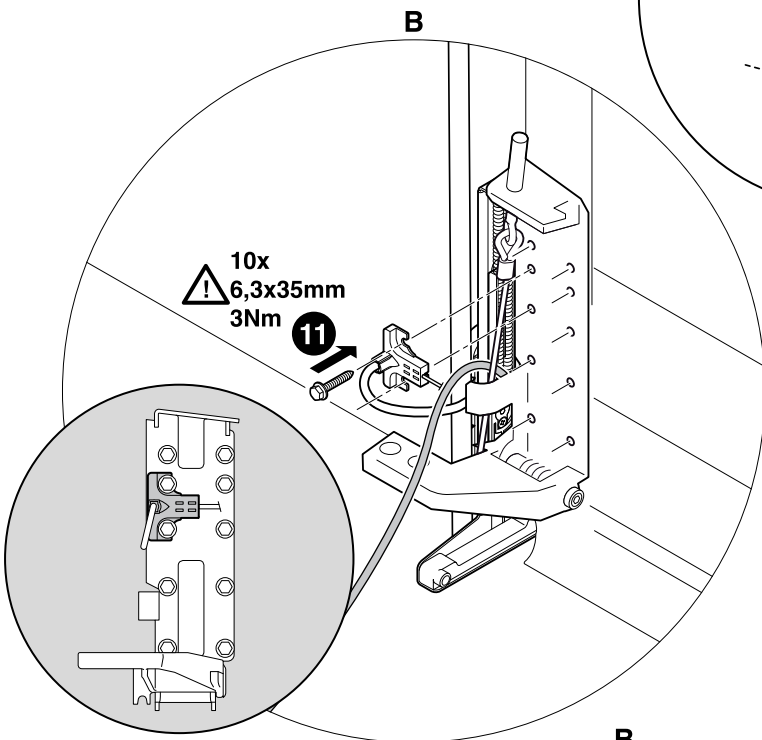
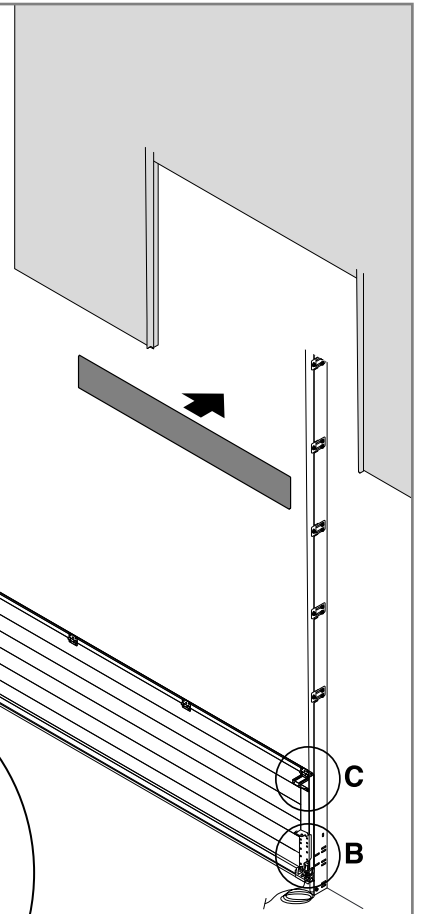
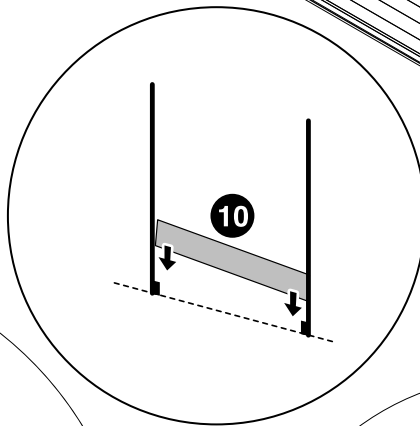
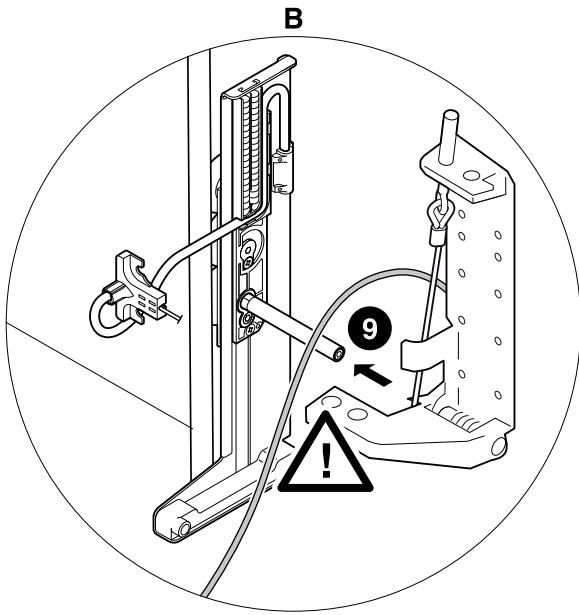
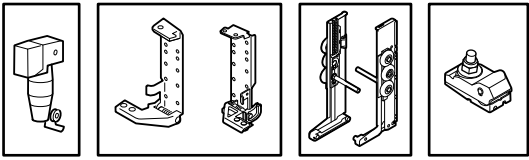
L+R

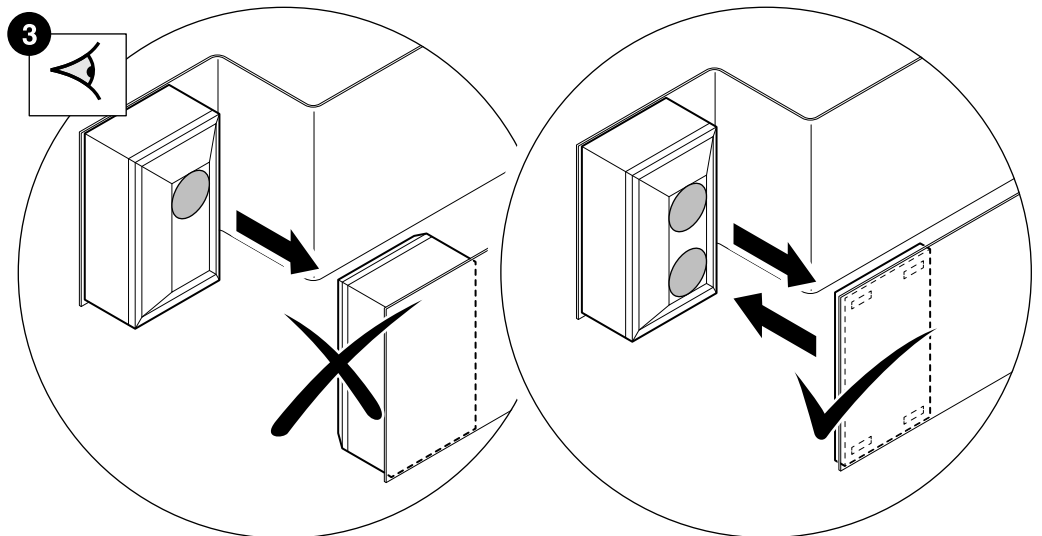
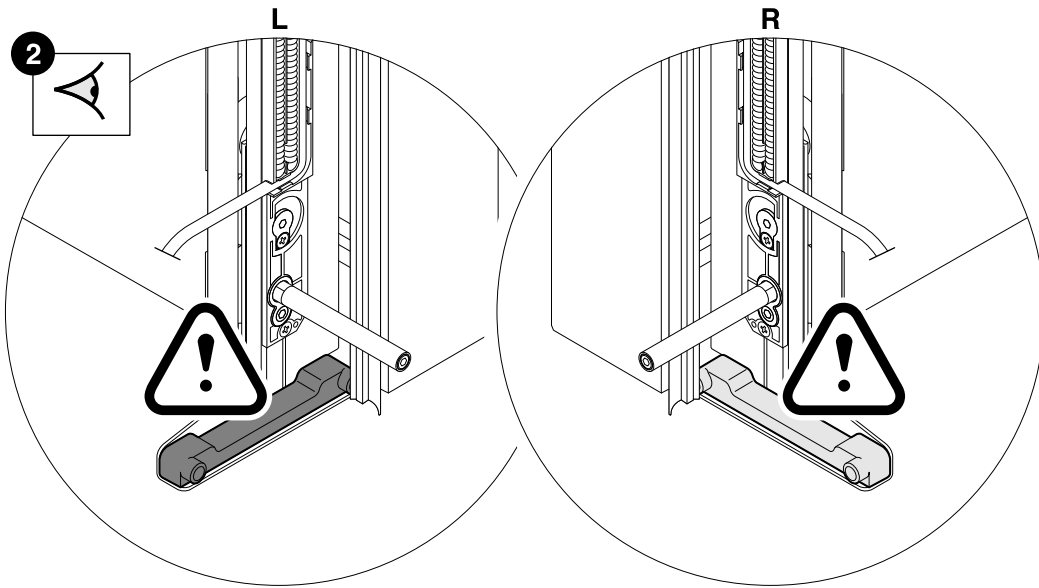
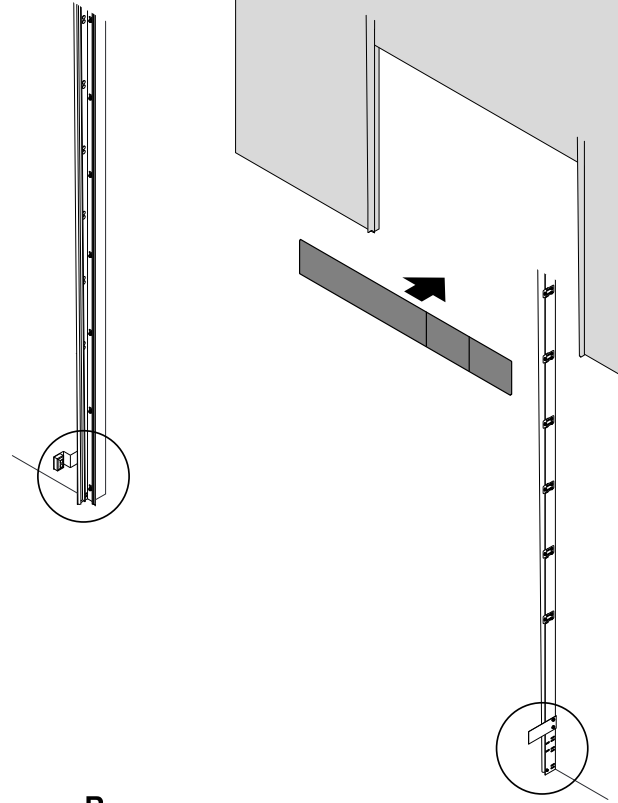
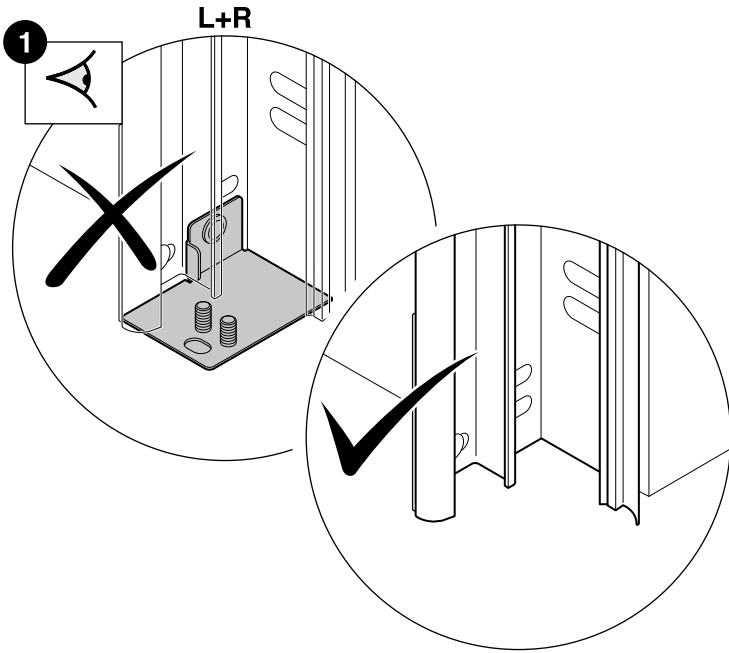
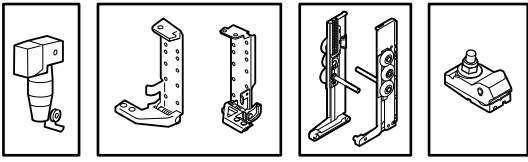


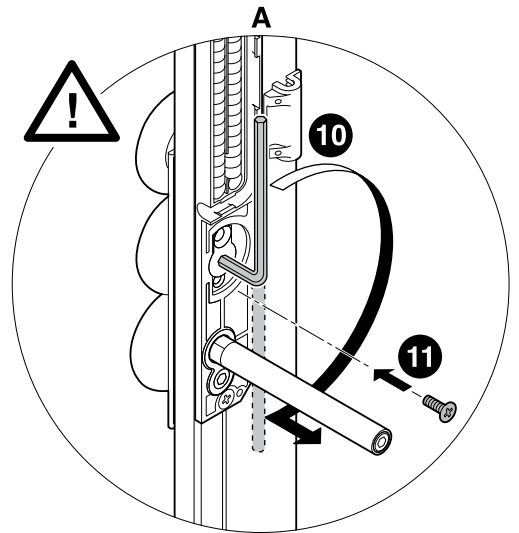
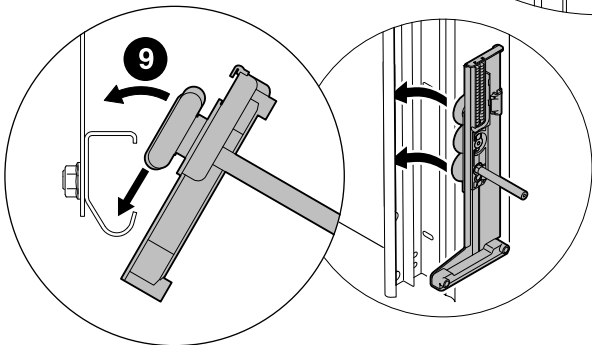
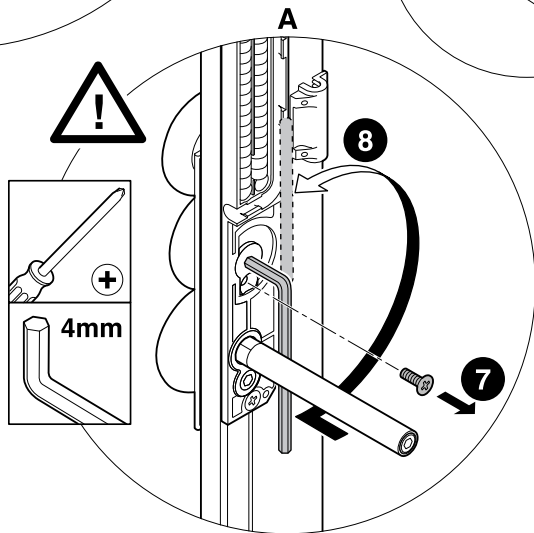
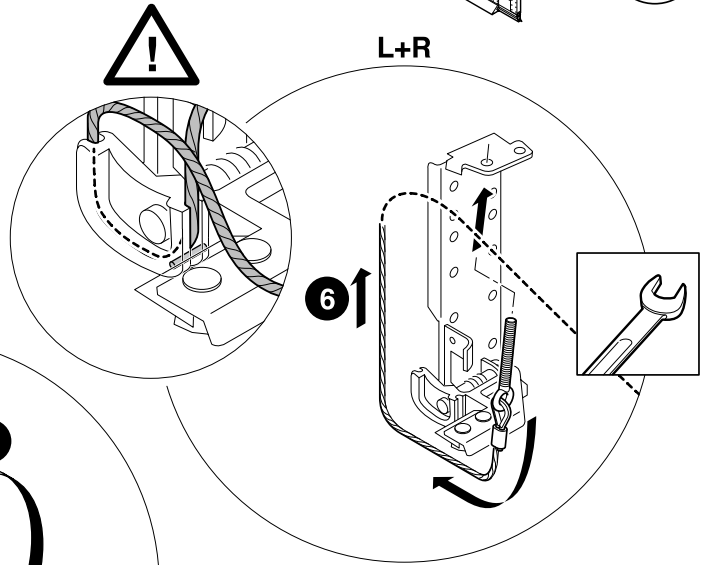
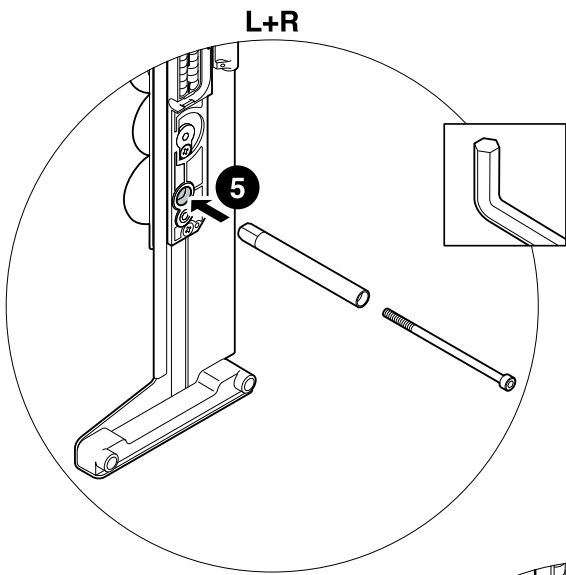
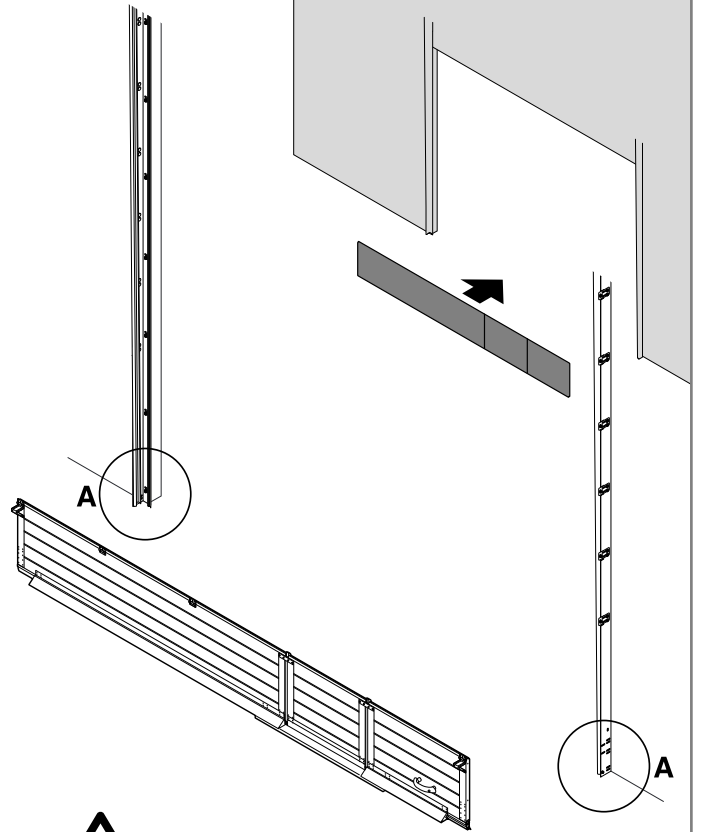
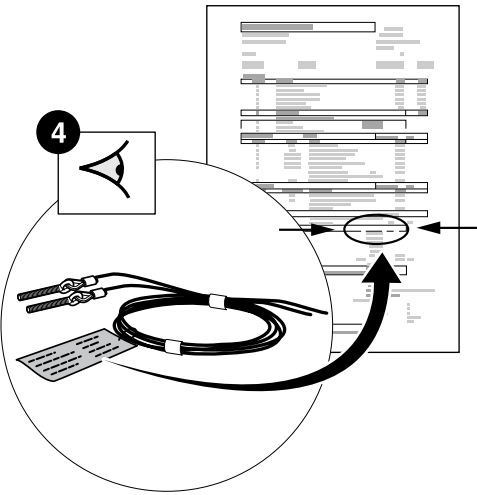
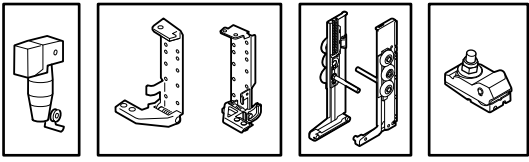


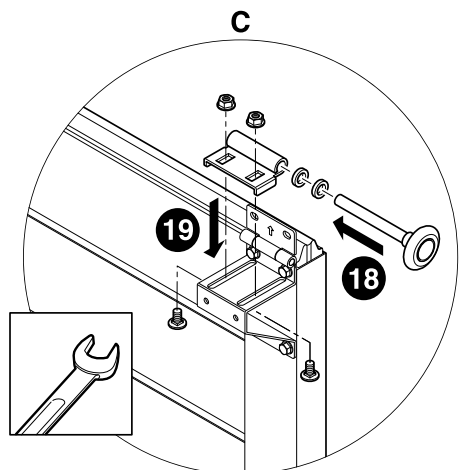
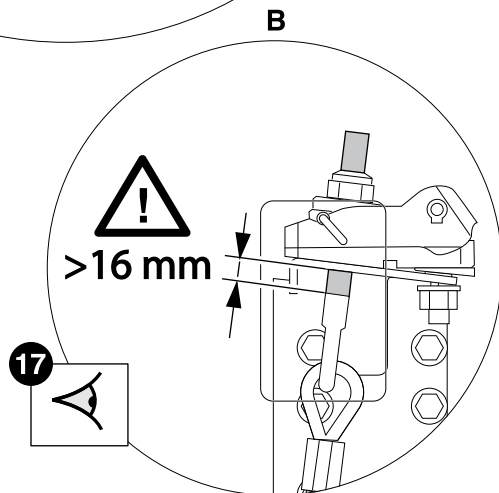
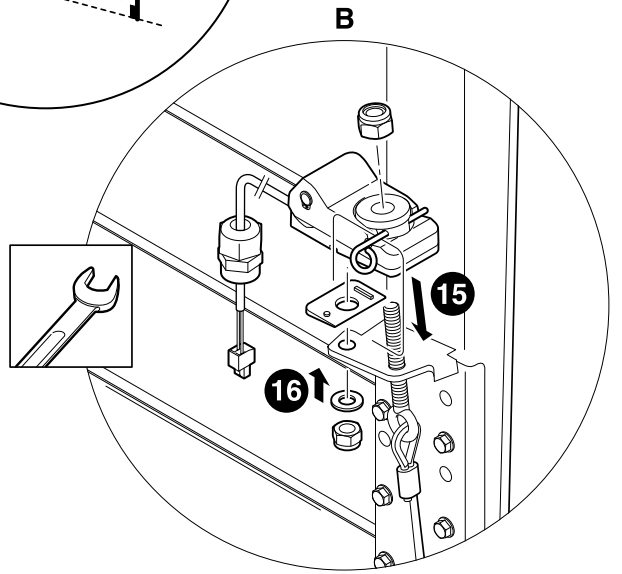
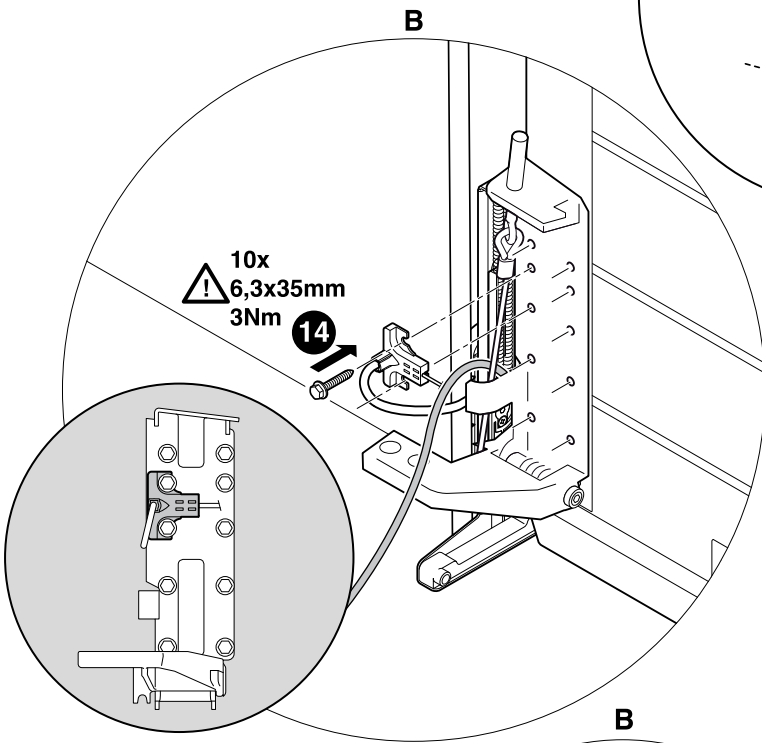
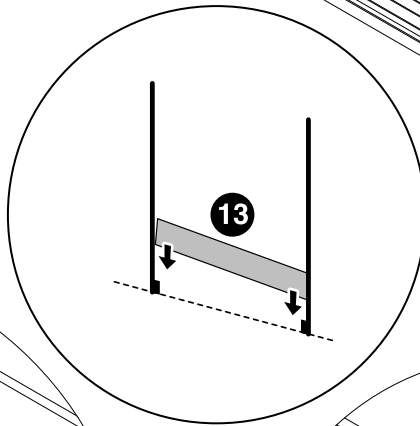
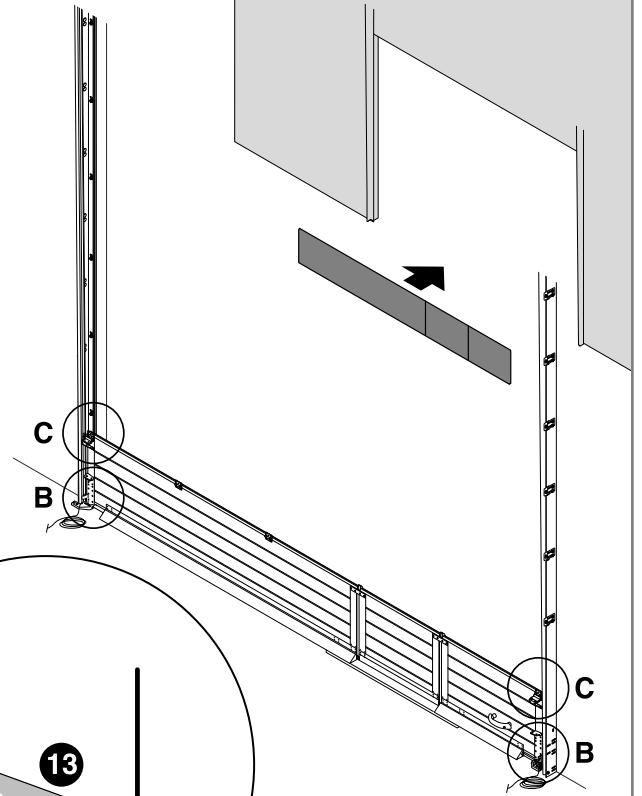
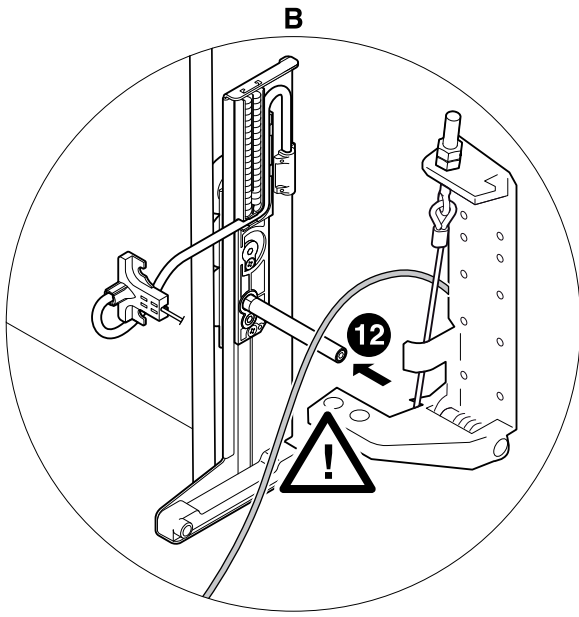
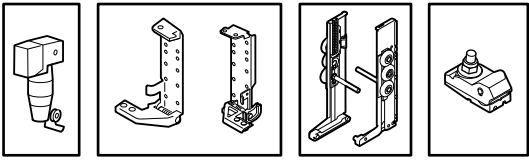


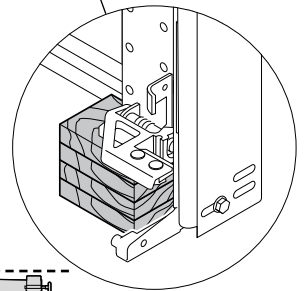
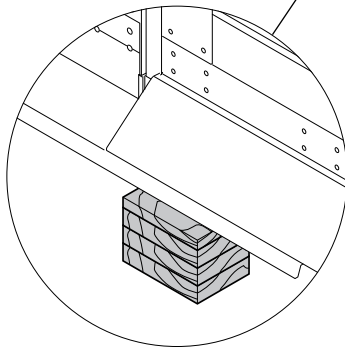
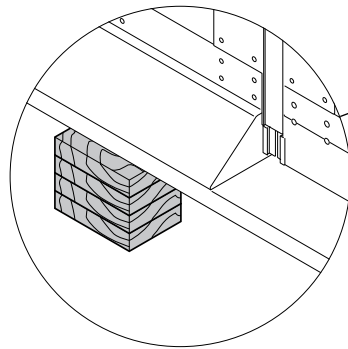
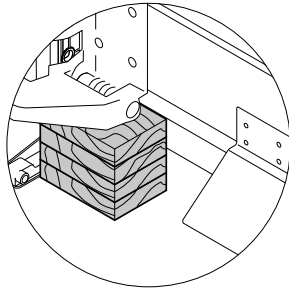
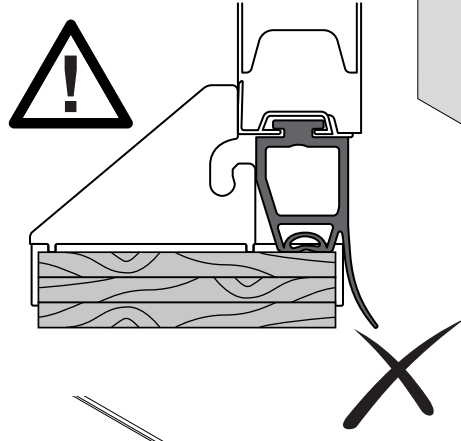
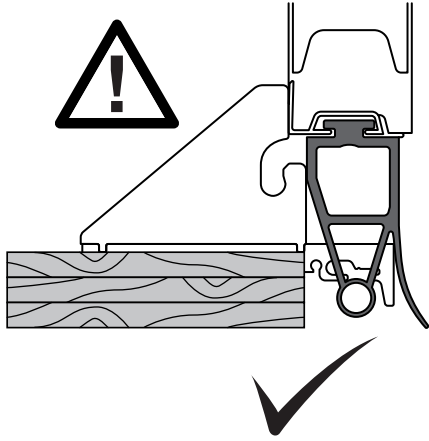
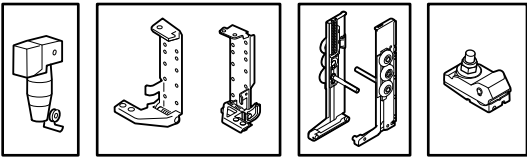








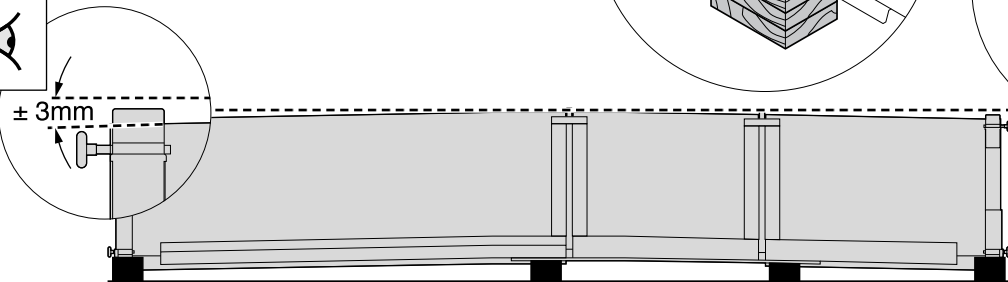


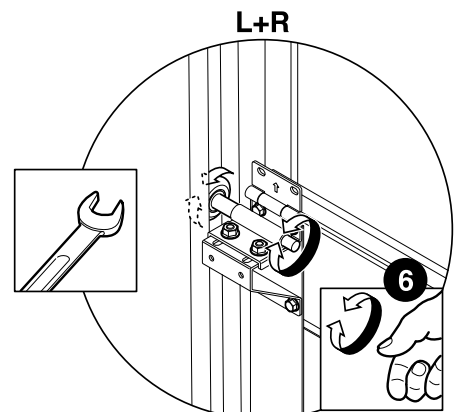
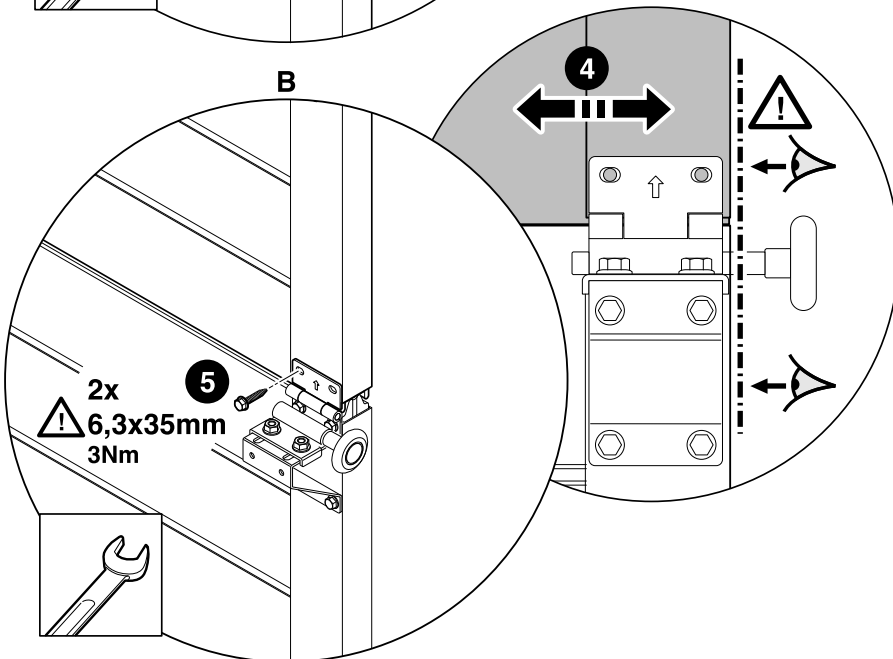
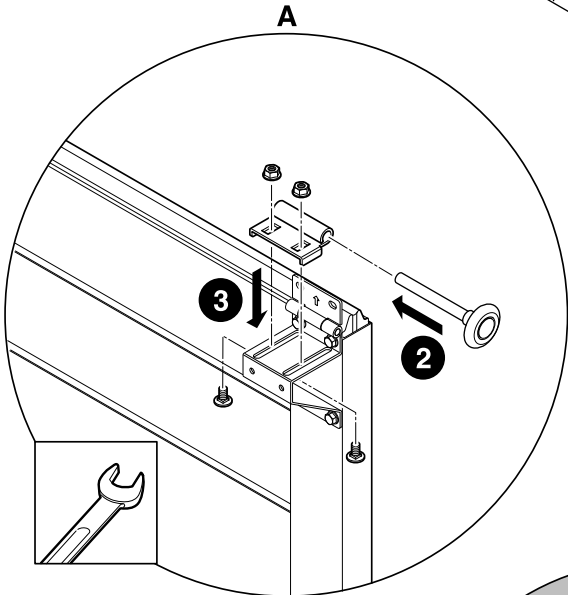
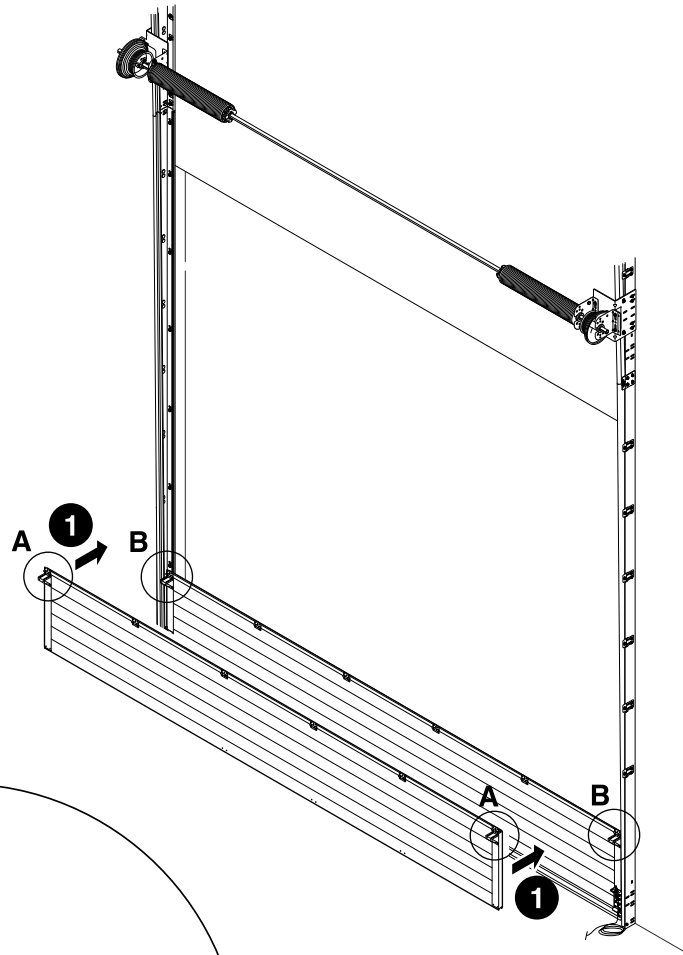
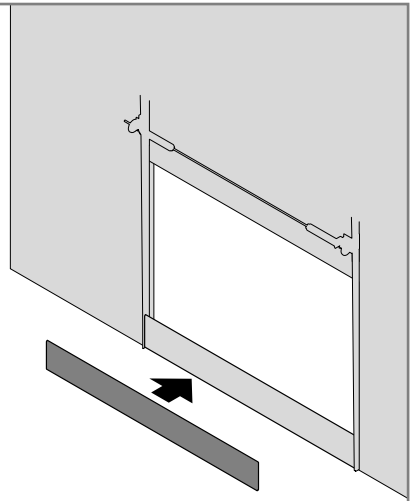


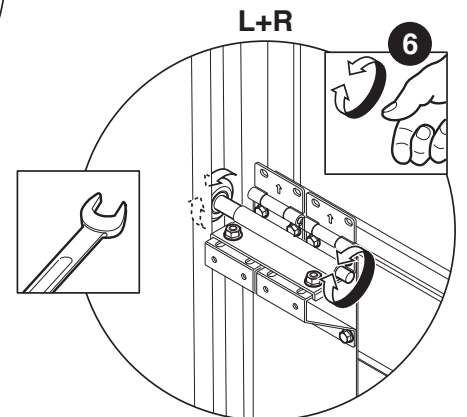
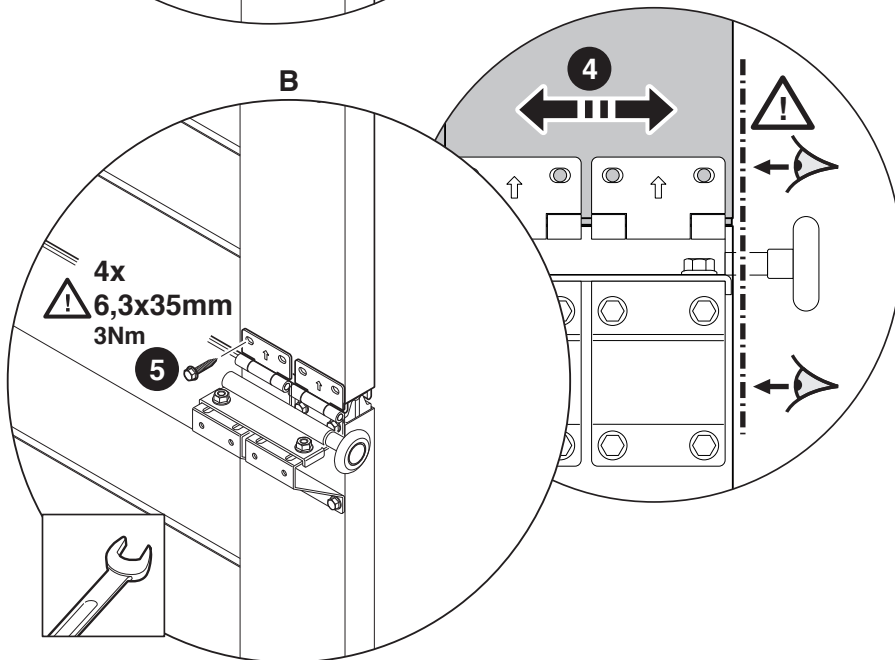
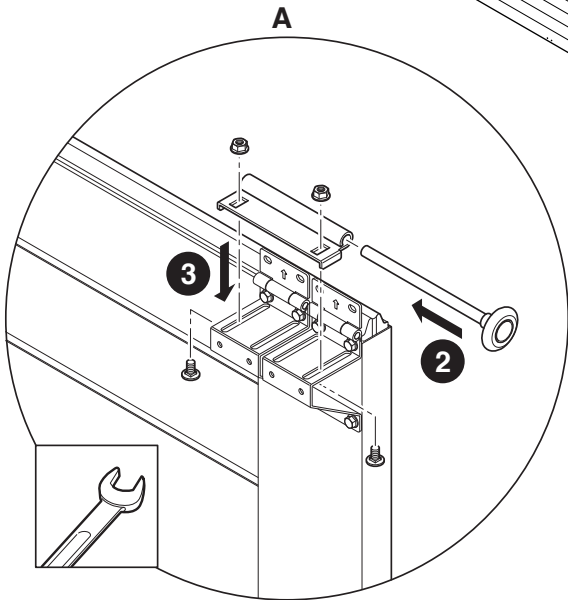
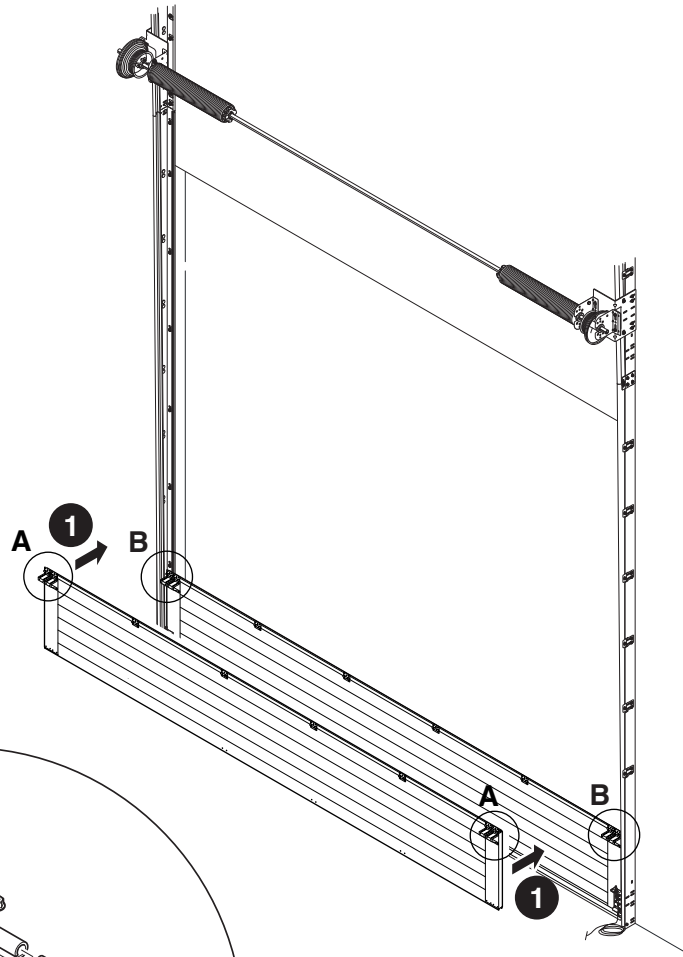
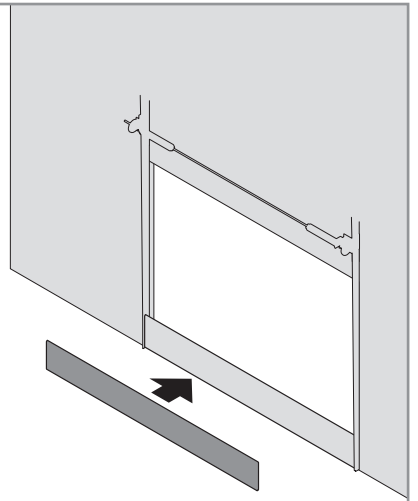
20

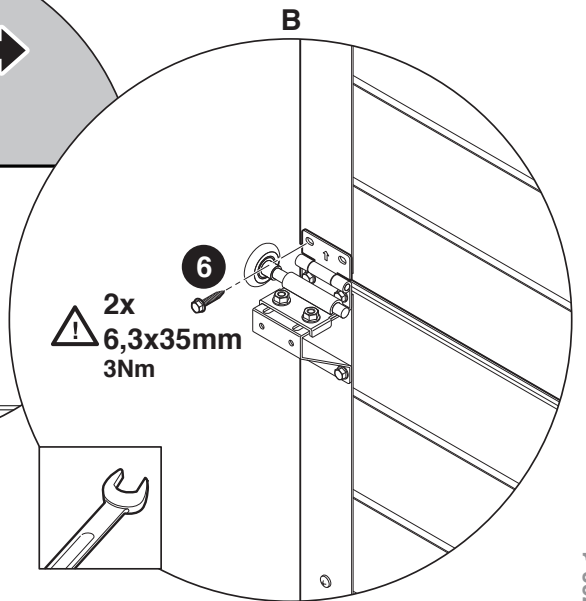
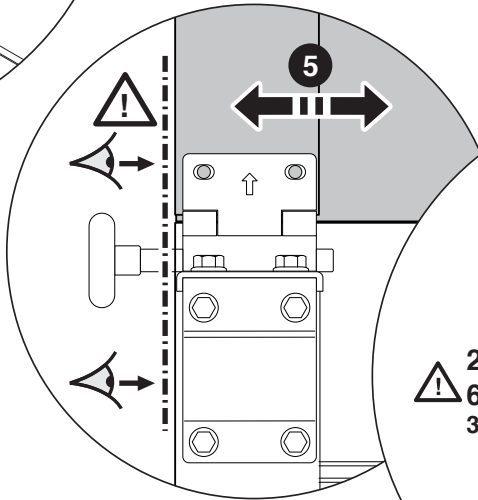
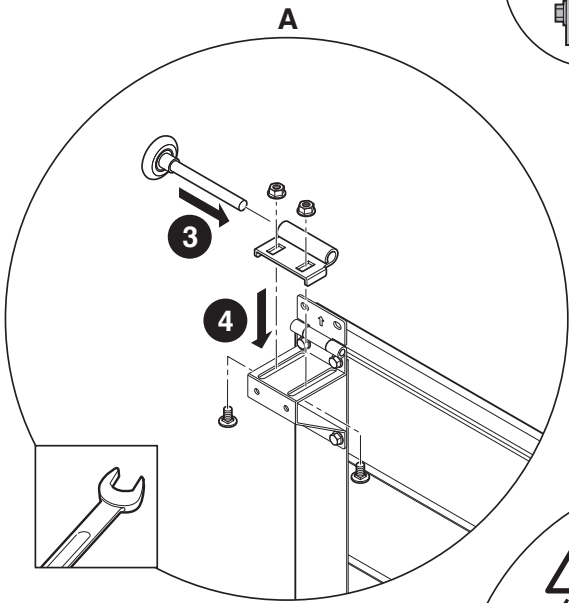
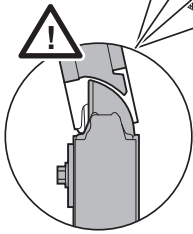
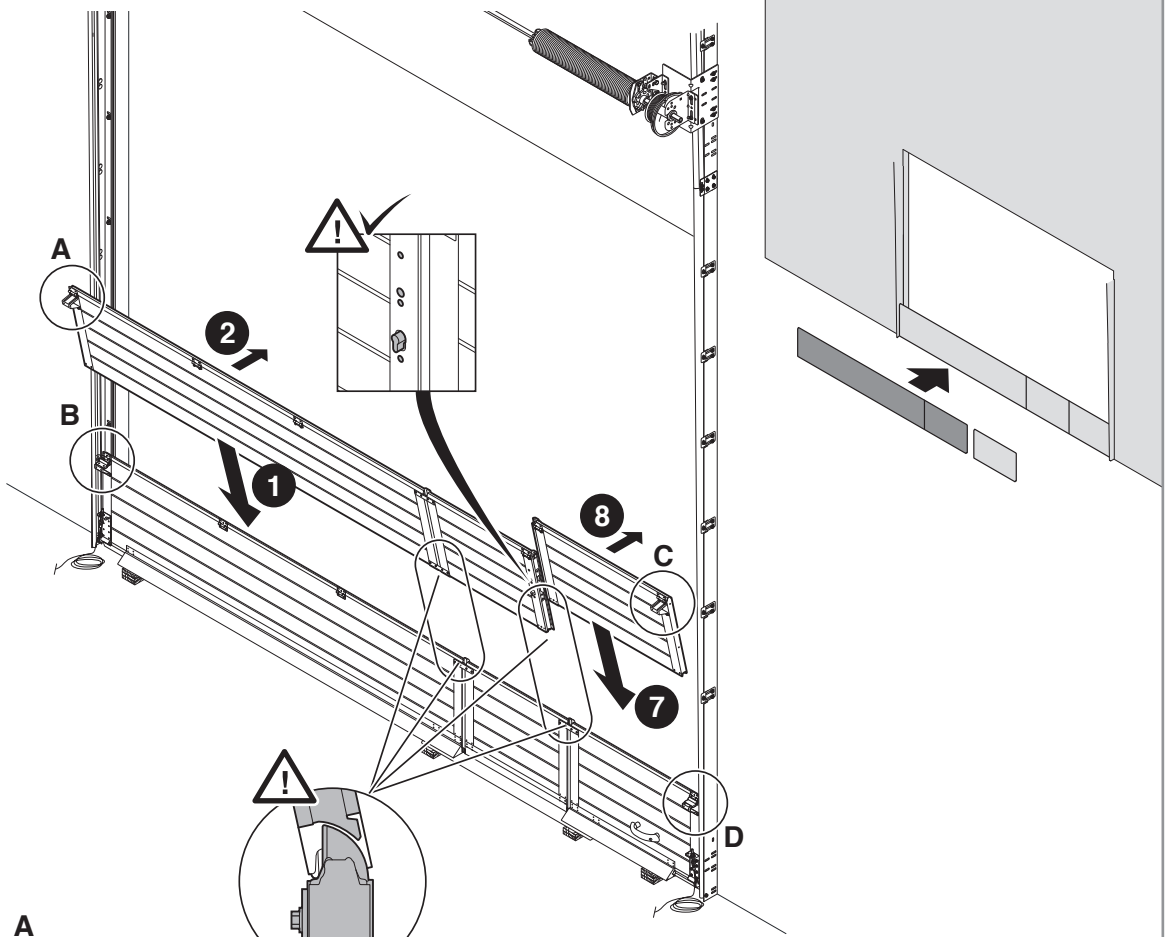


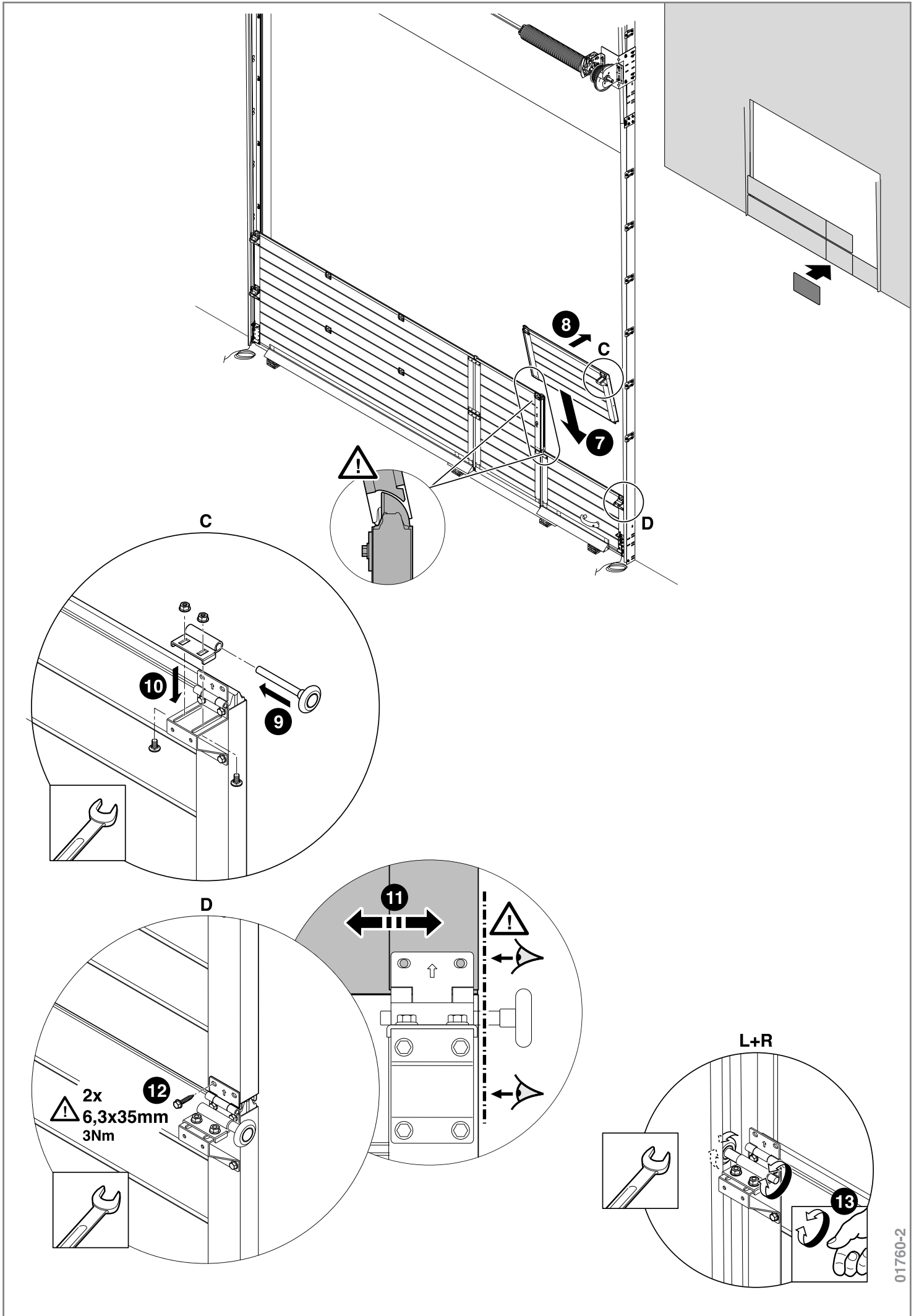
± 3mm

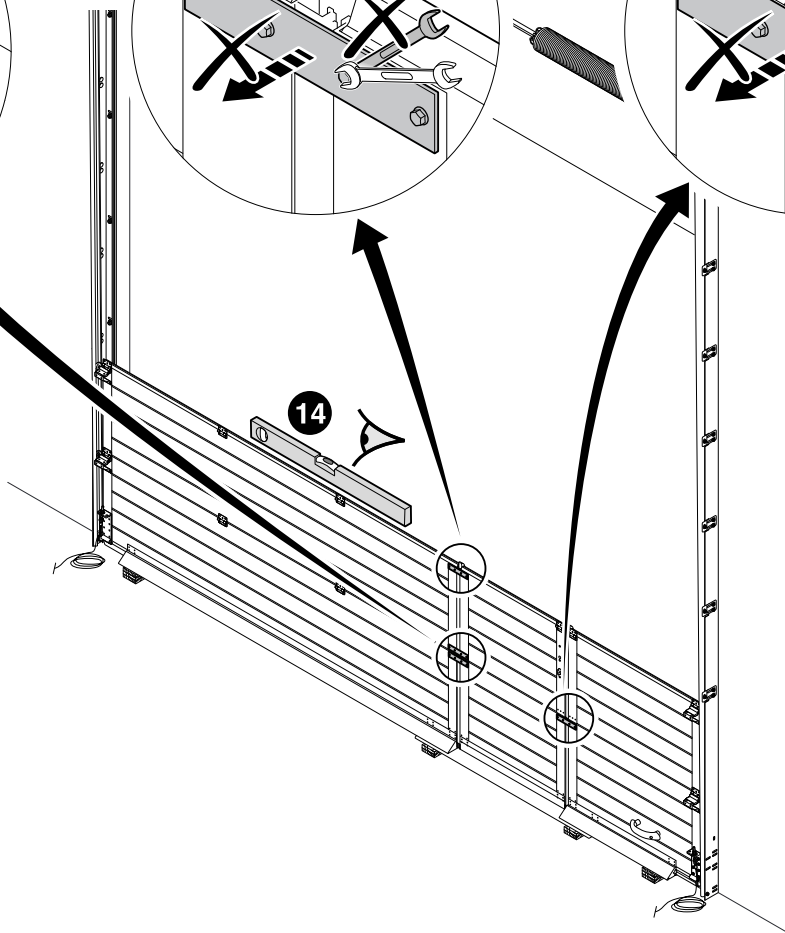
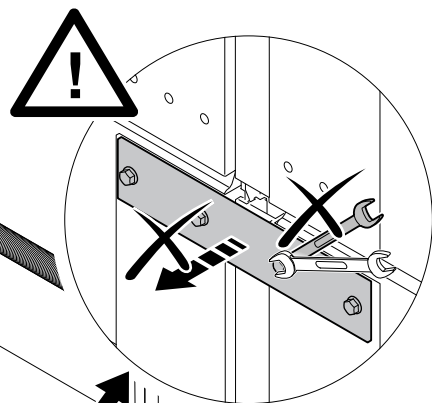
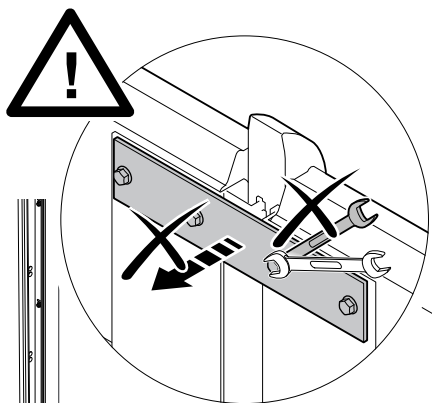
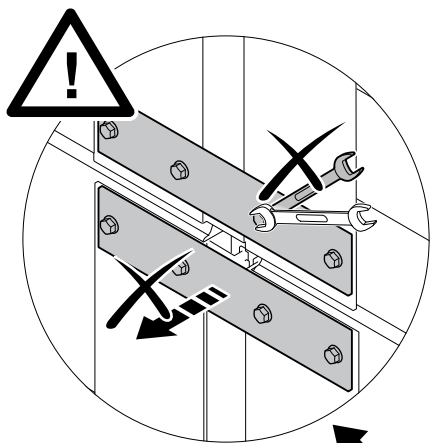
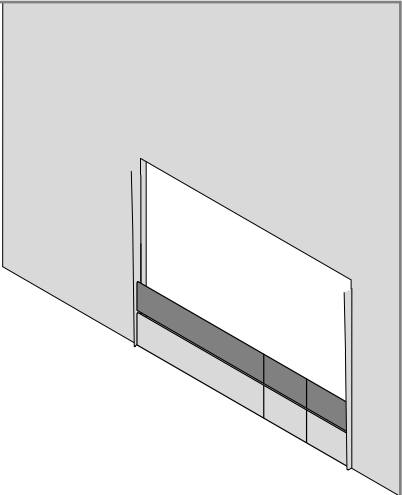


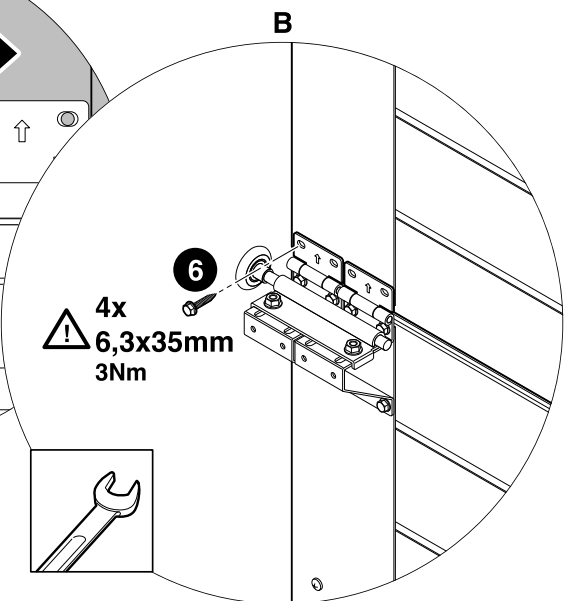
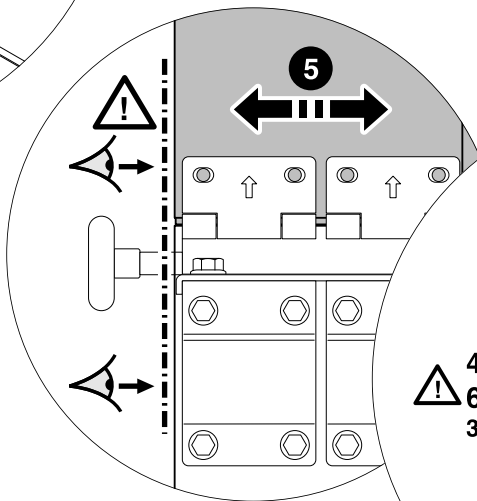
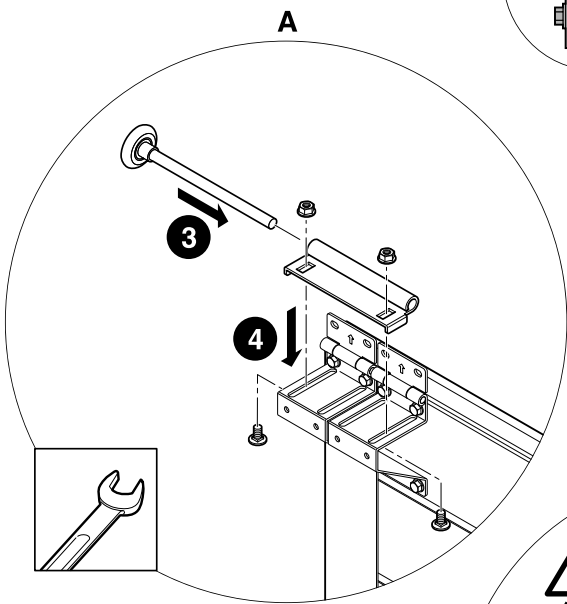
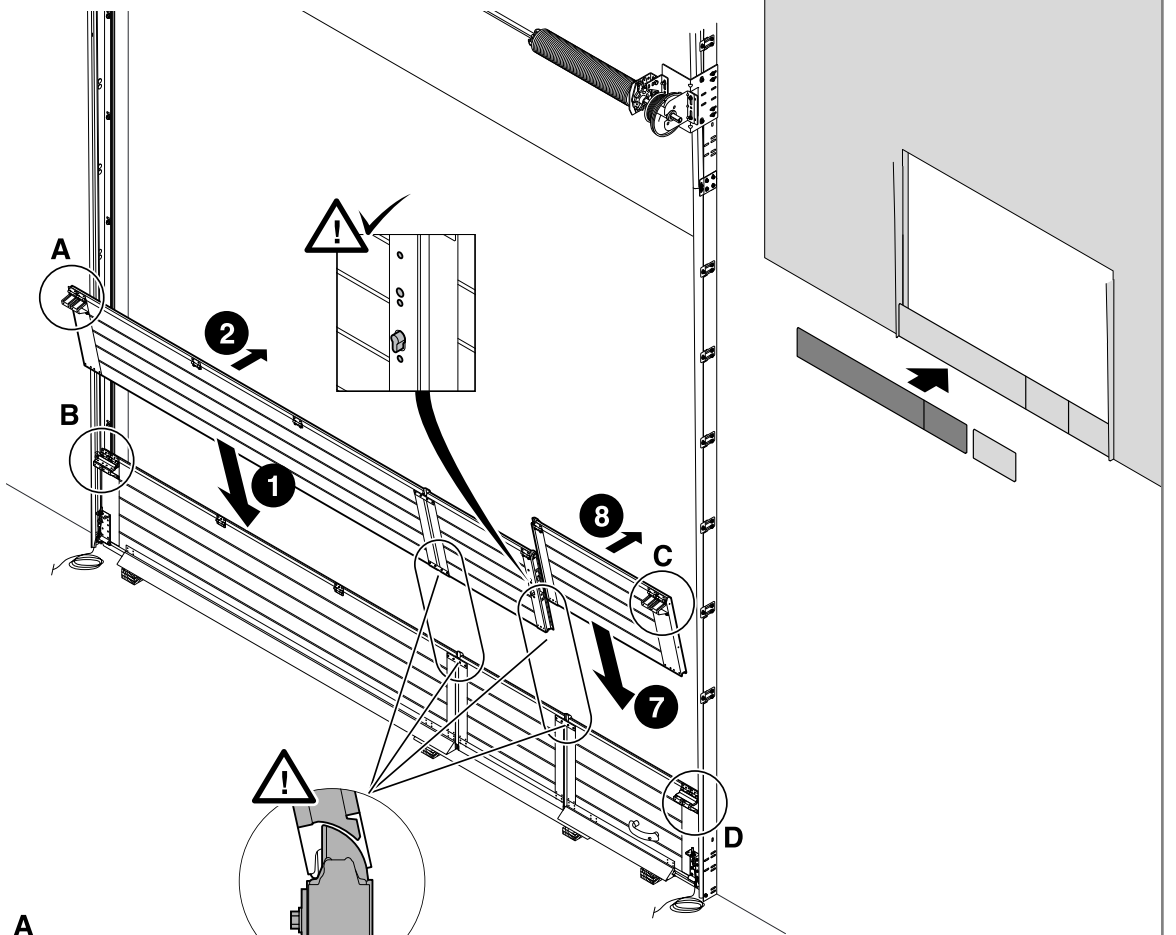


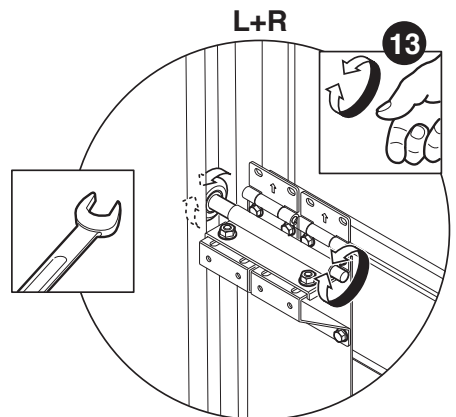
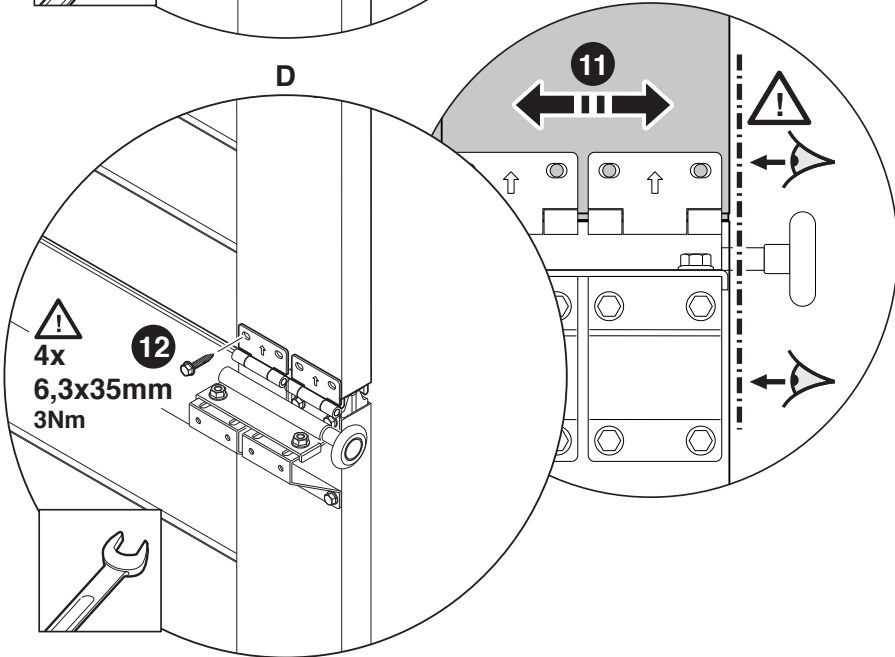
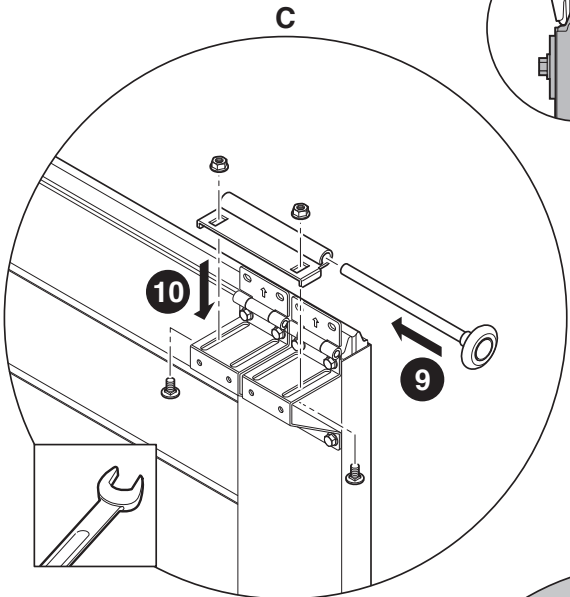
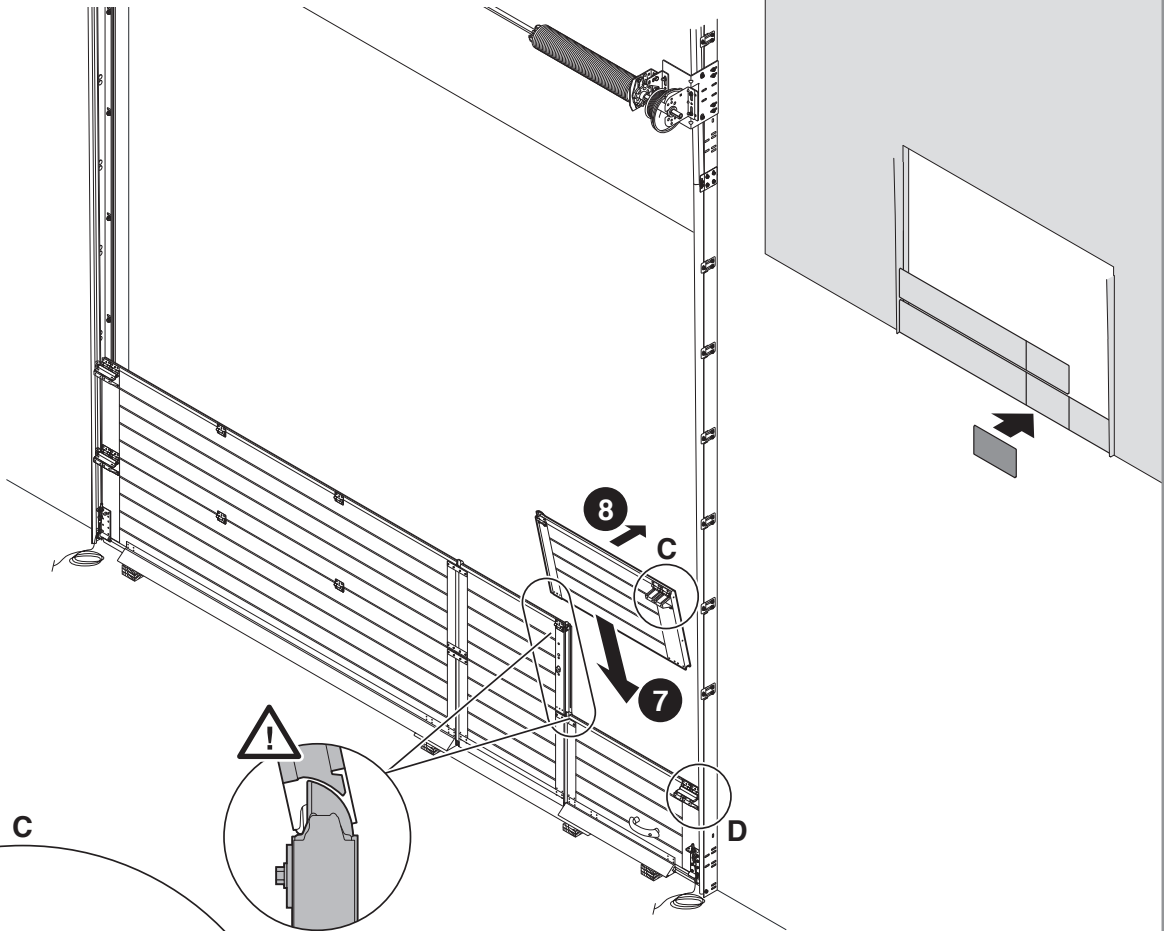


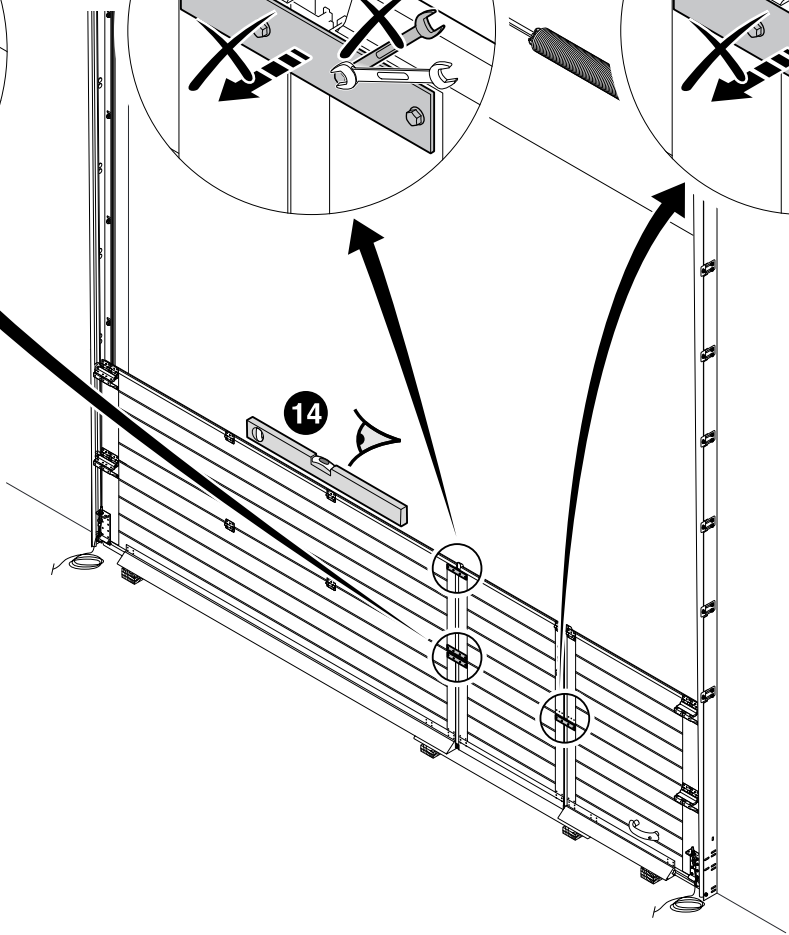
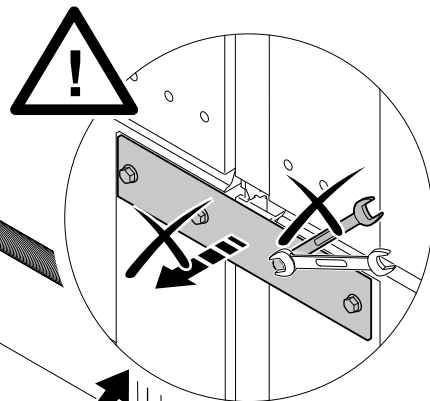
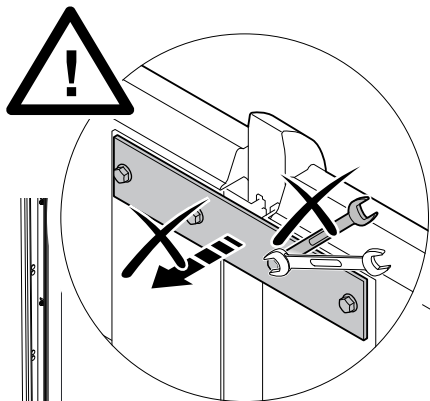
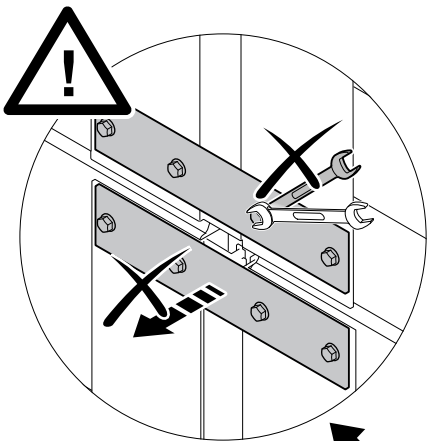
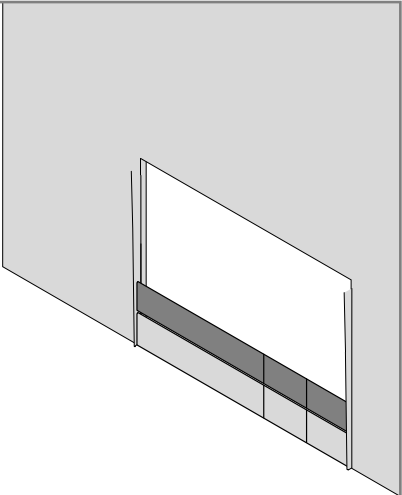


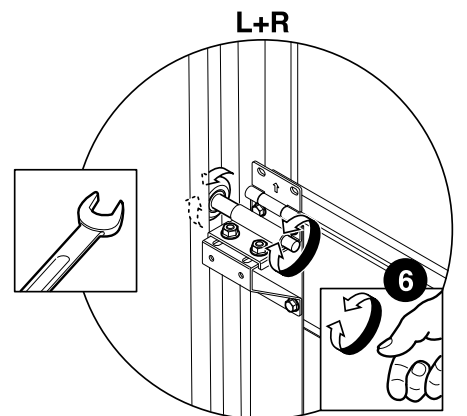
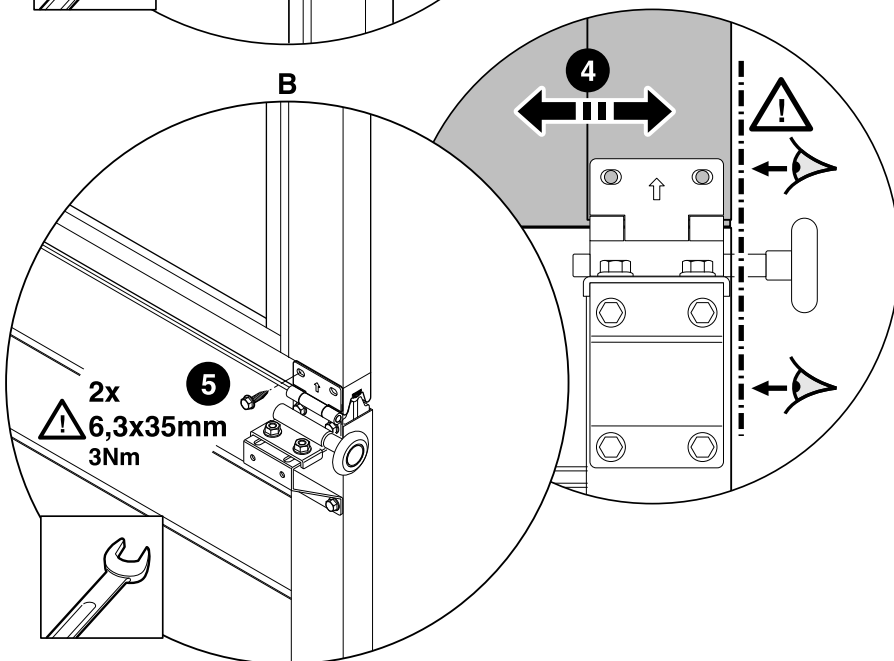
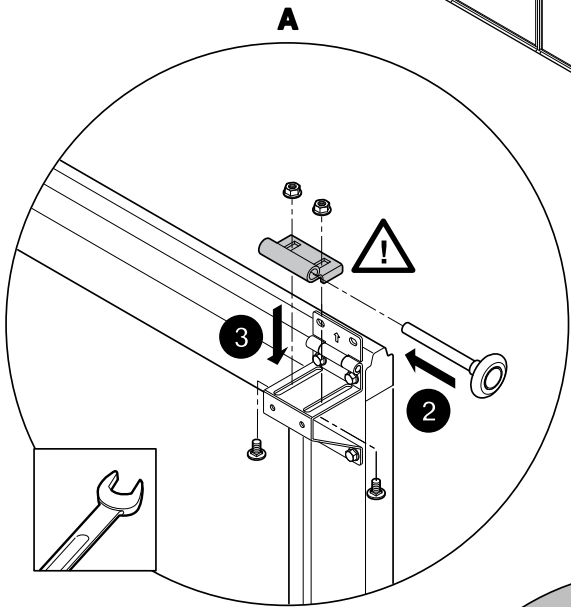
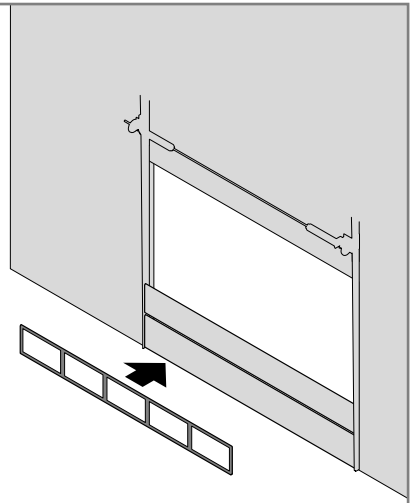
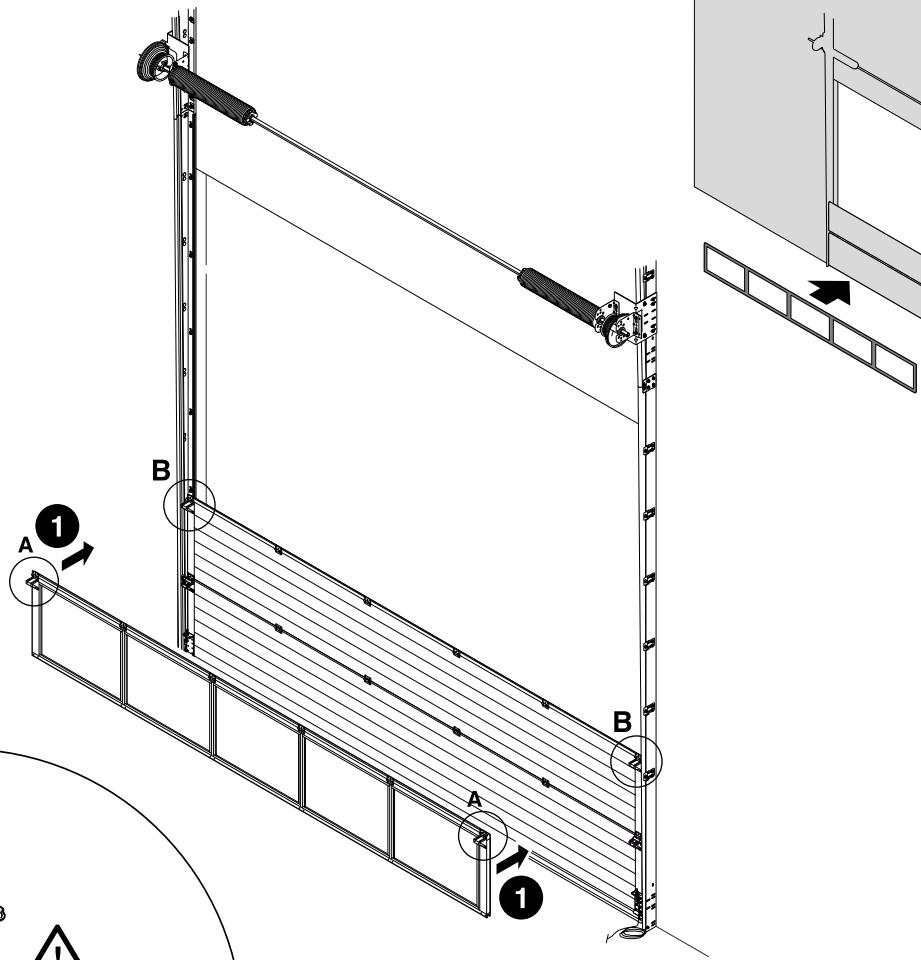


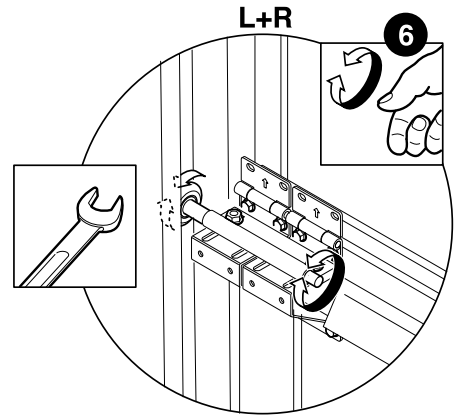
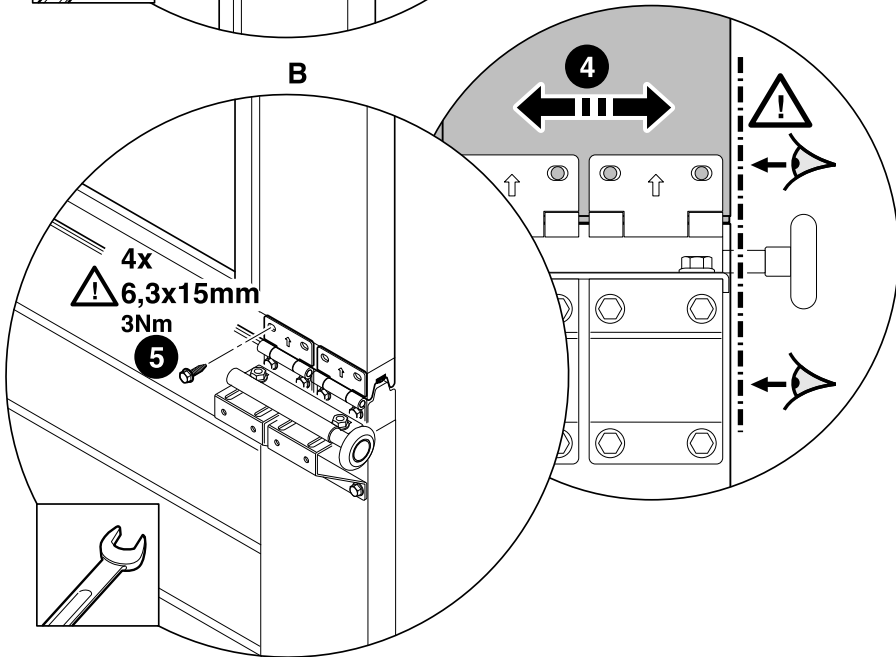
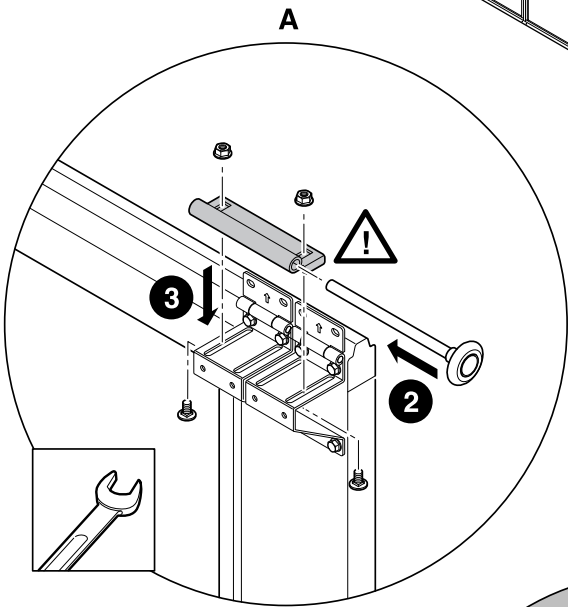
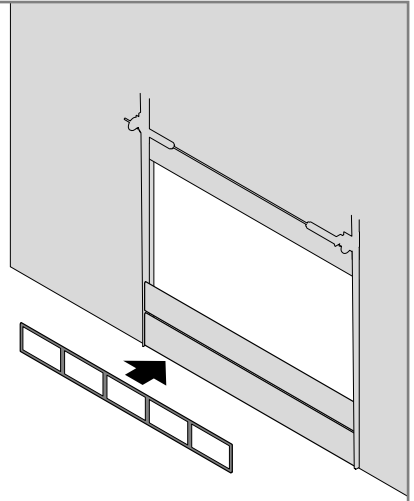
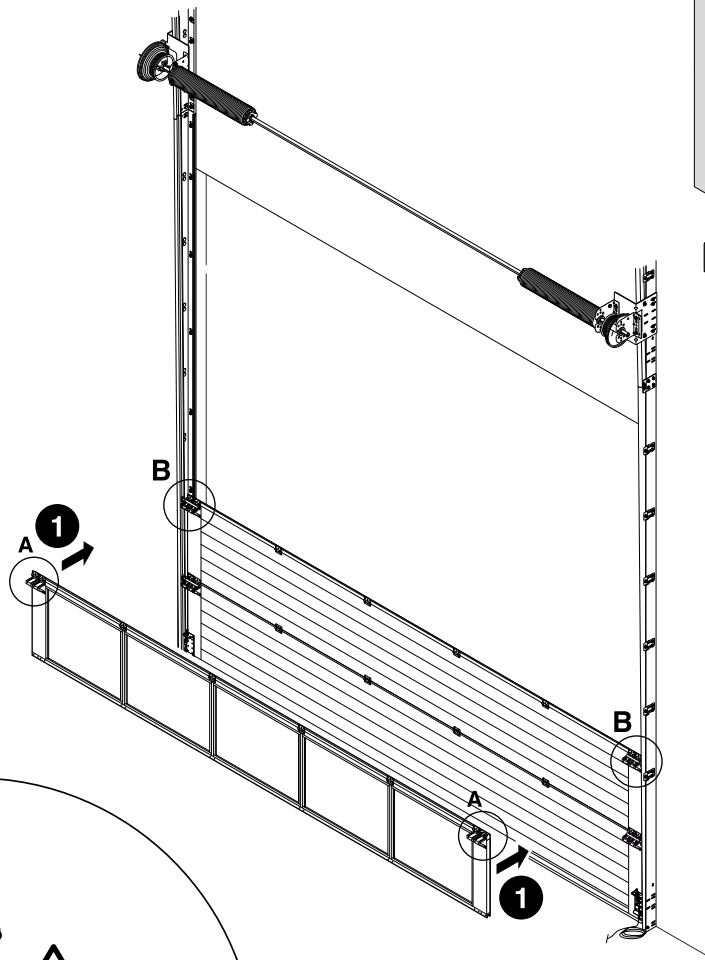


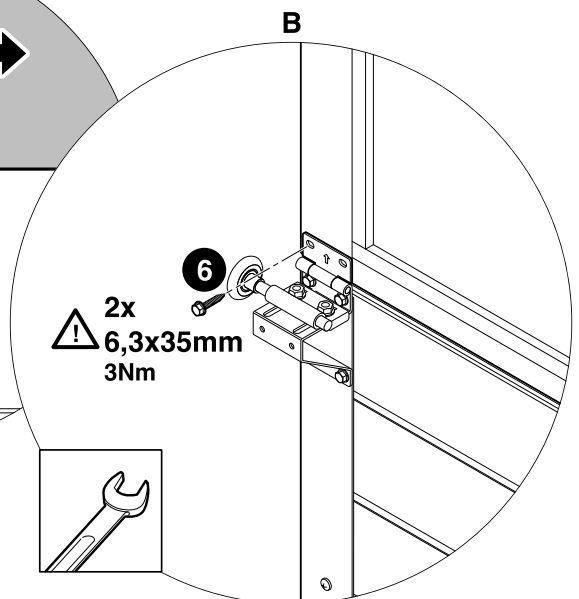
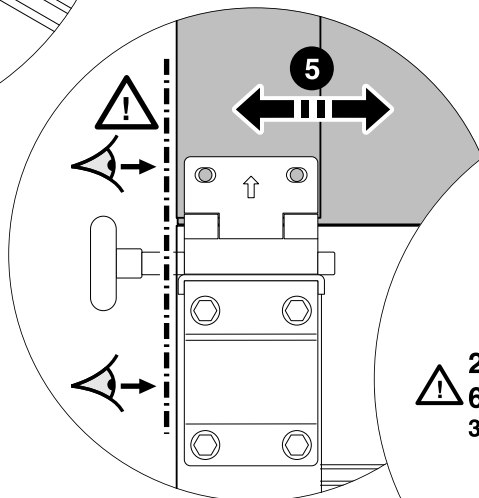
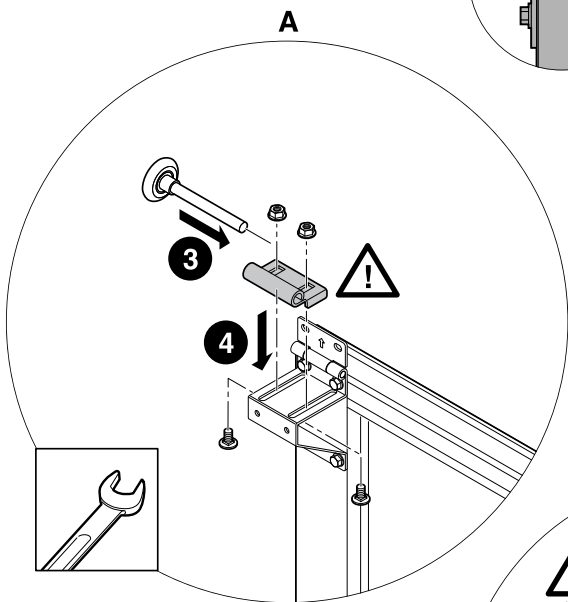
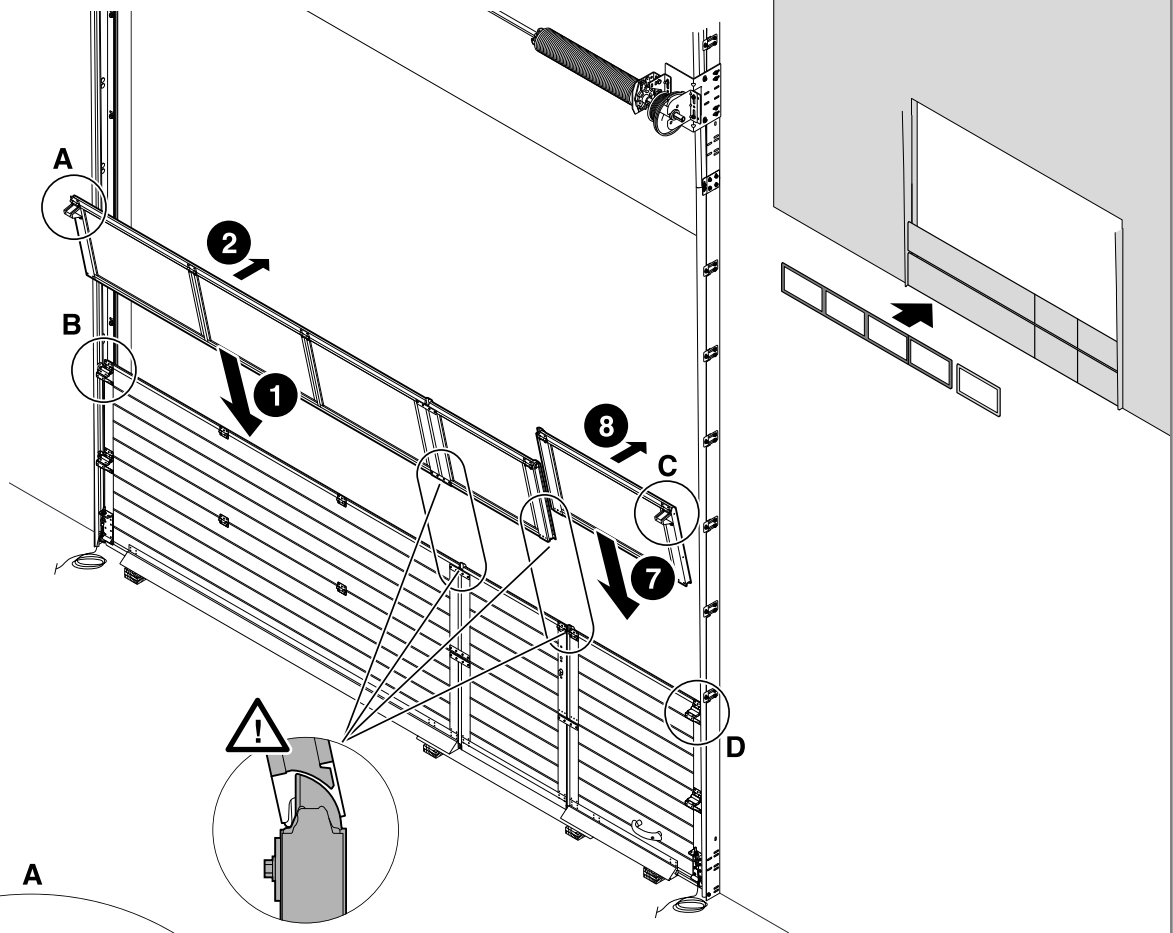


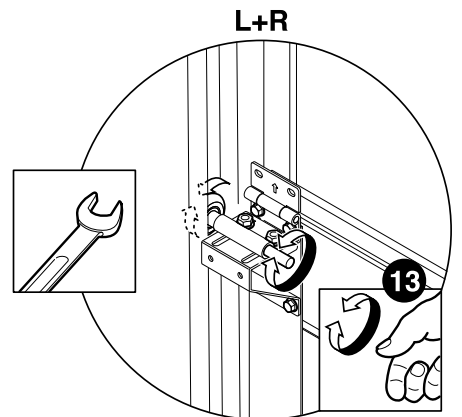
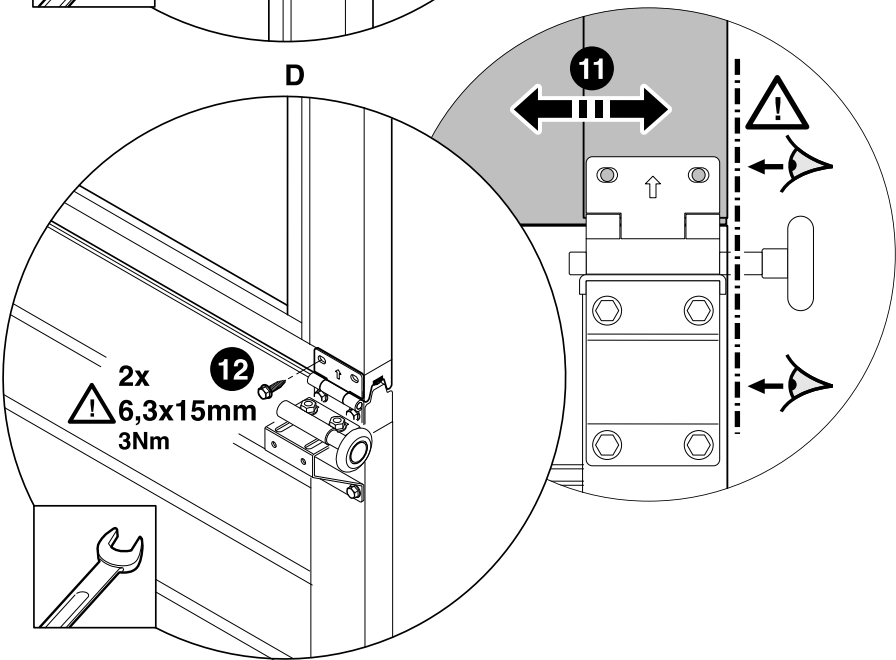
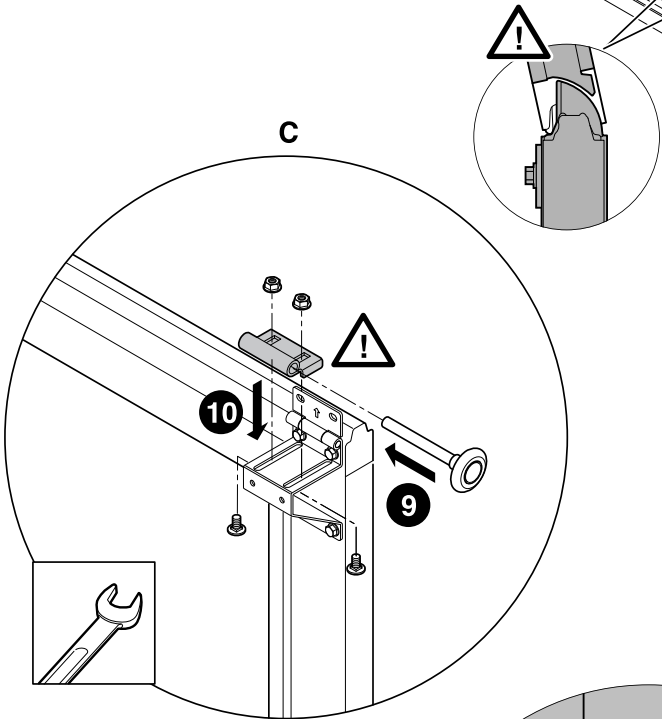
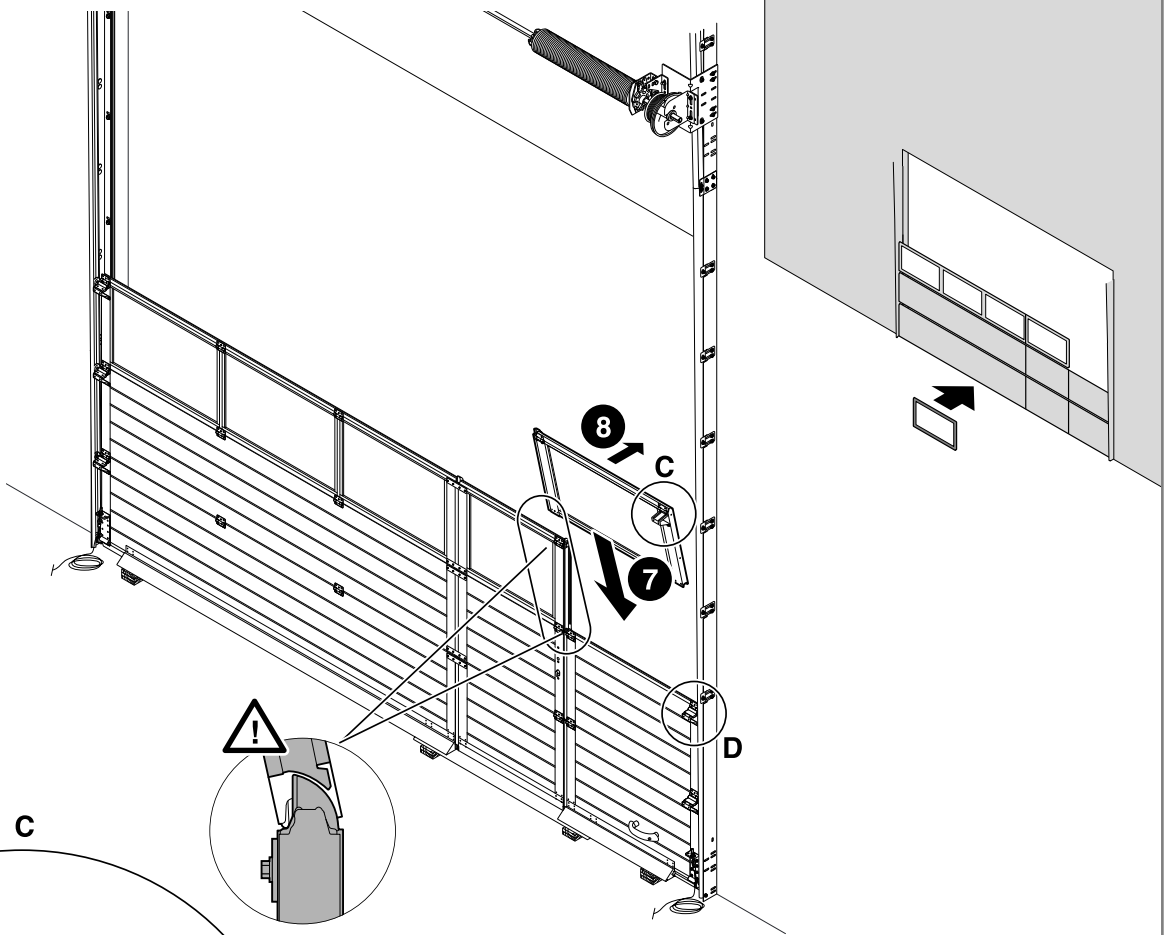


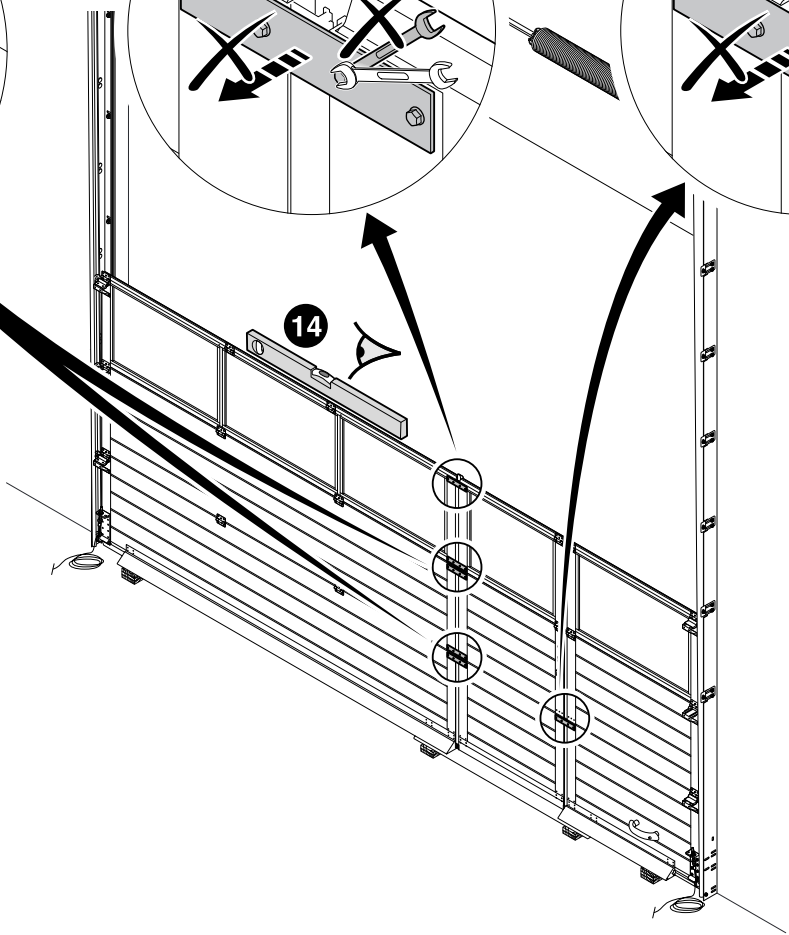
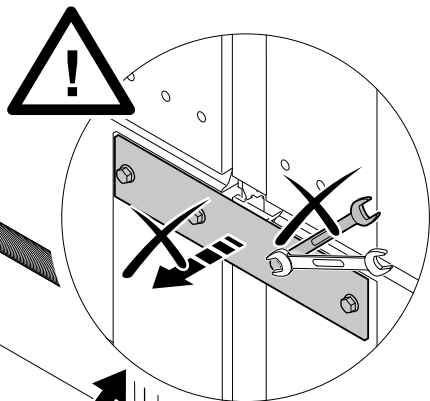
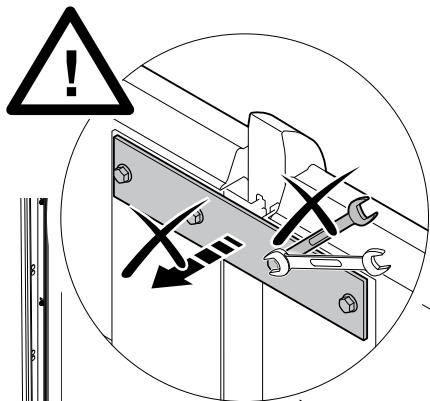
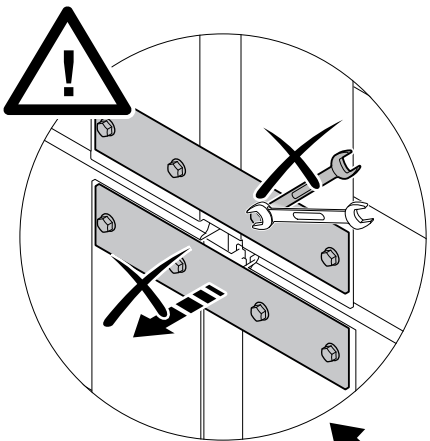
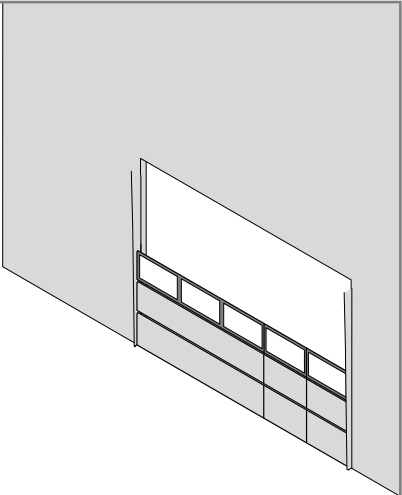


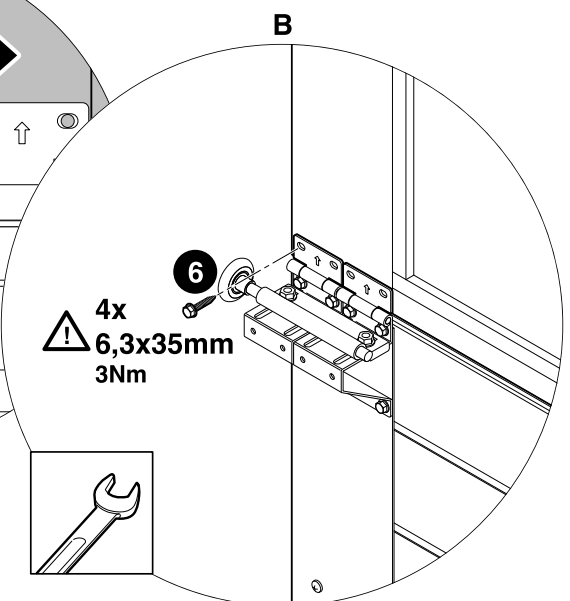
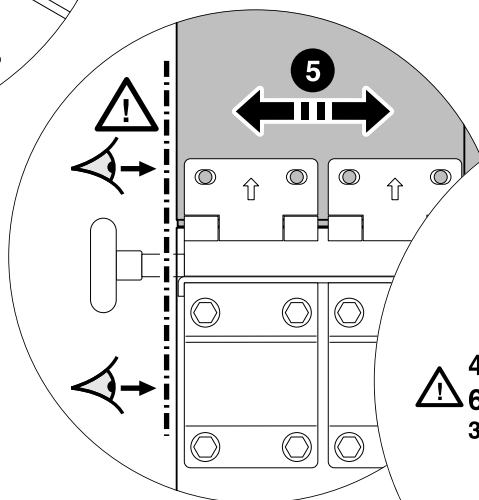
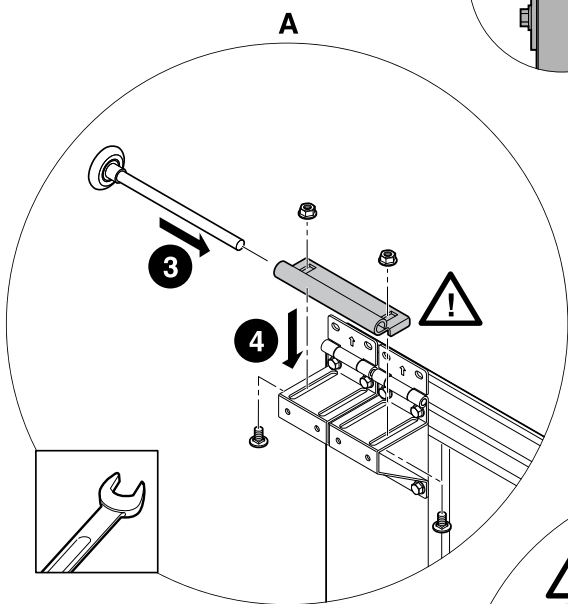
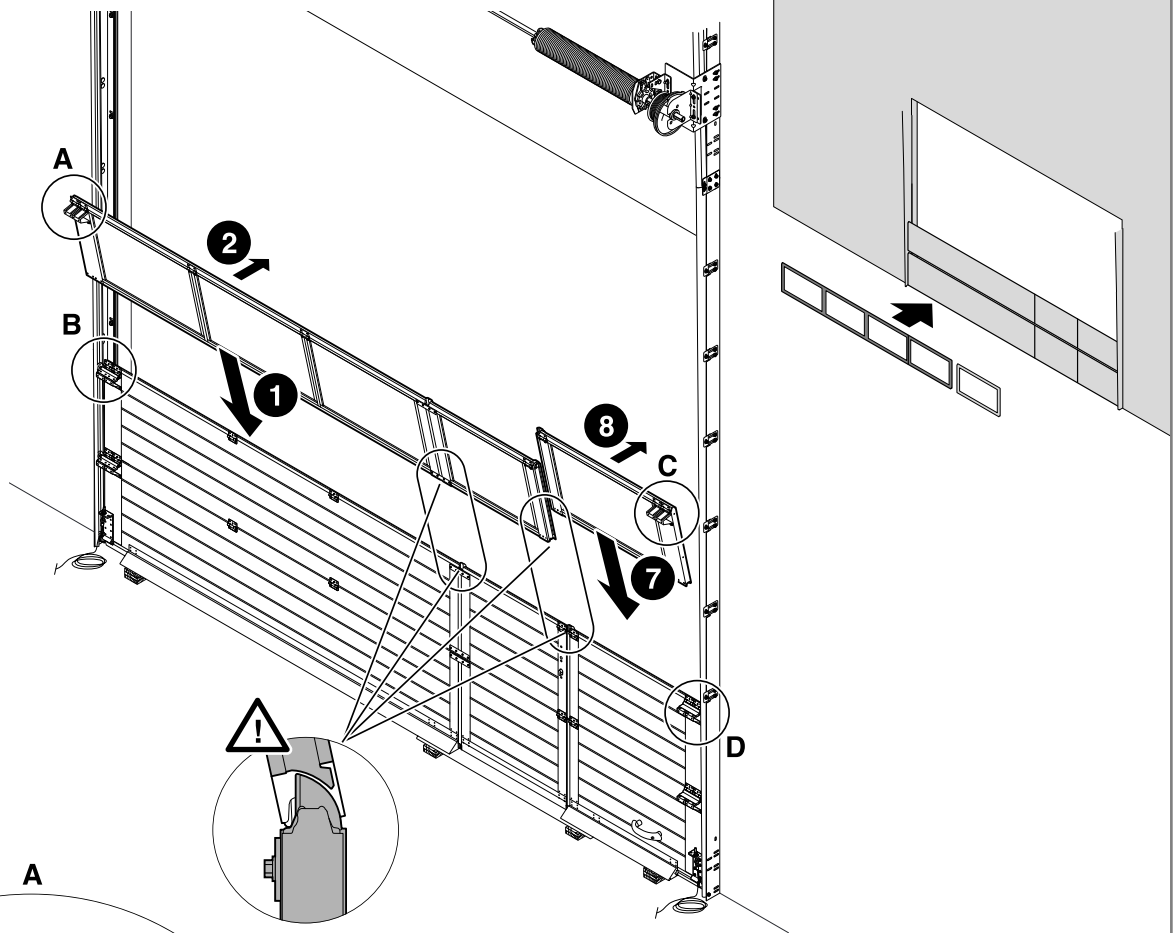


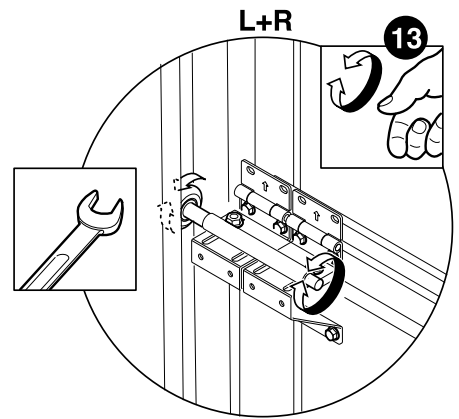
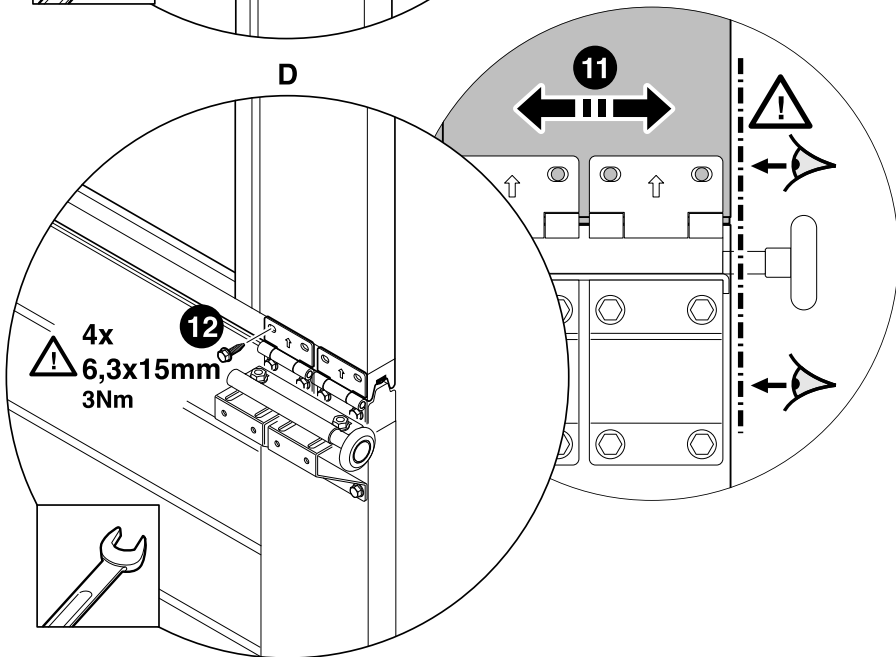
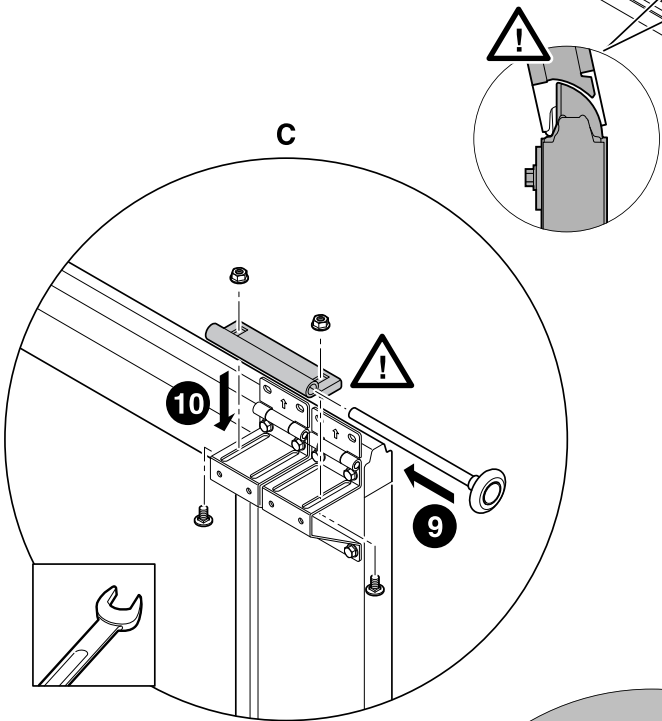
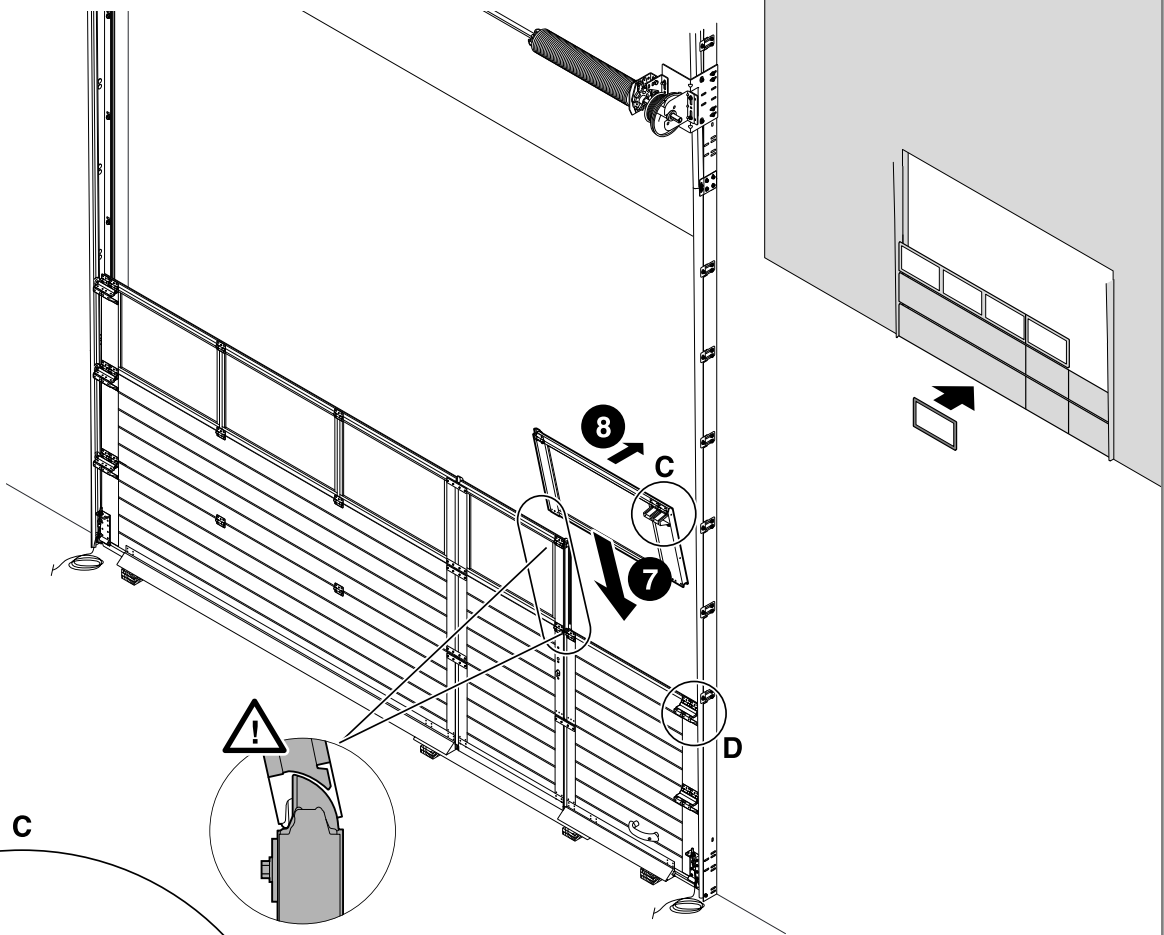


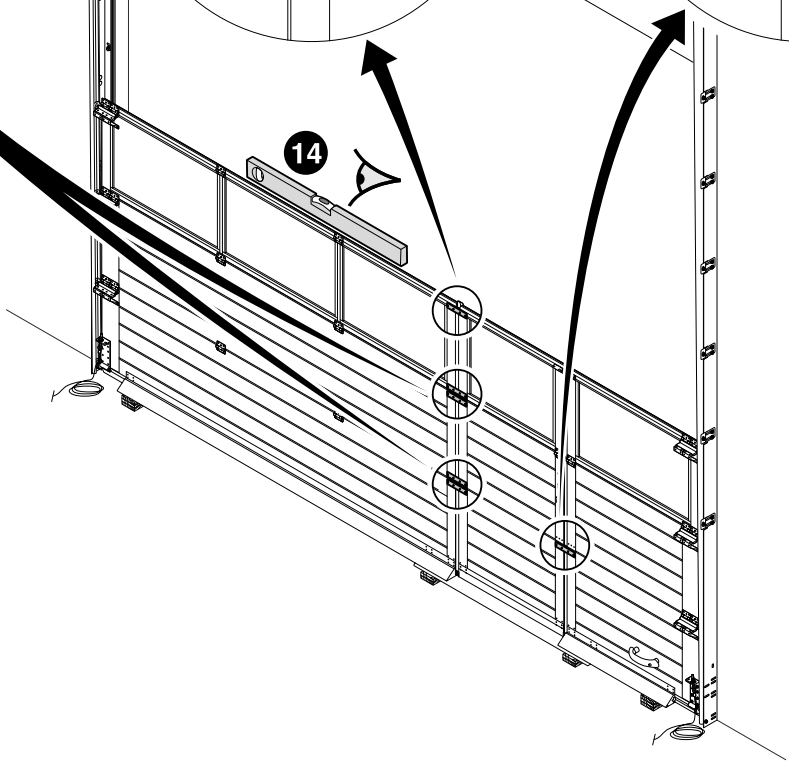
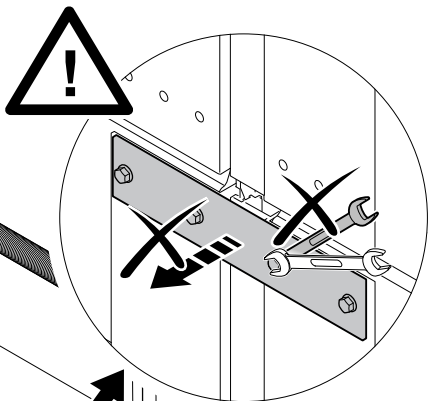
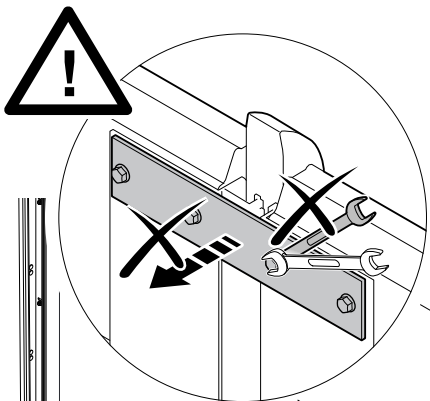
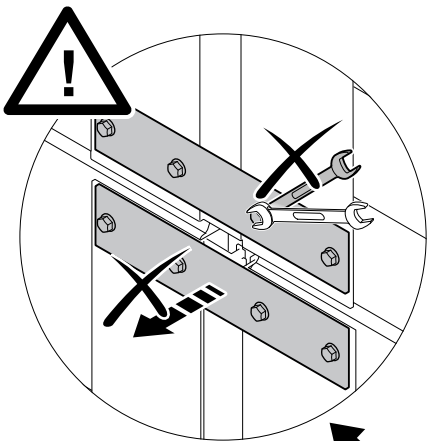
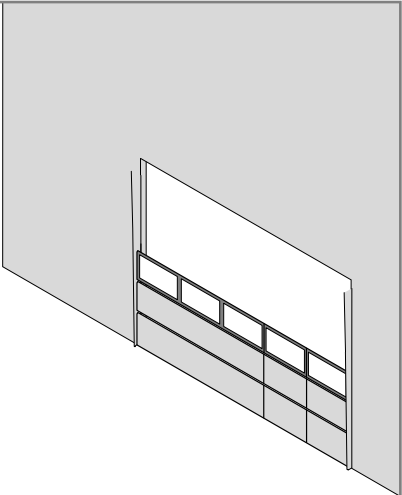


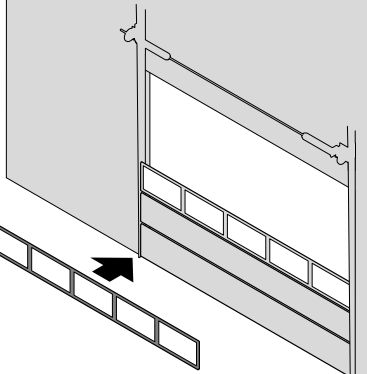
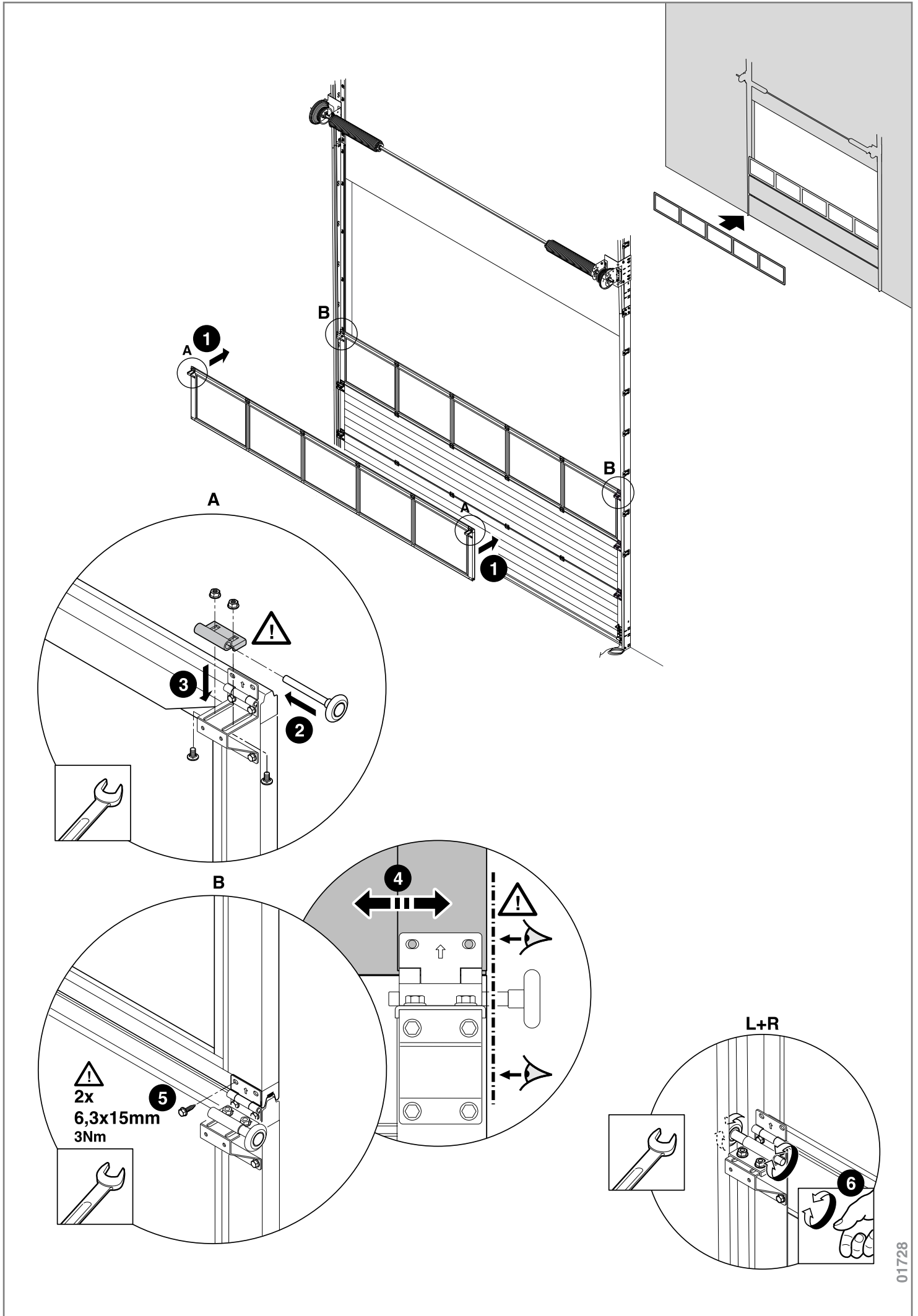












1
A

B

B

1
A

A

3

2

B

4



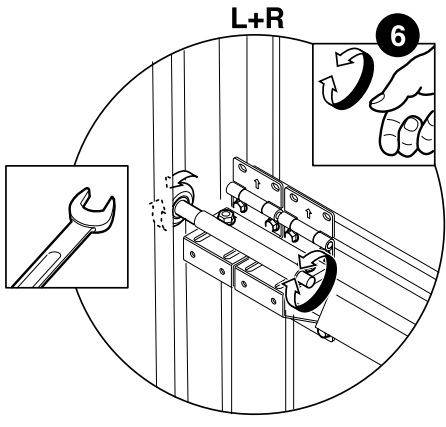
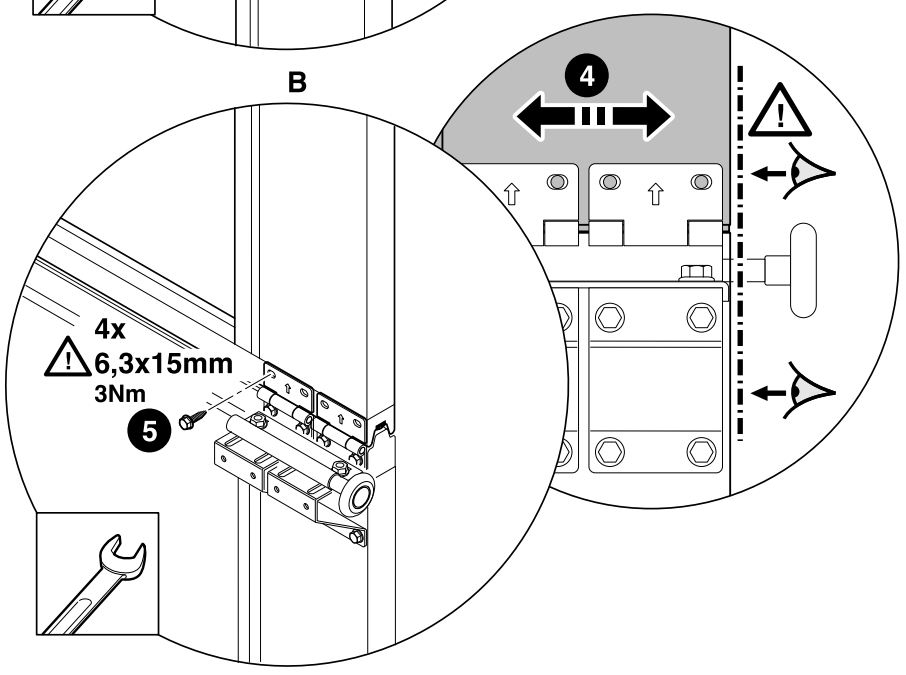
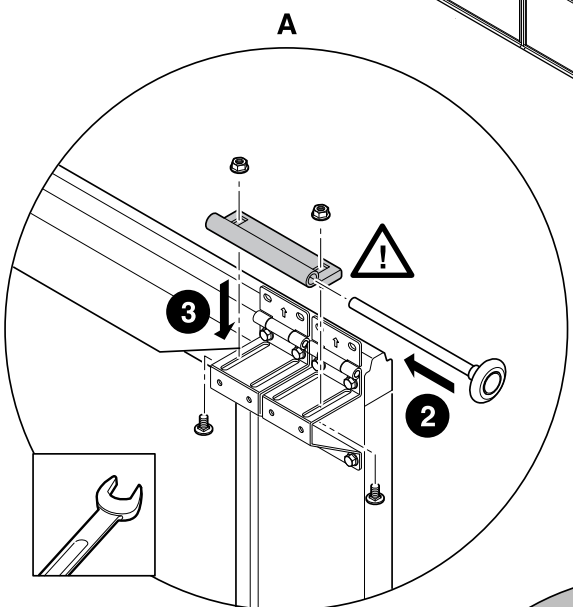
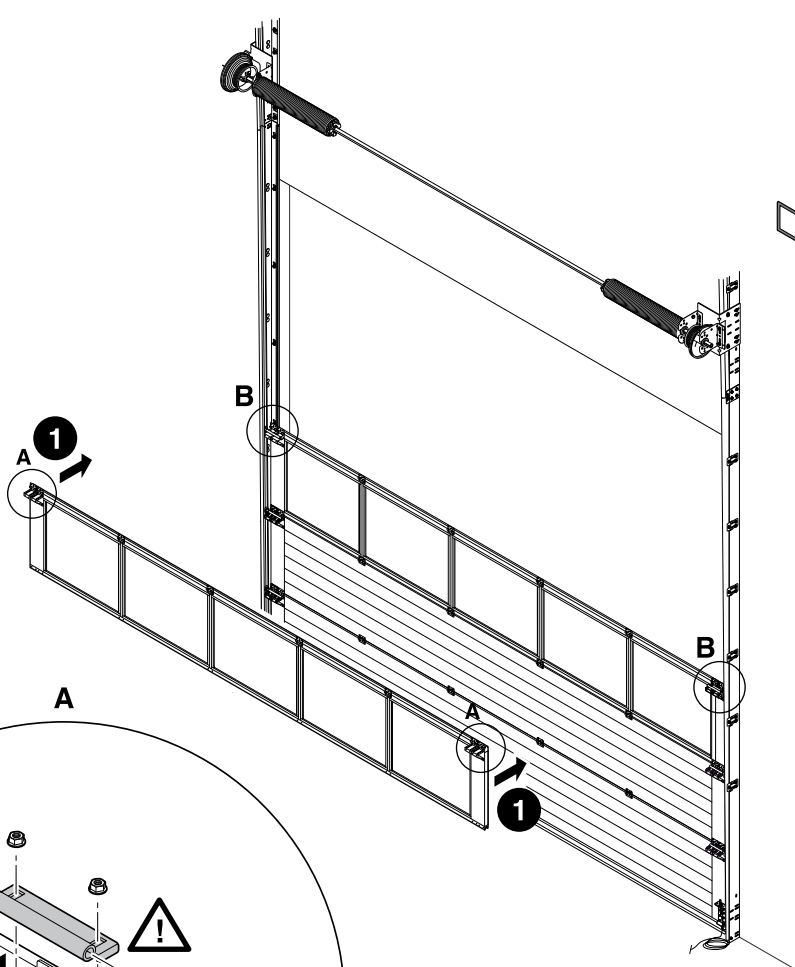
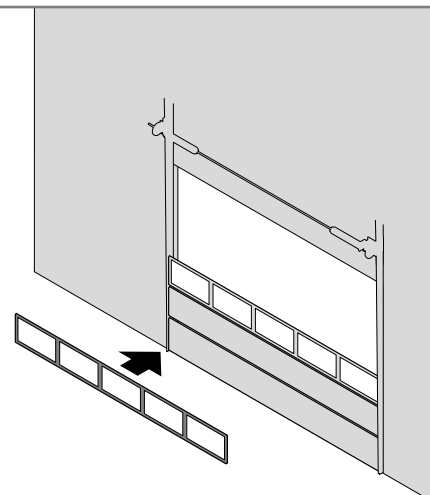
2x
6,3x15mm
3Nm

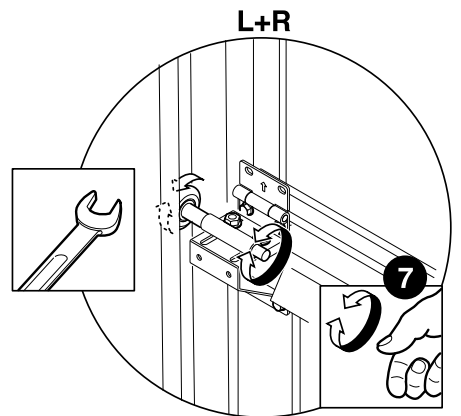
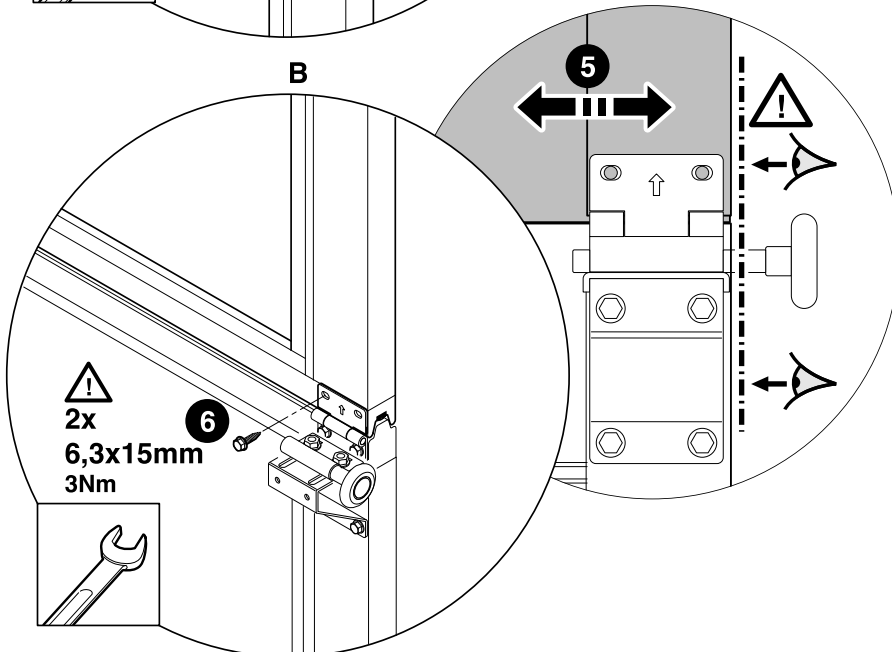
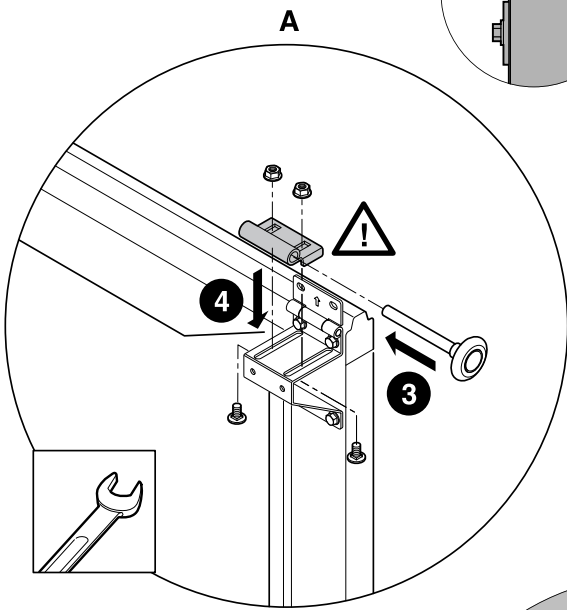
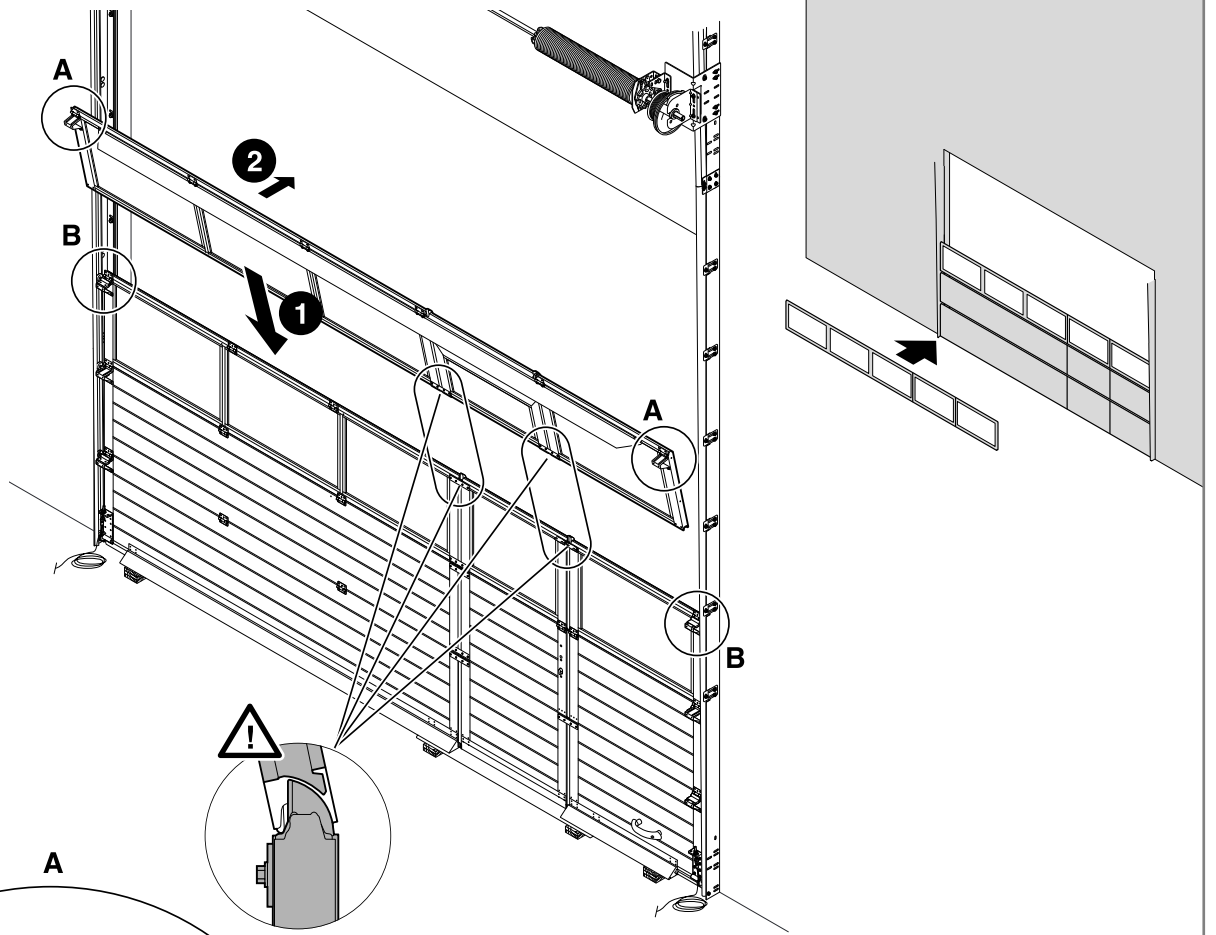
5

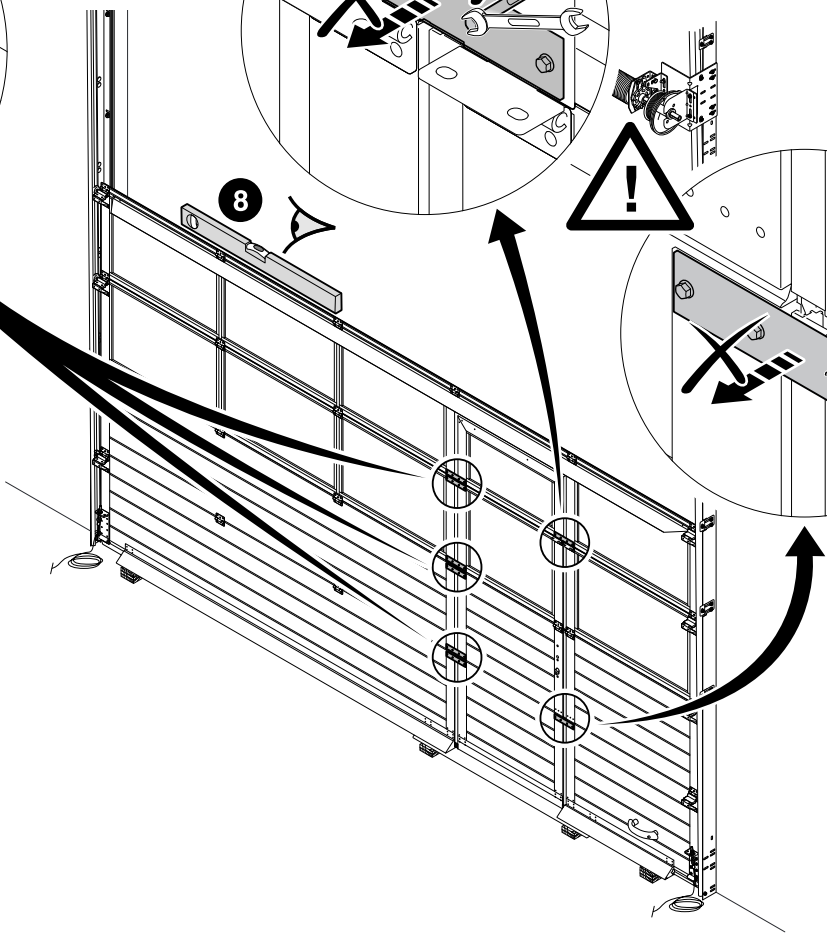
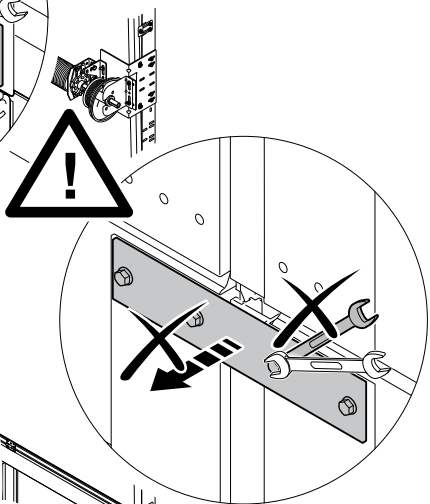
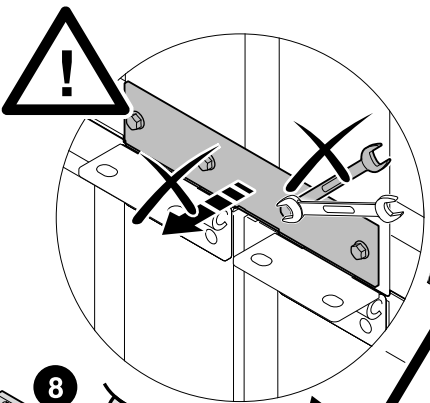
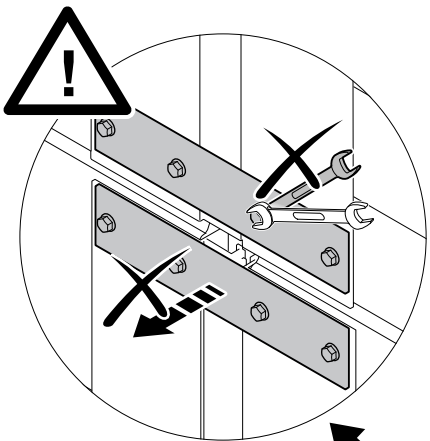
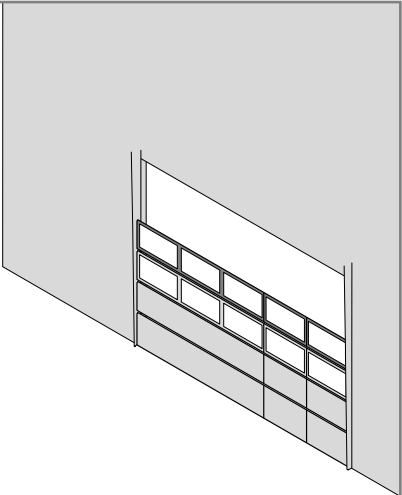


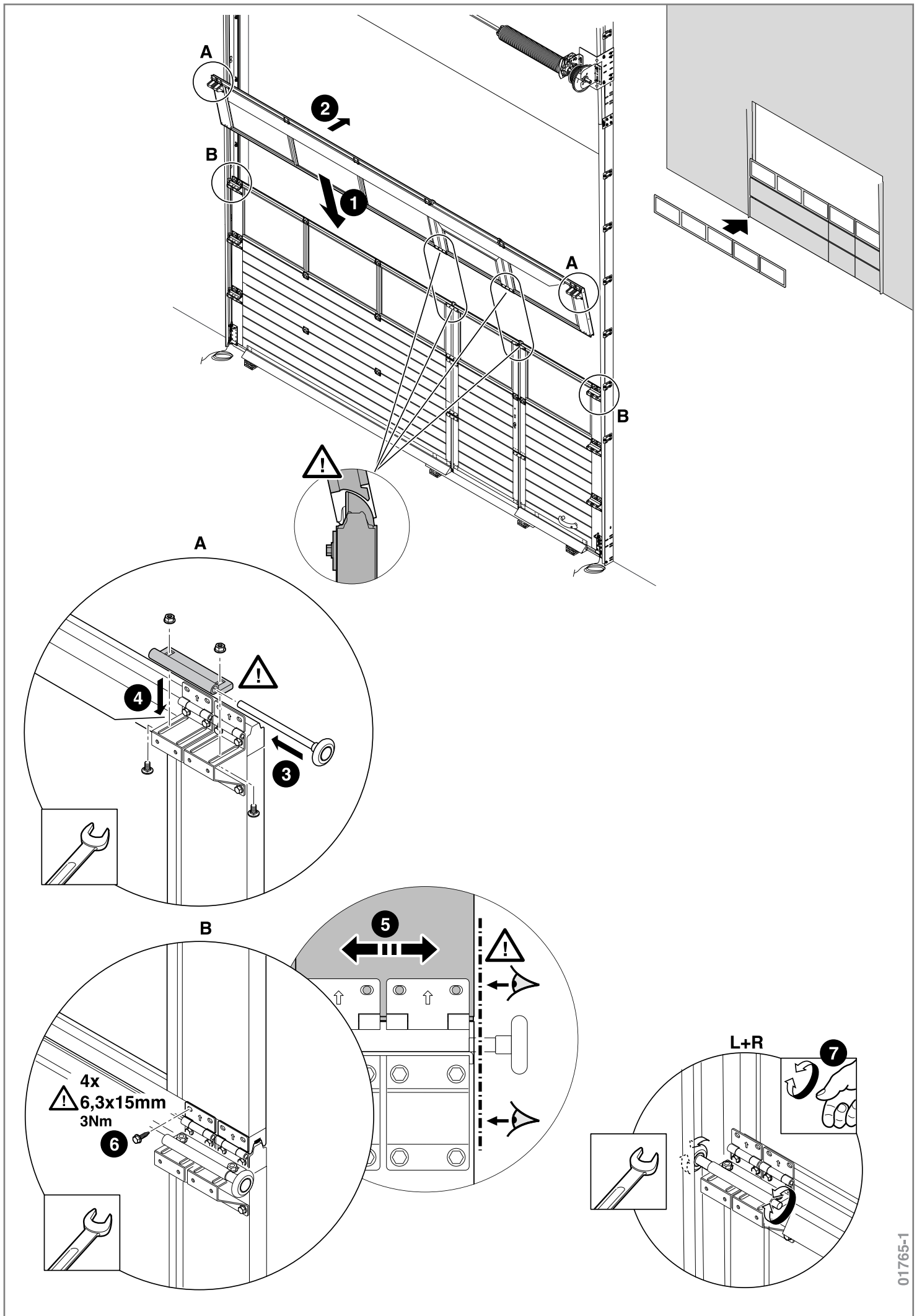
L+R

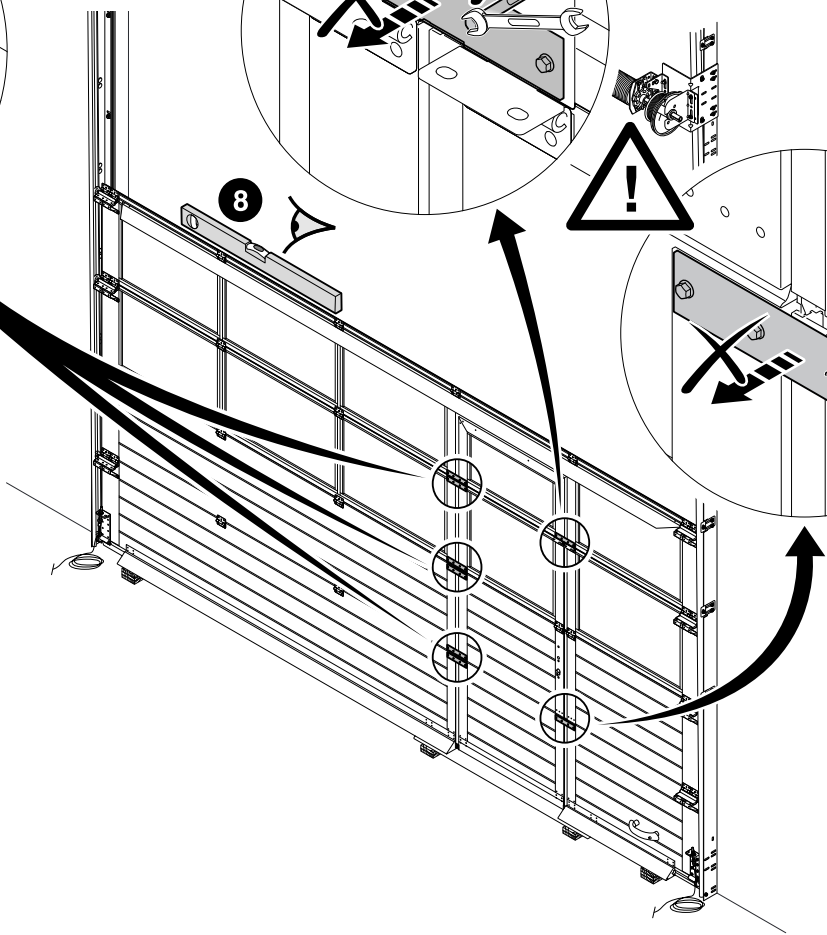
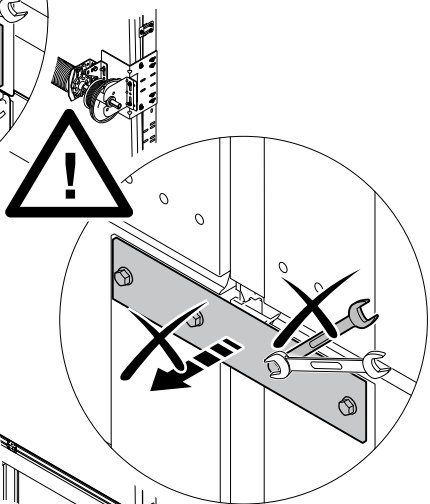
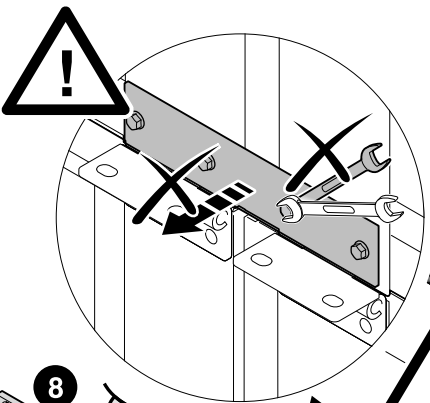
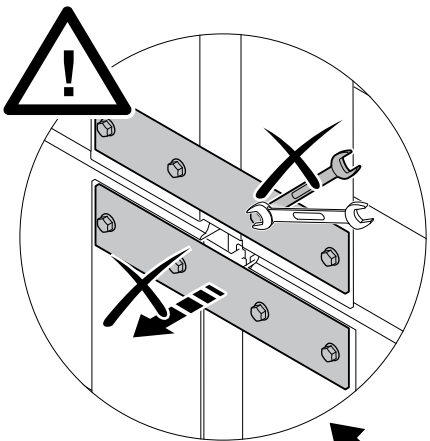
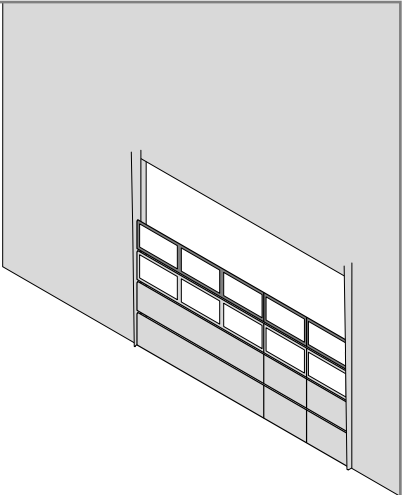
6

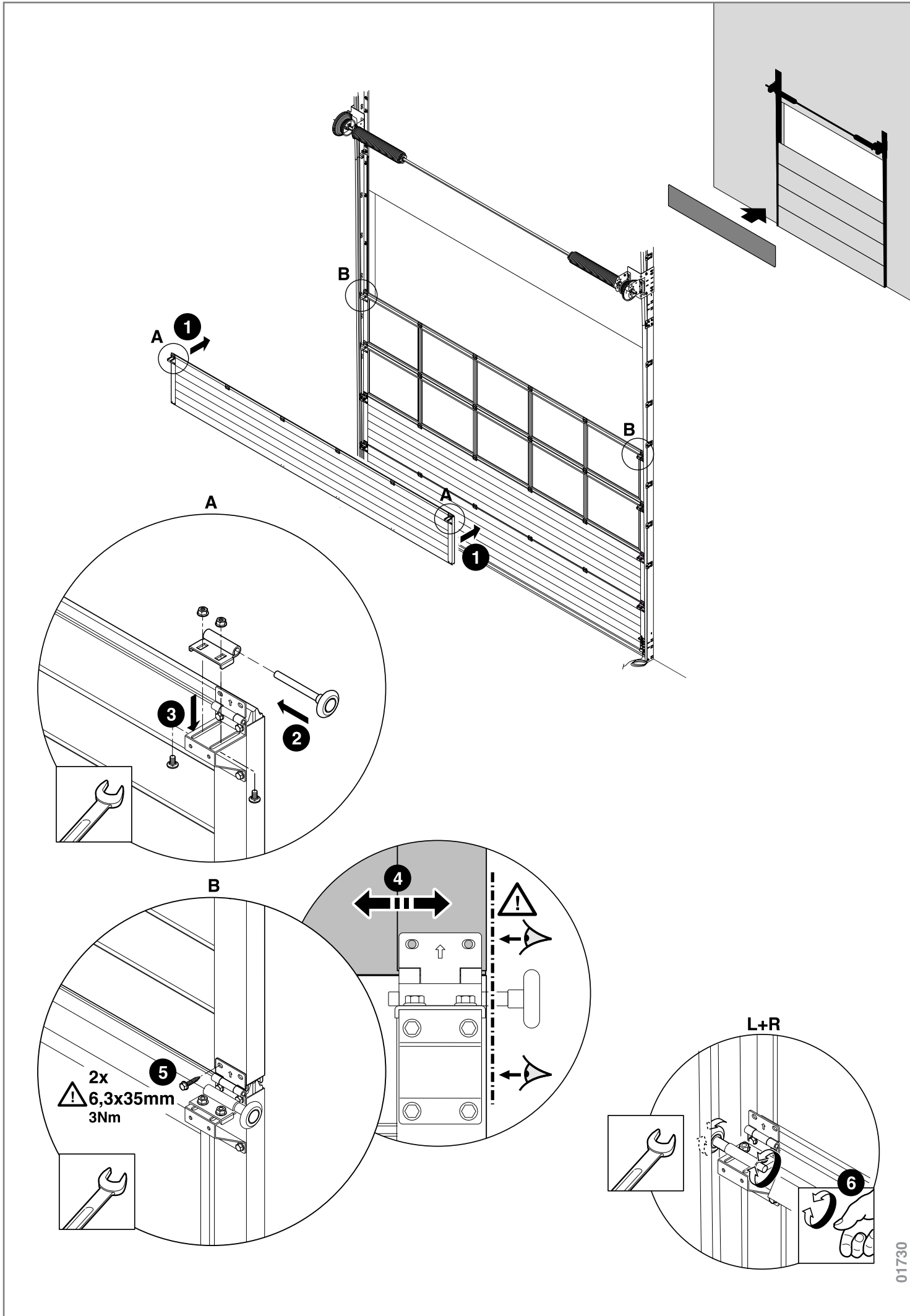


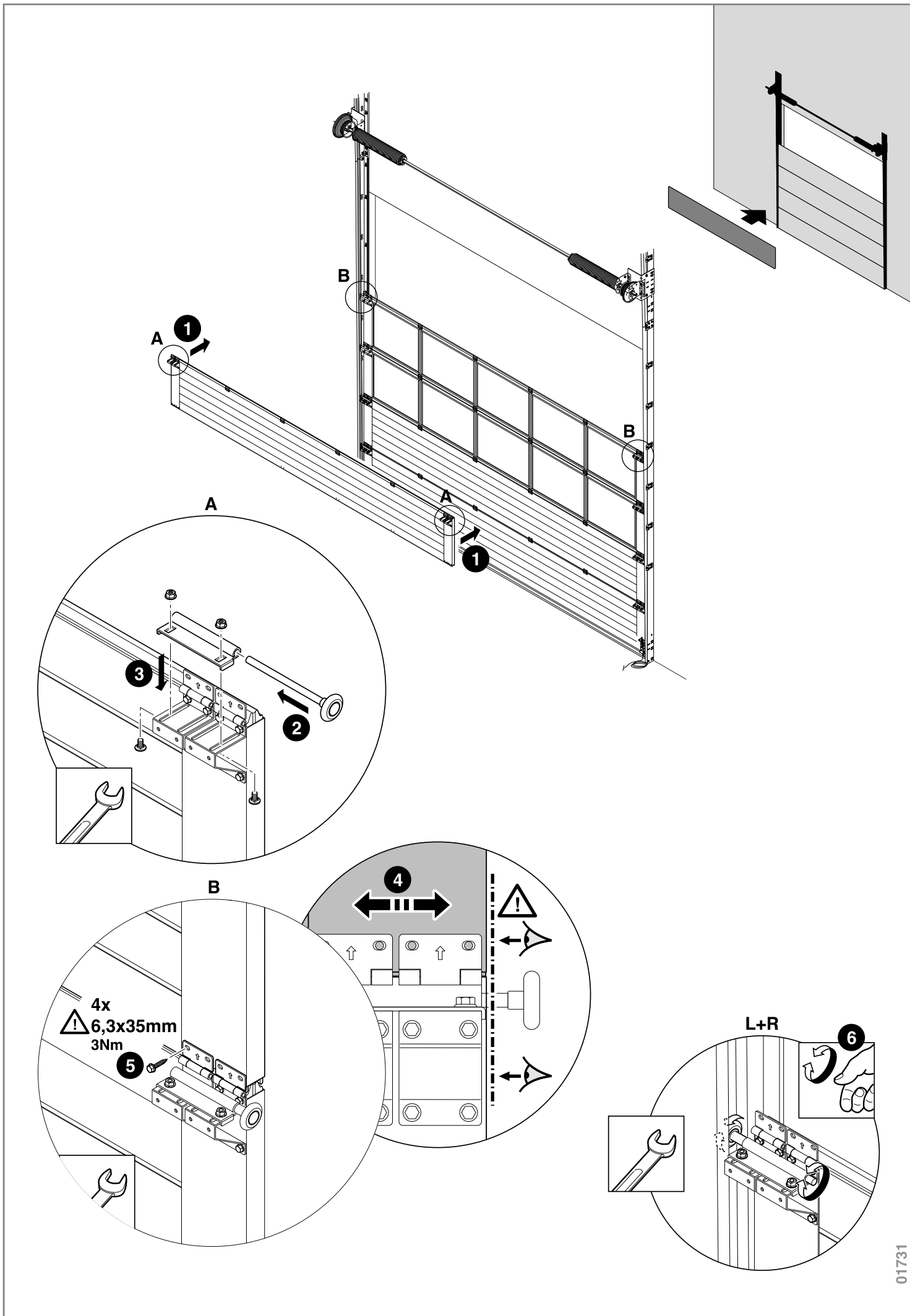


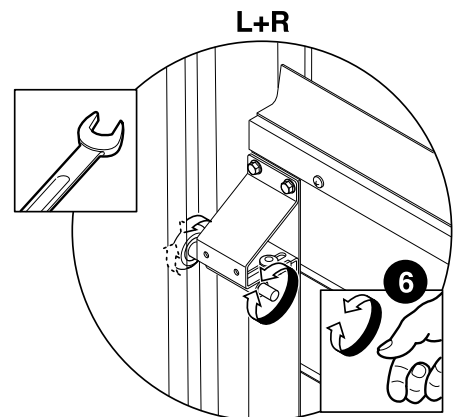
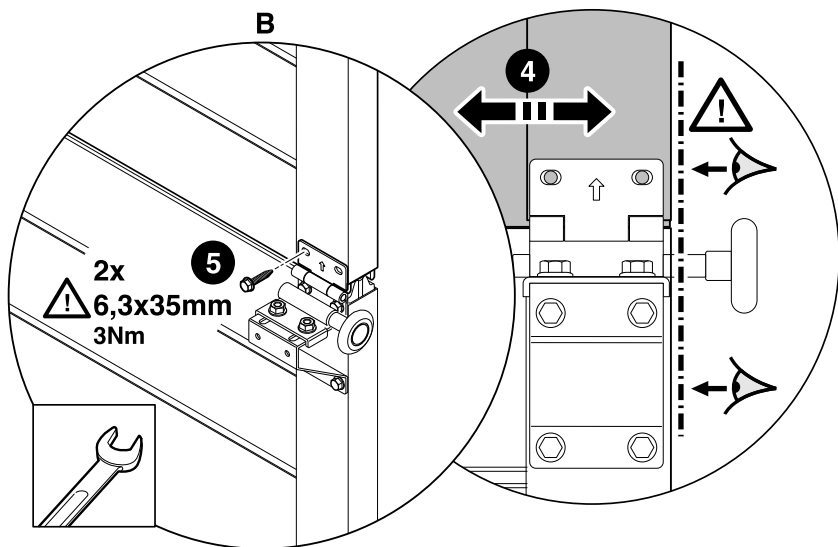
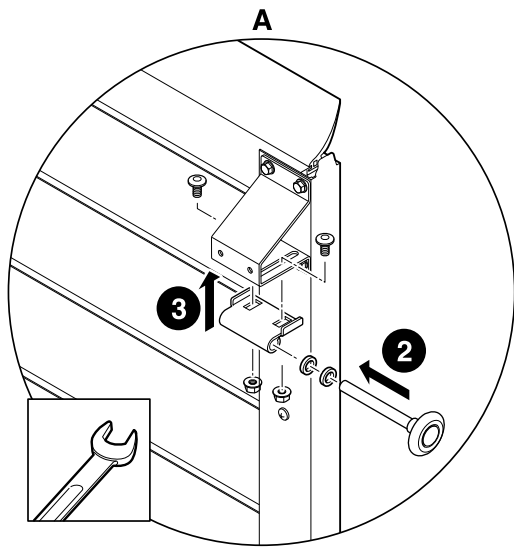
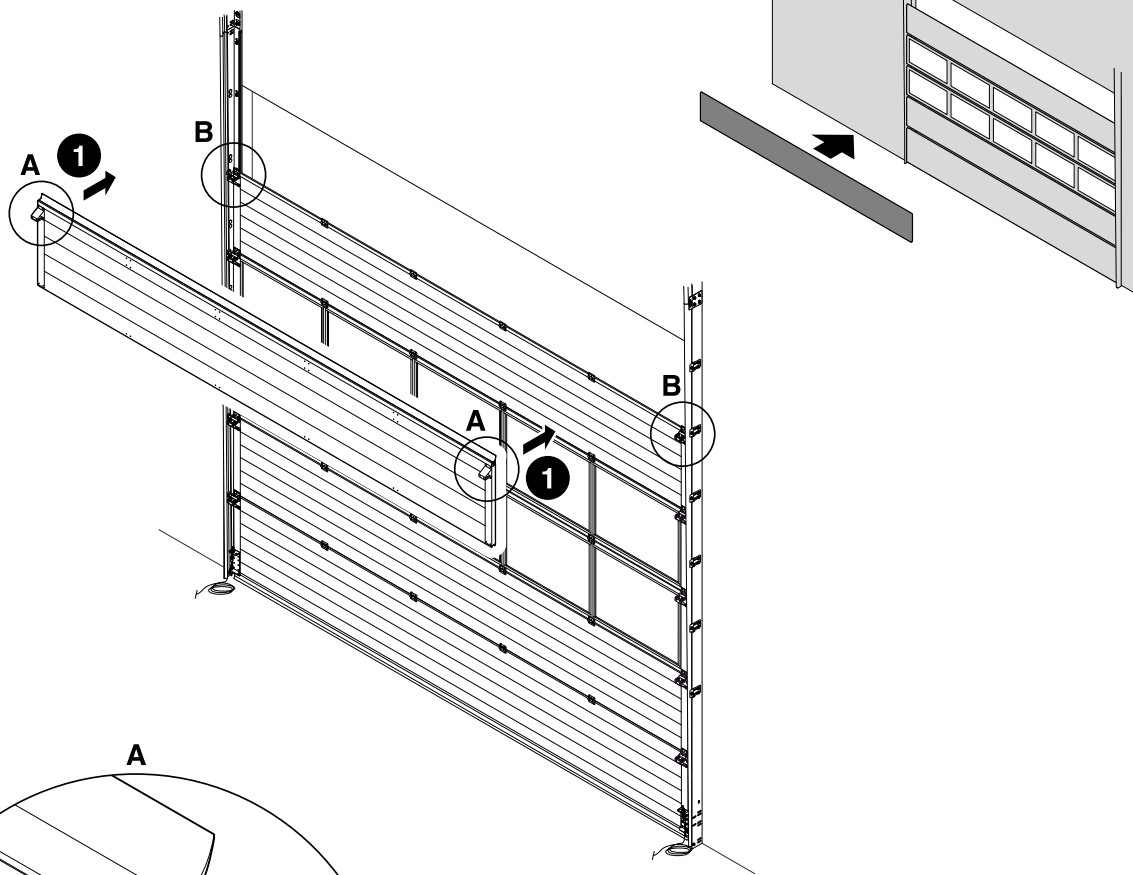


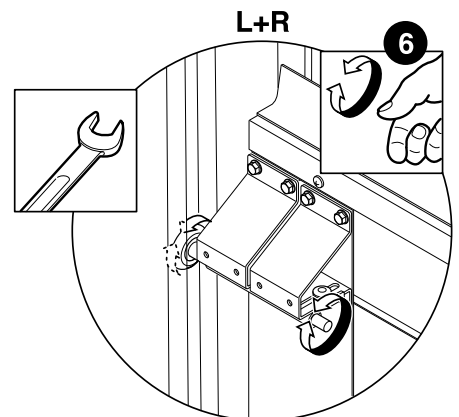
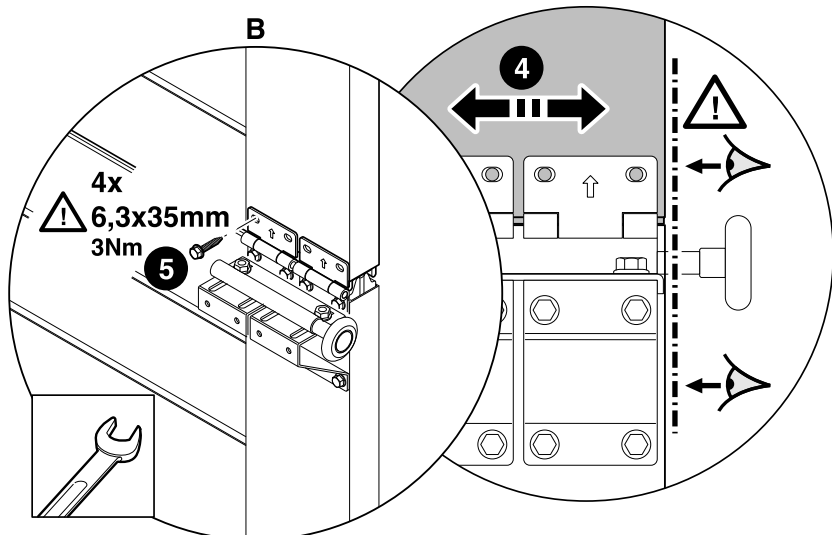
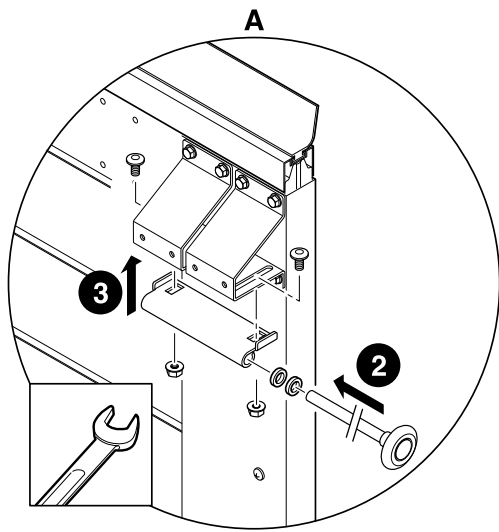
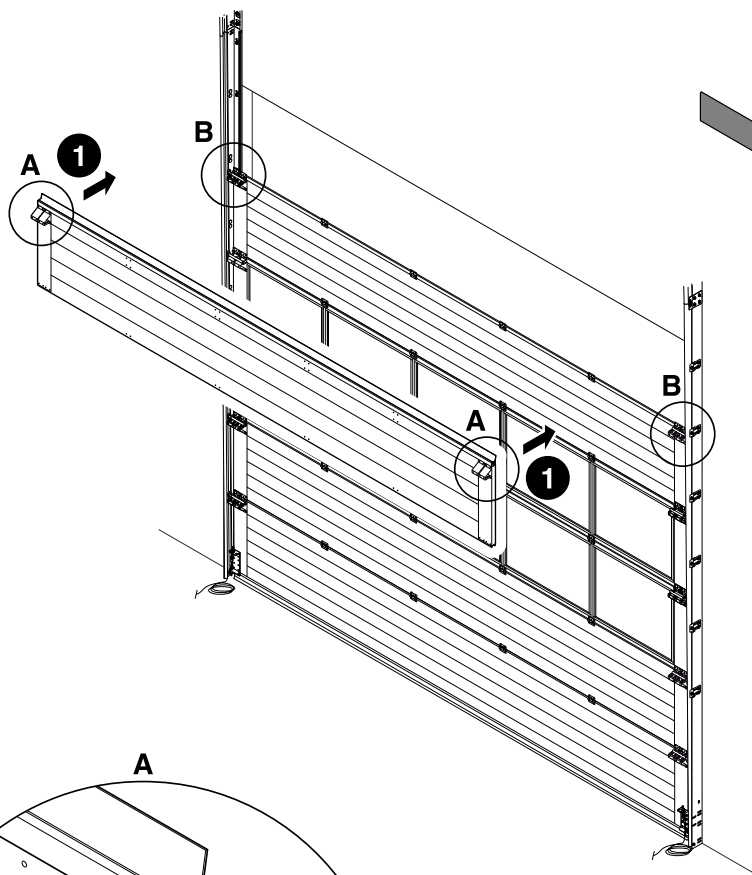


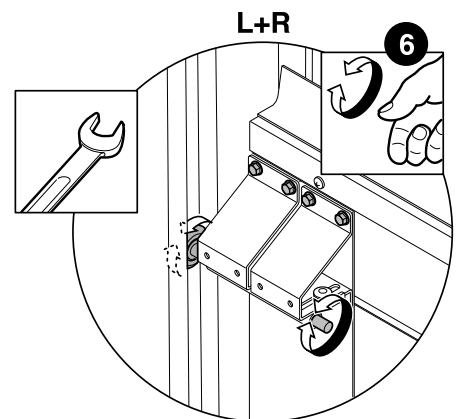
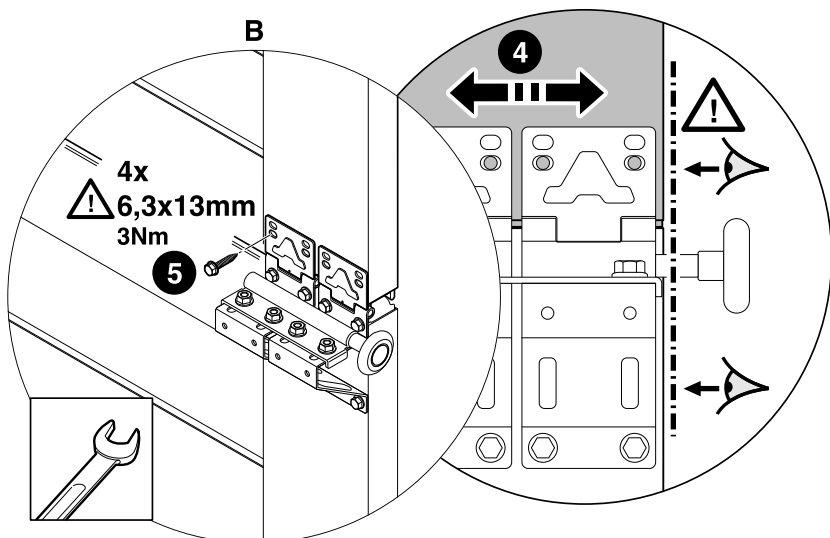
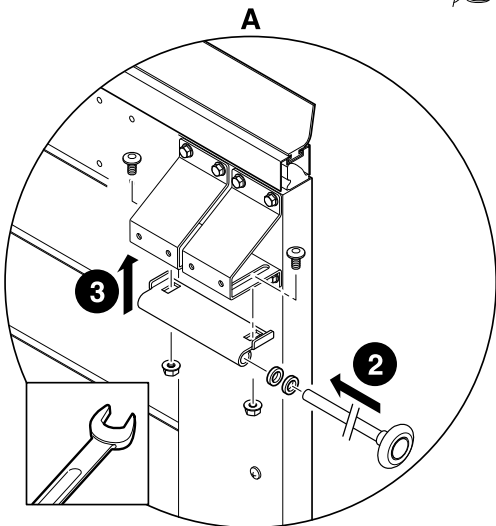
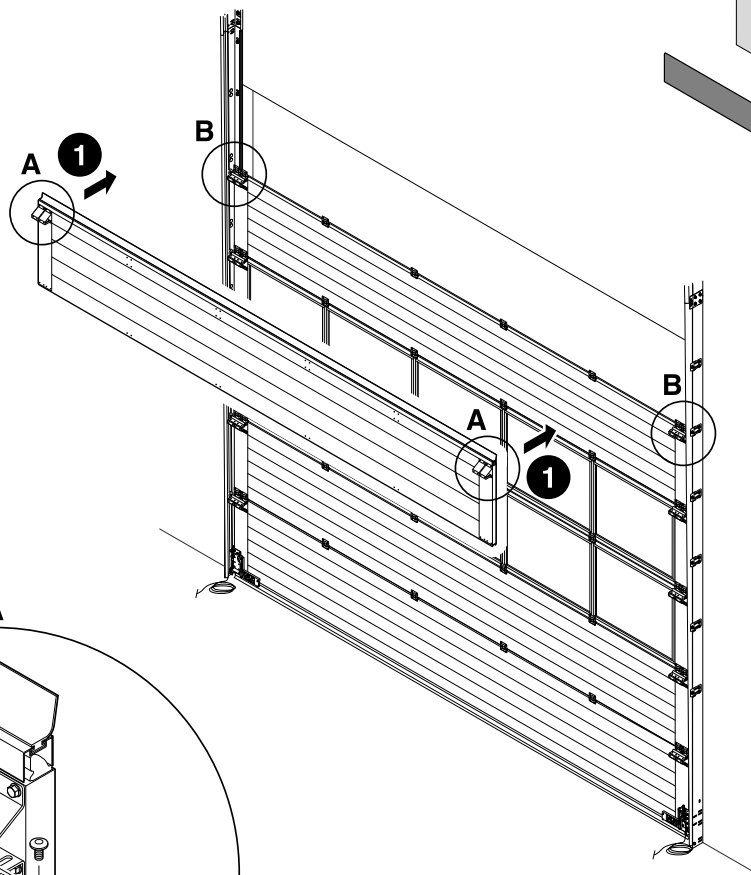


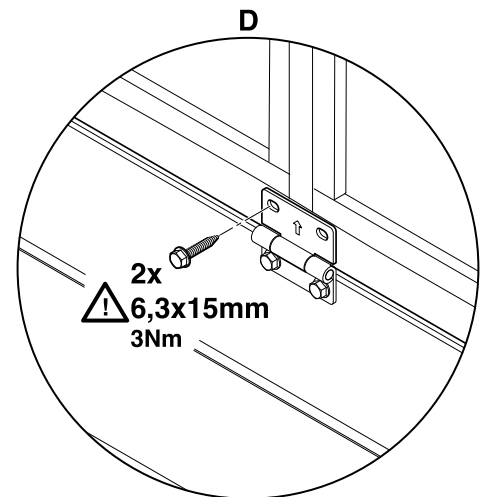
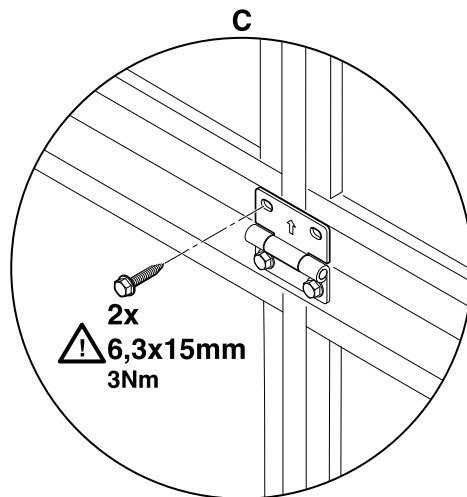
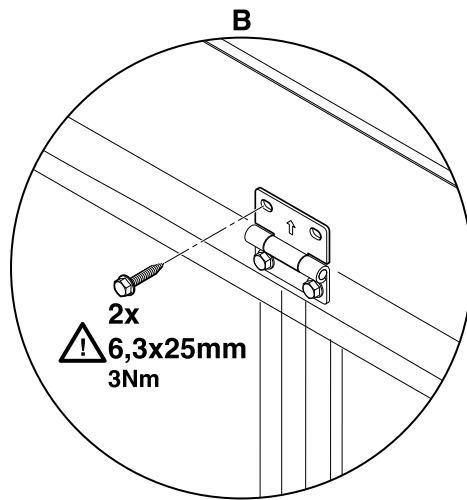
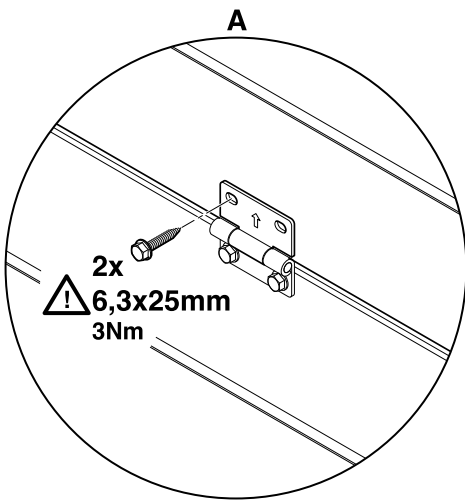
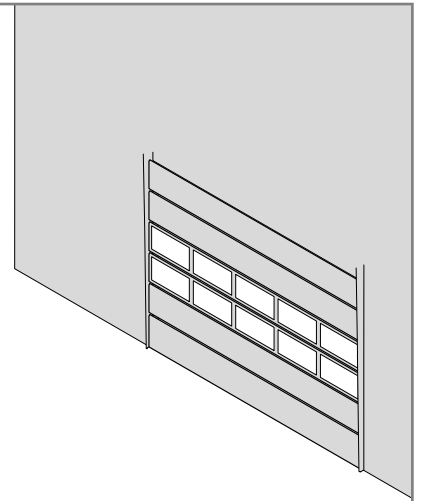
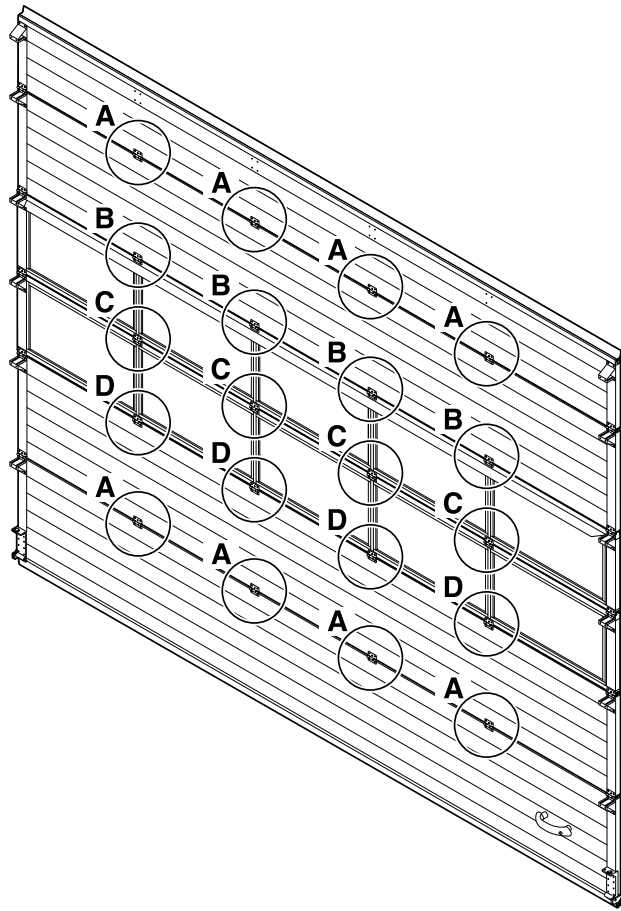


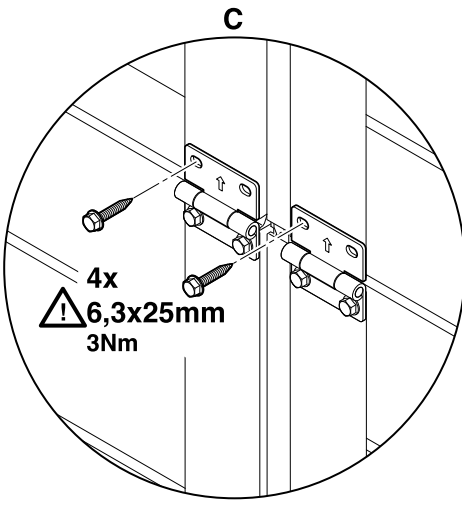
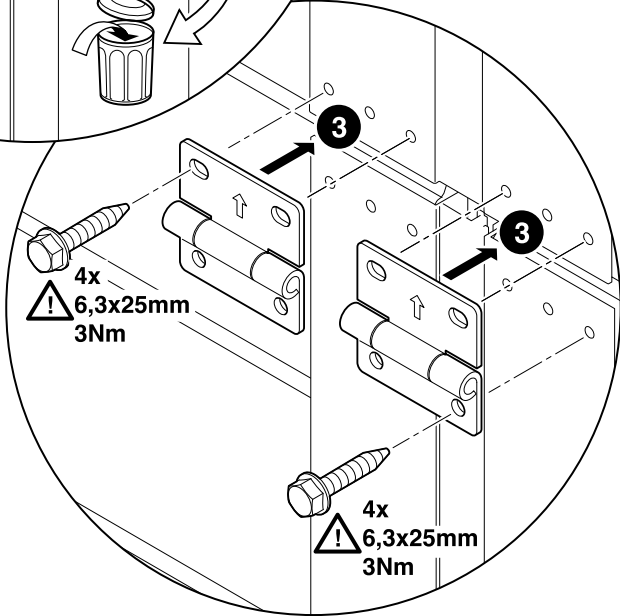
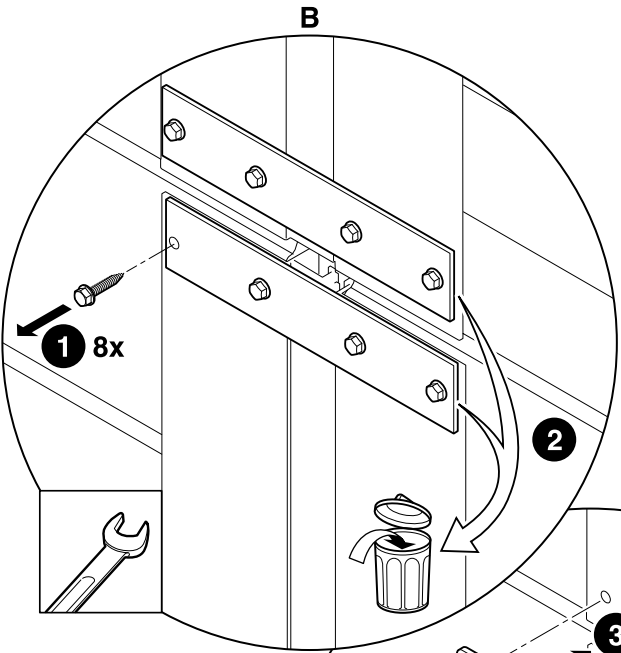
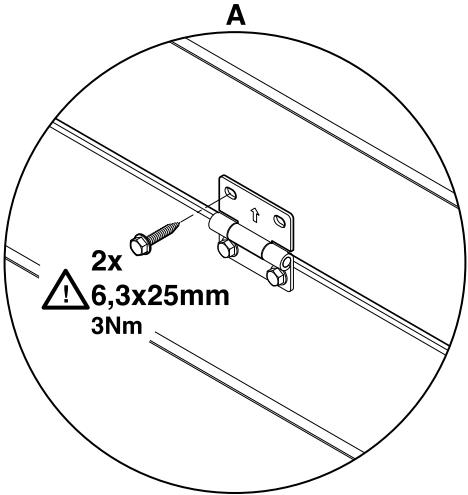
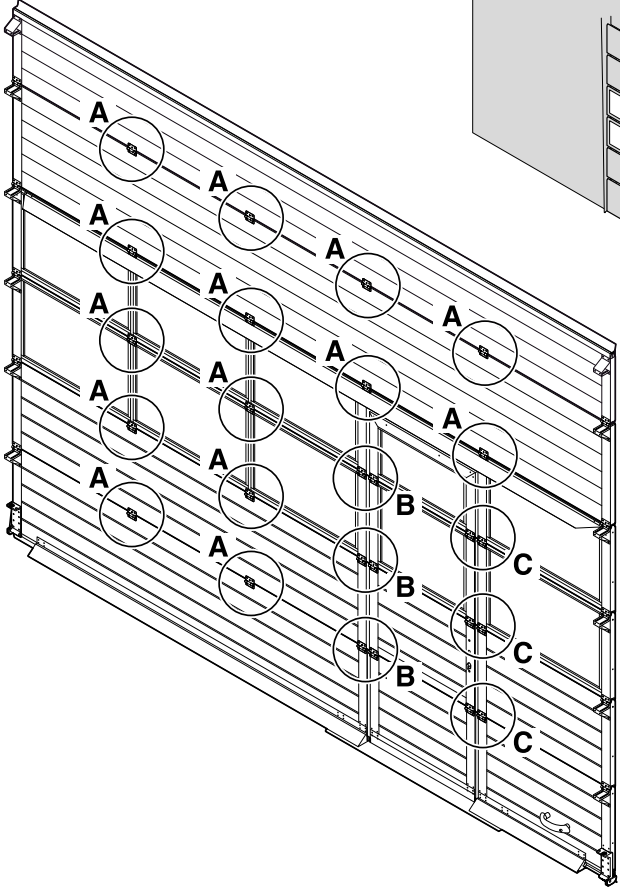
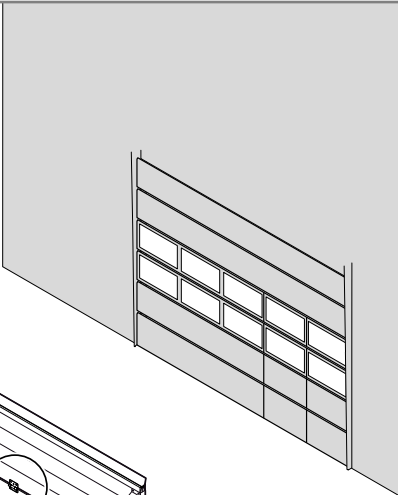


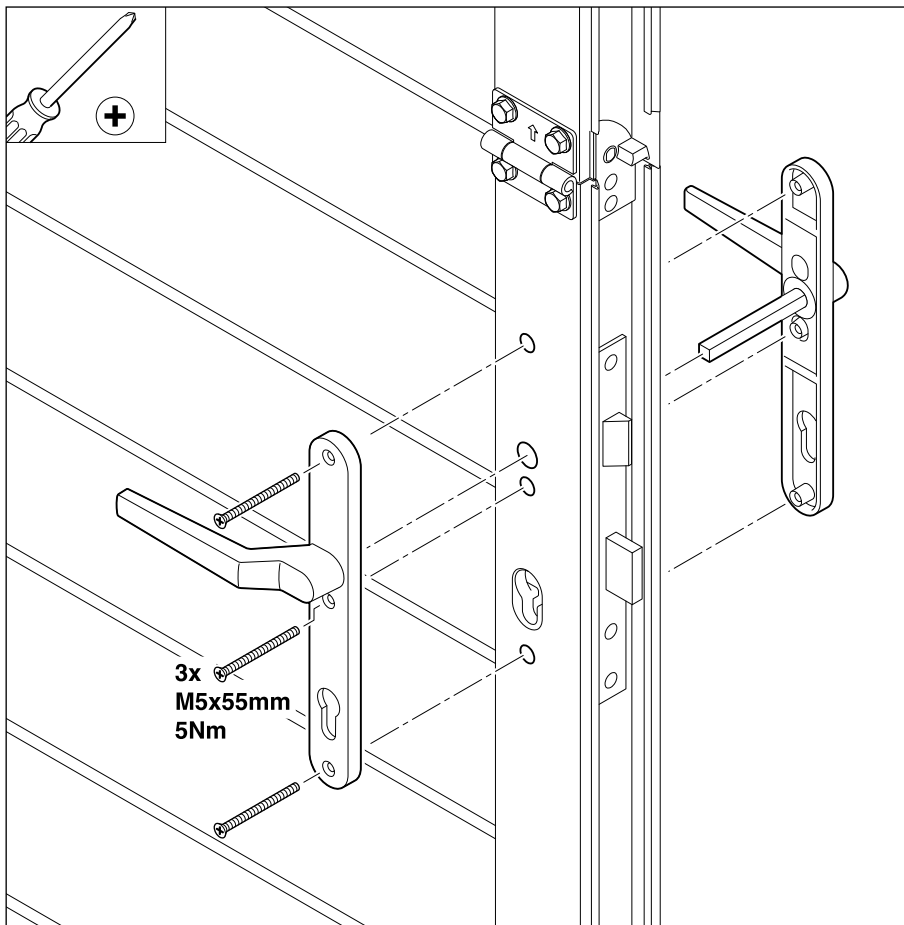
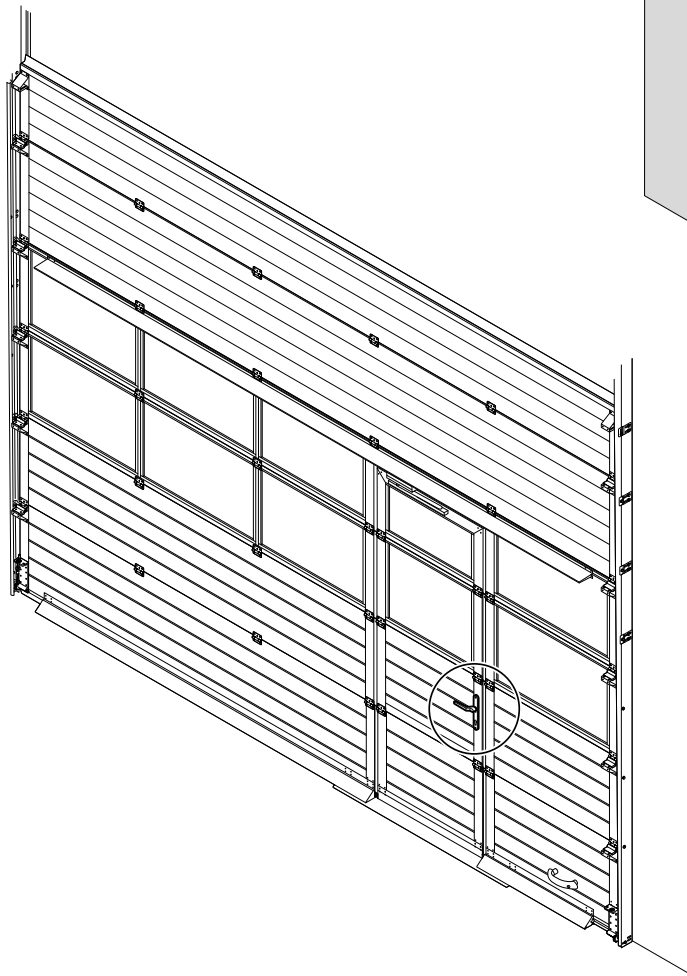


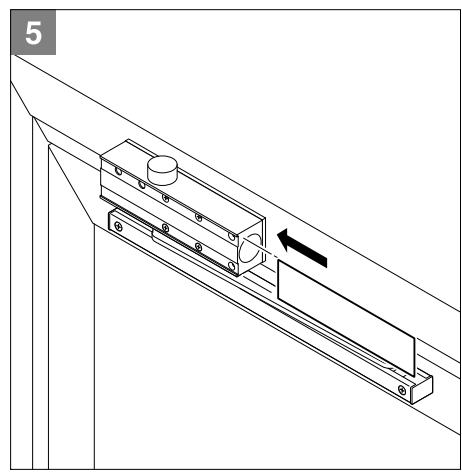
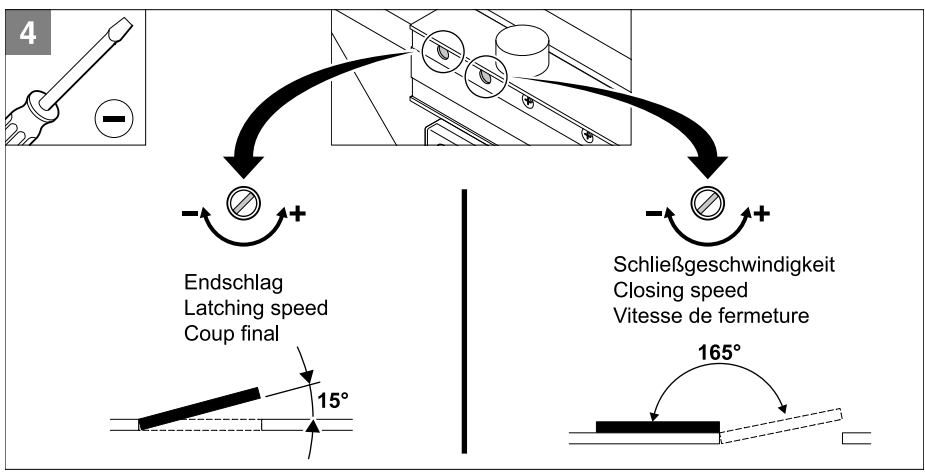
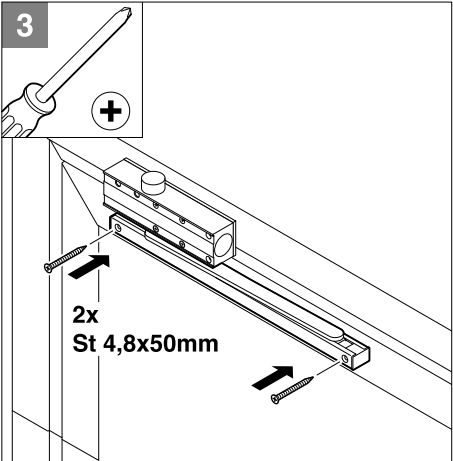
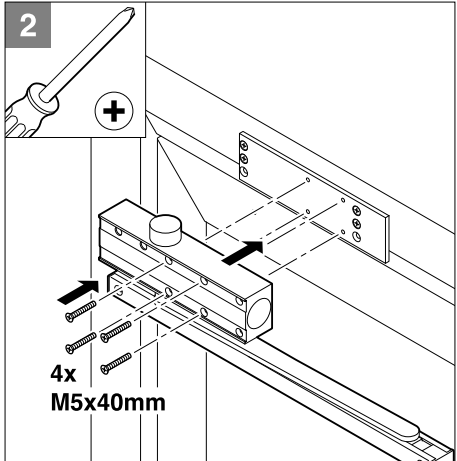
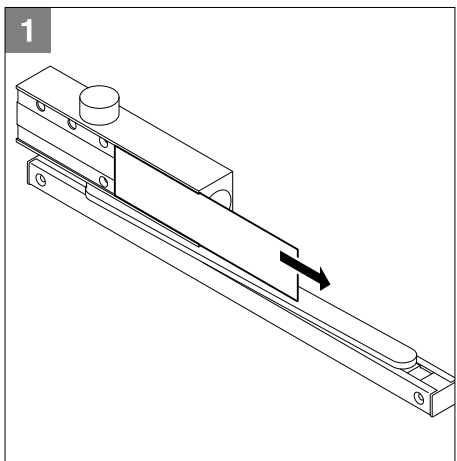
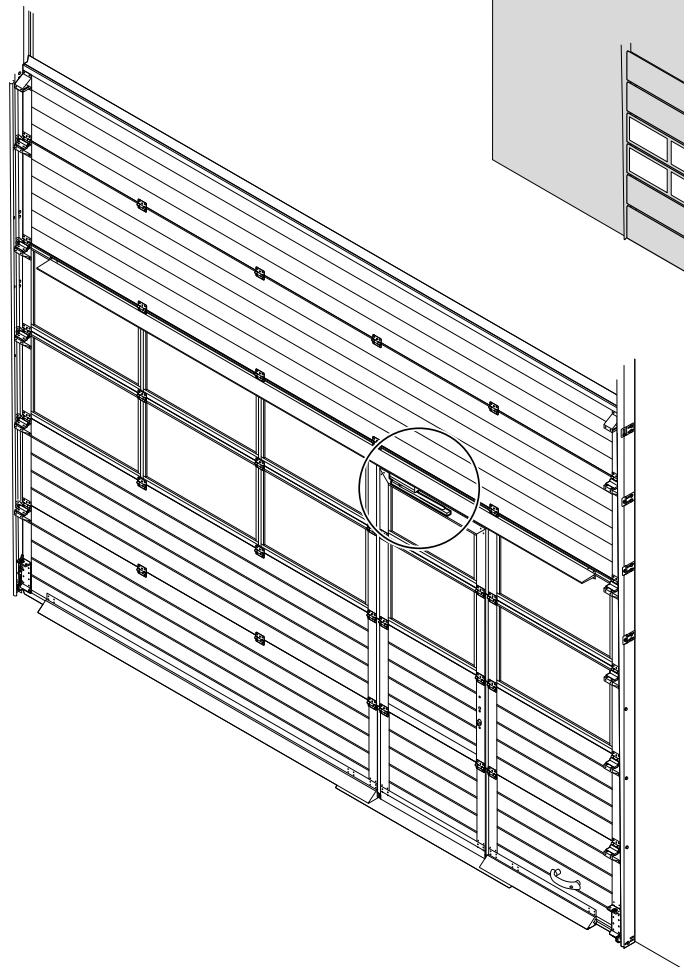
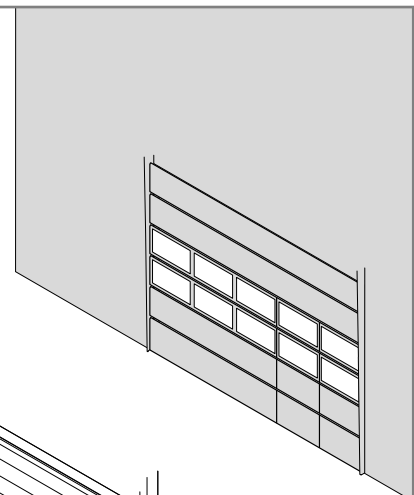


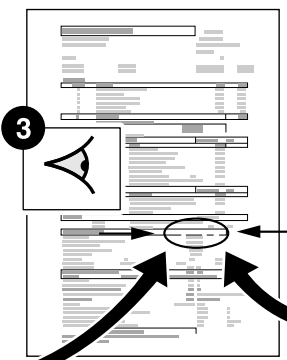
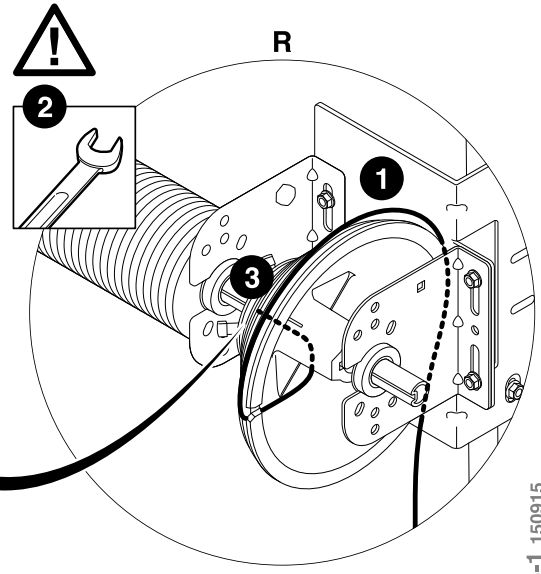
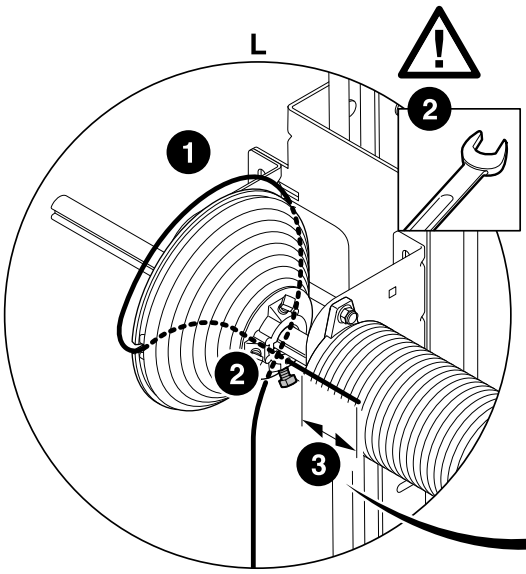
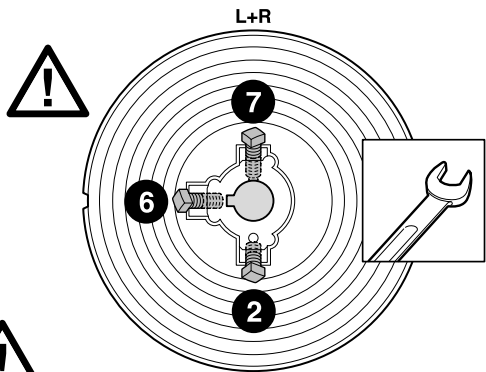
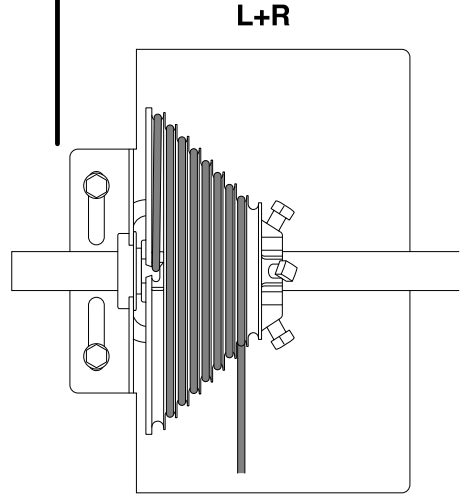
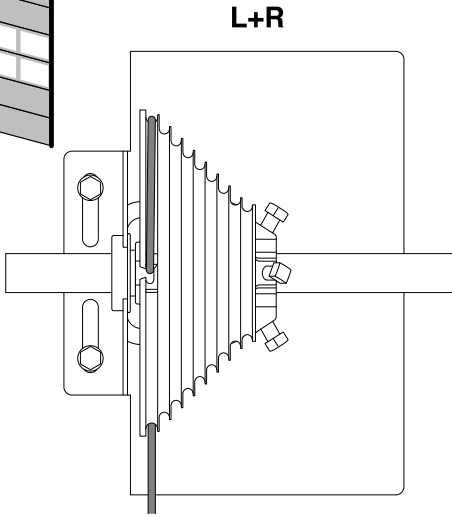
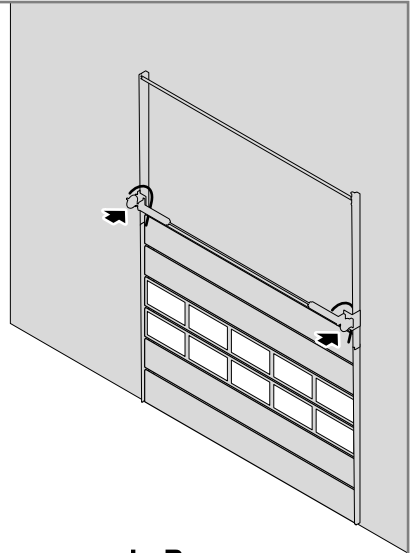
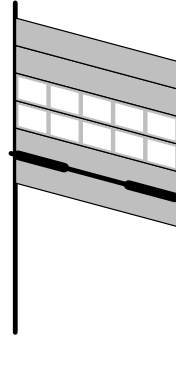
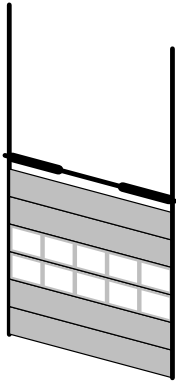
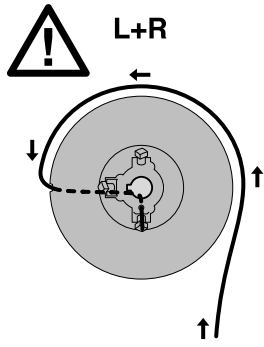


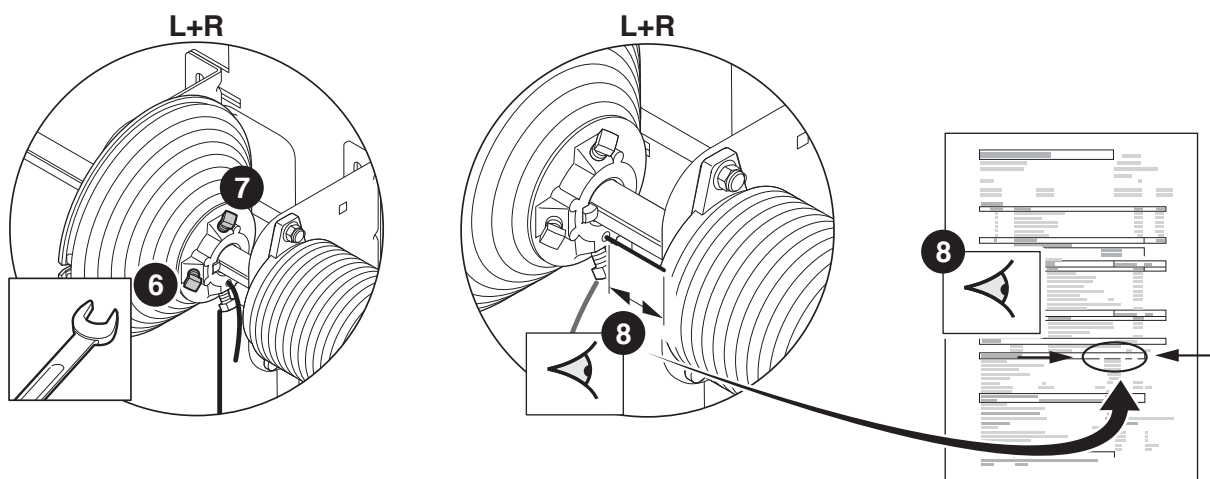
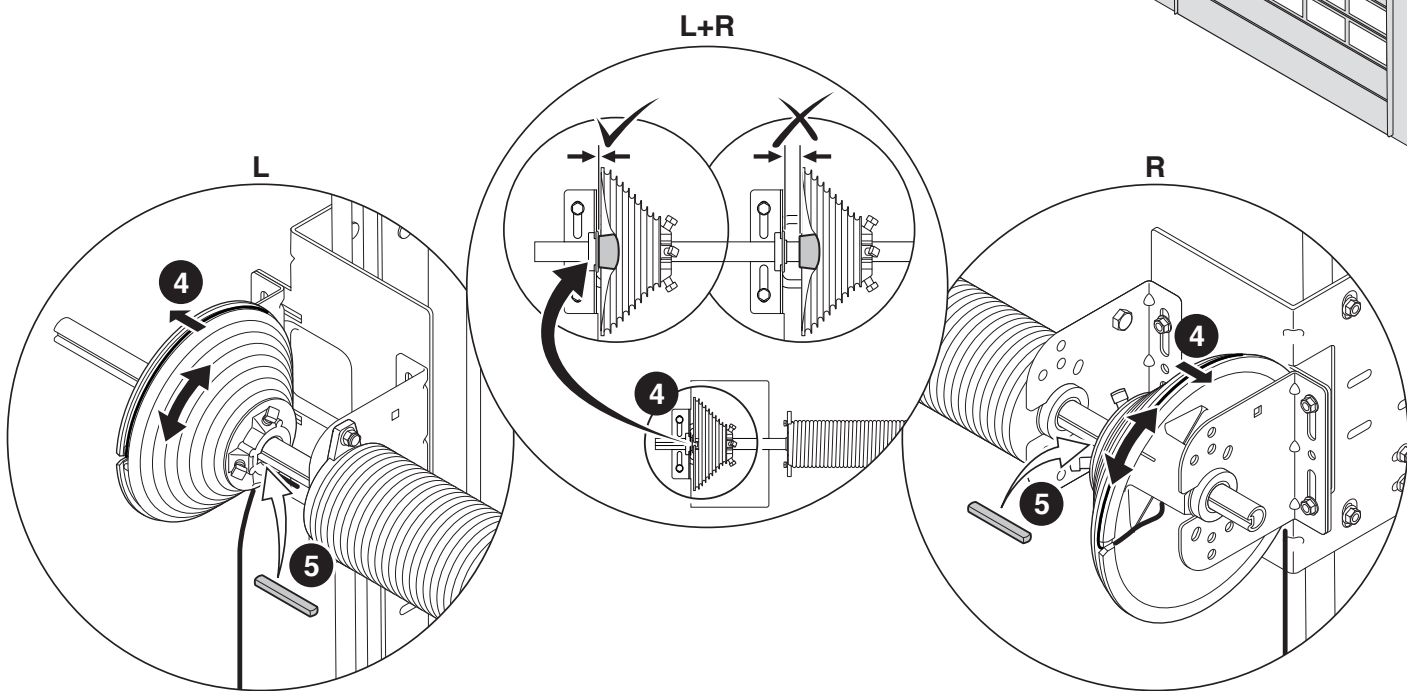
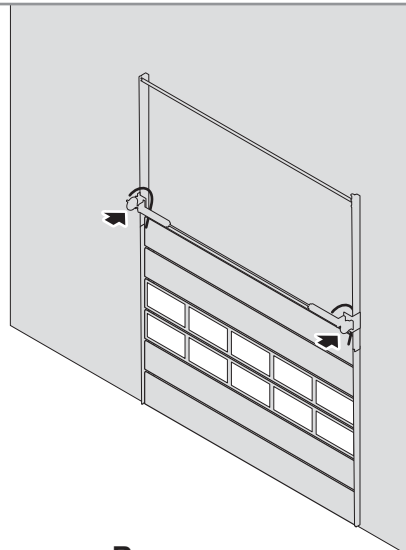


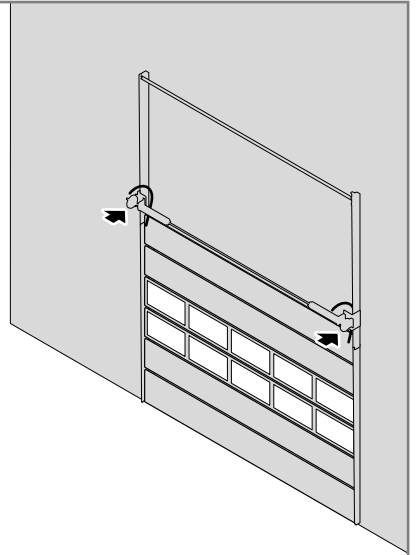
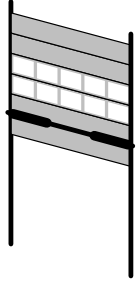




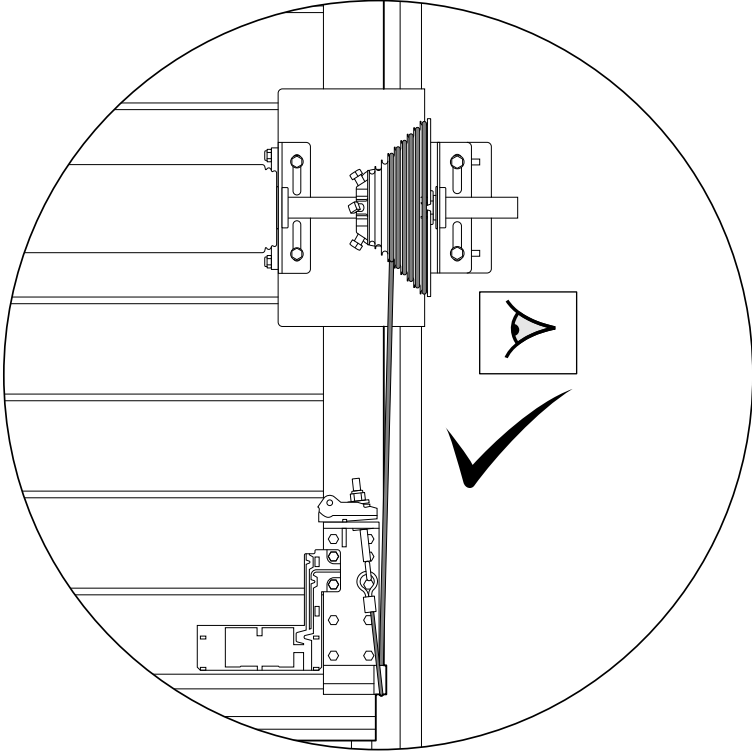




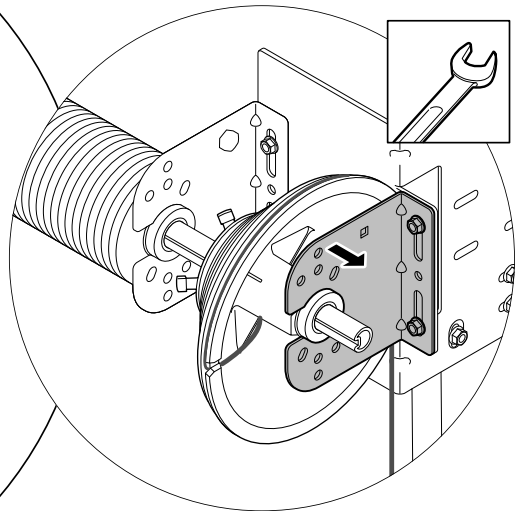
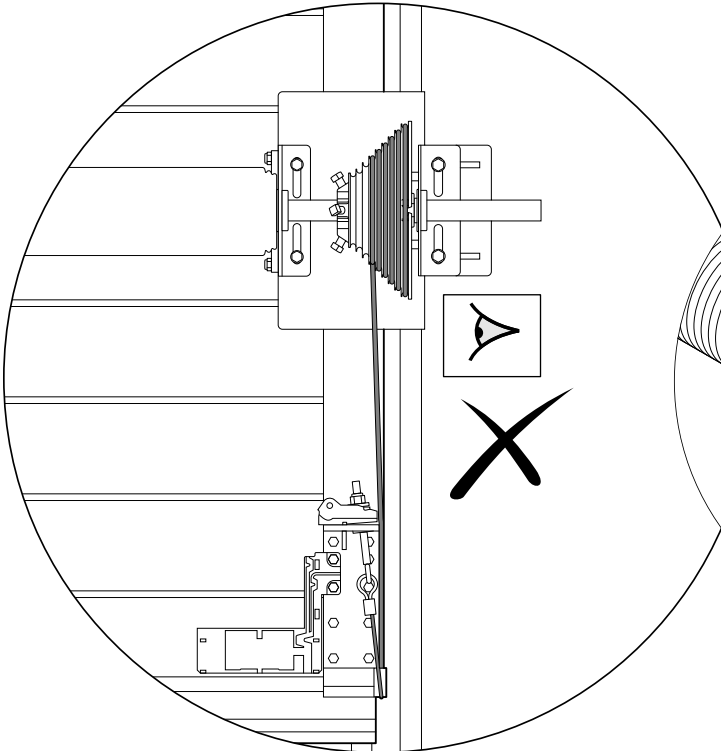


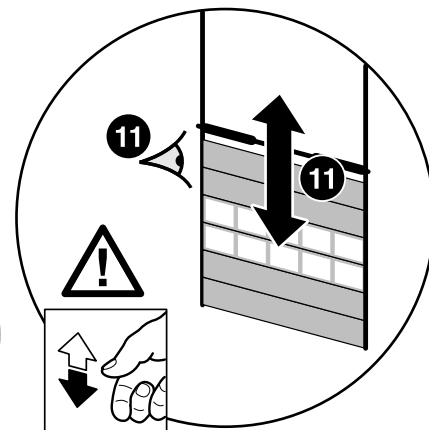
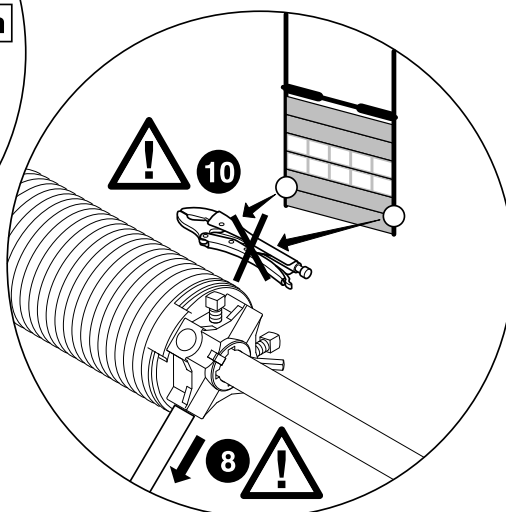
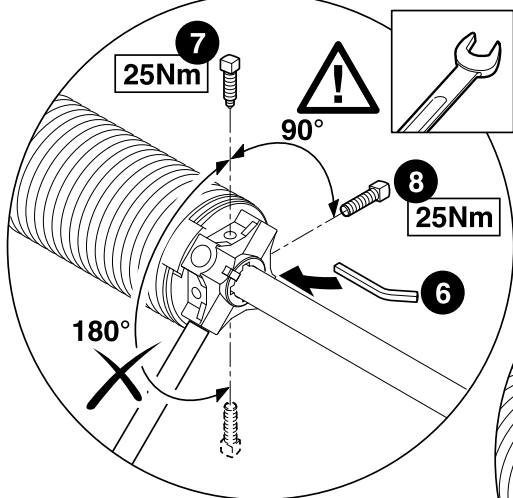
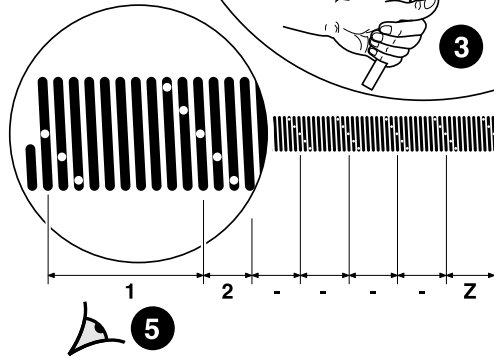
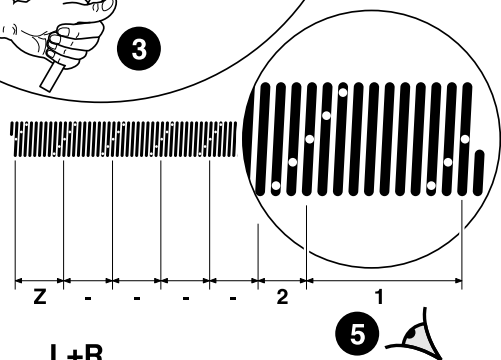
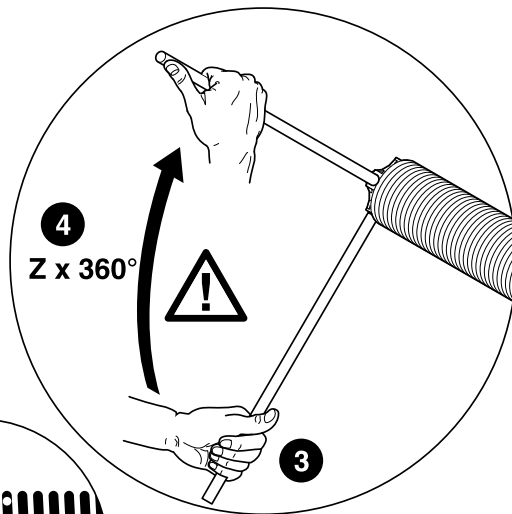
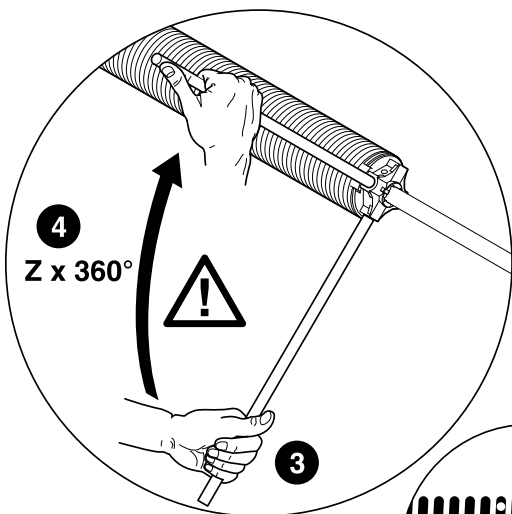
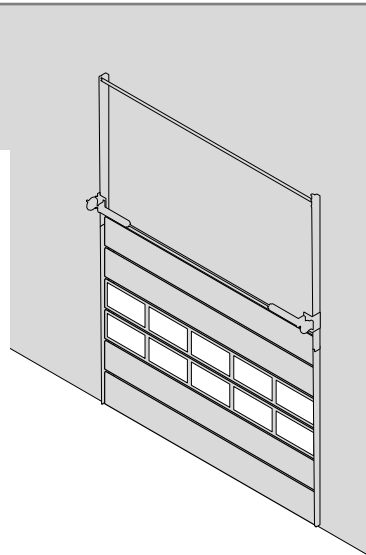
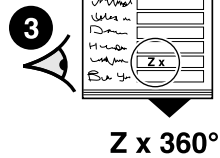
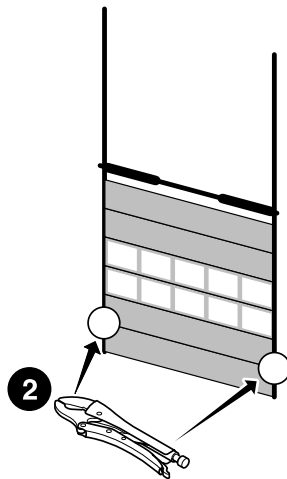
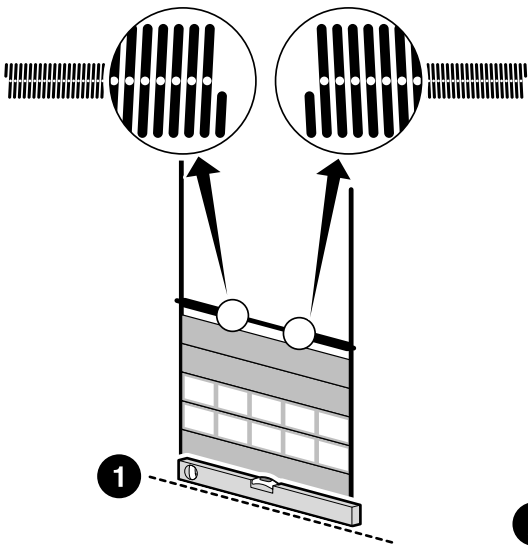


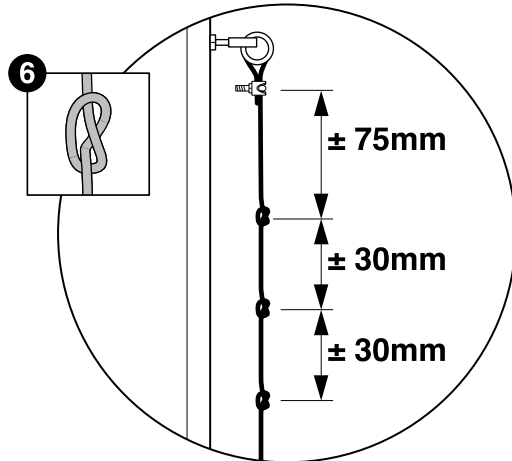
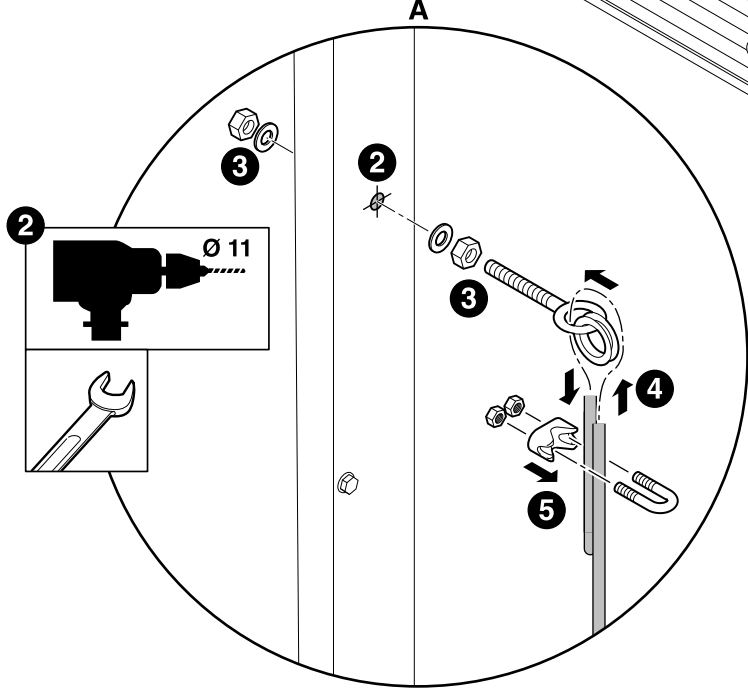
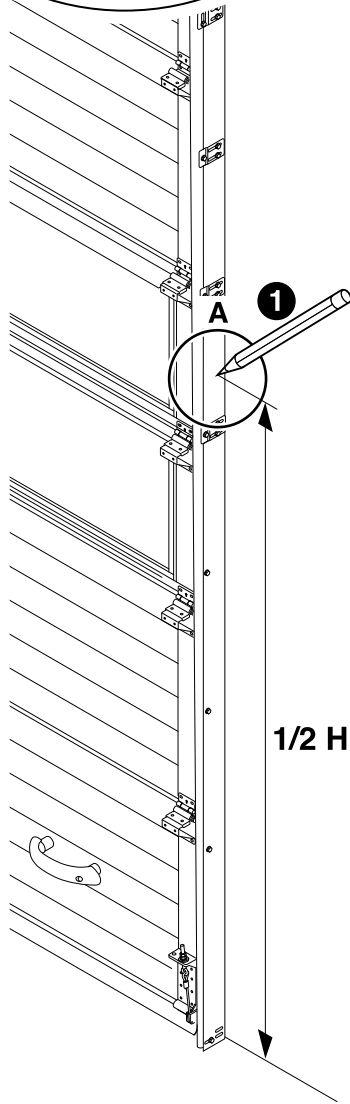
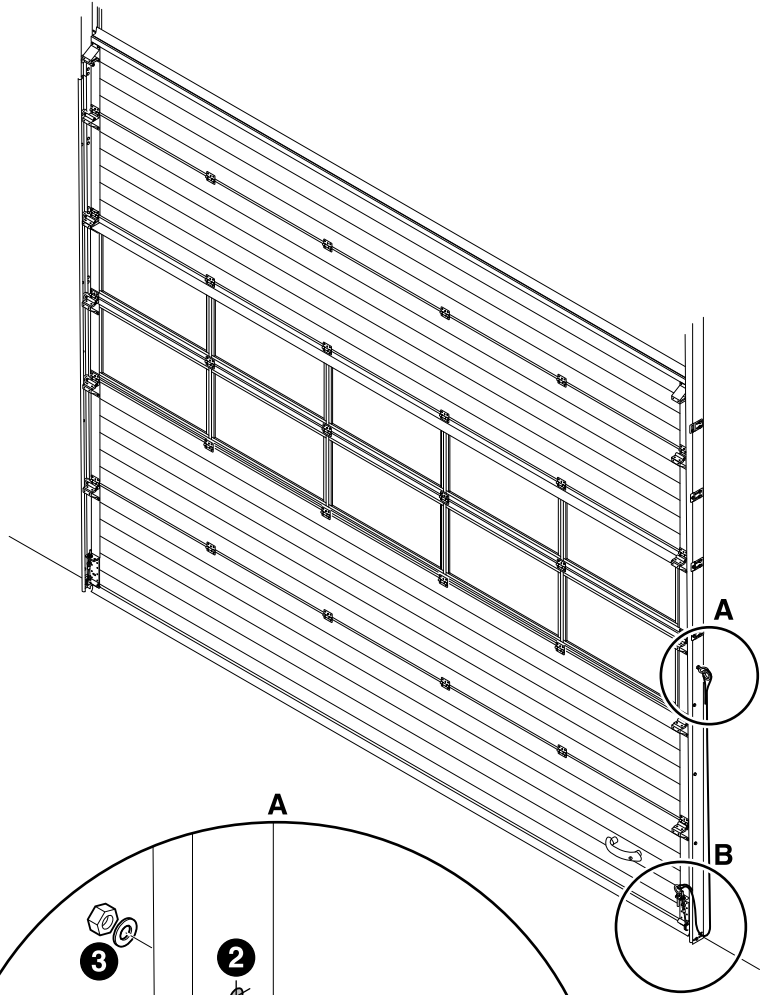
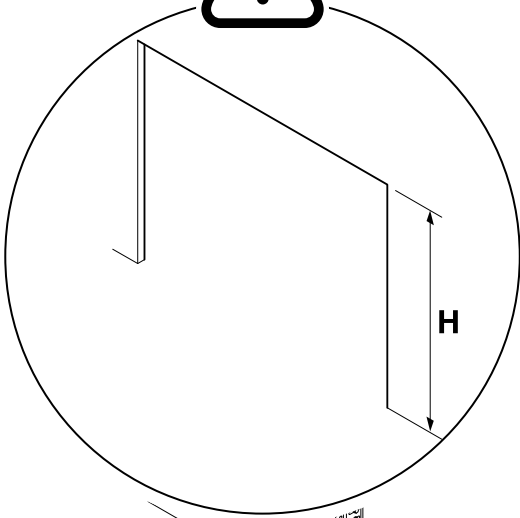
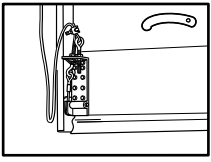
L+R

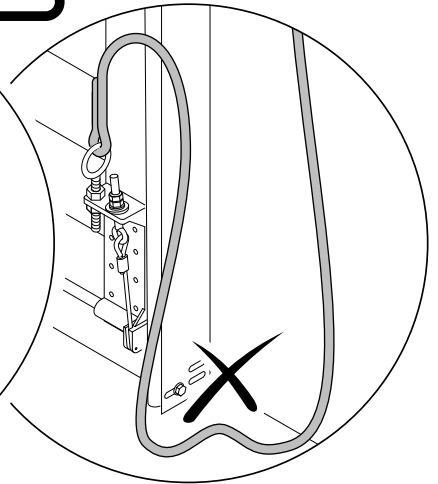
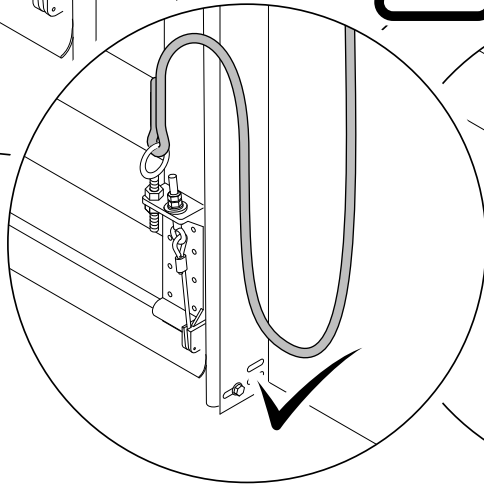
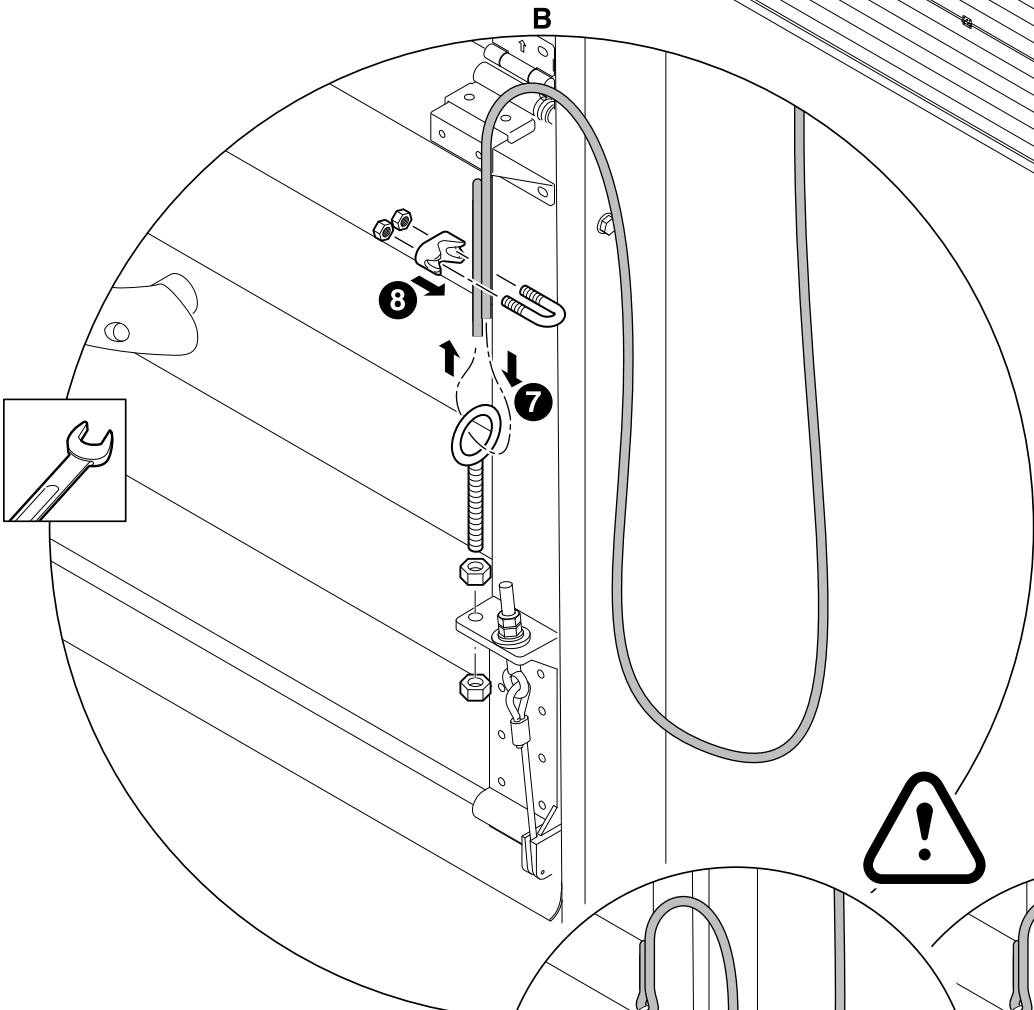
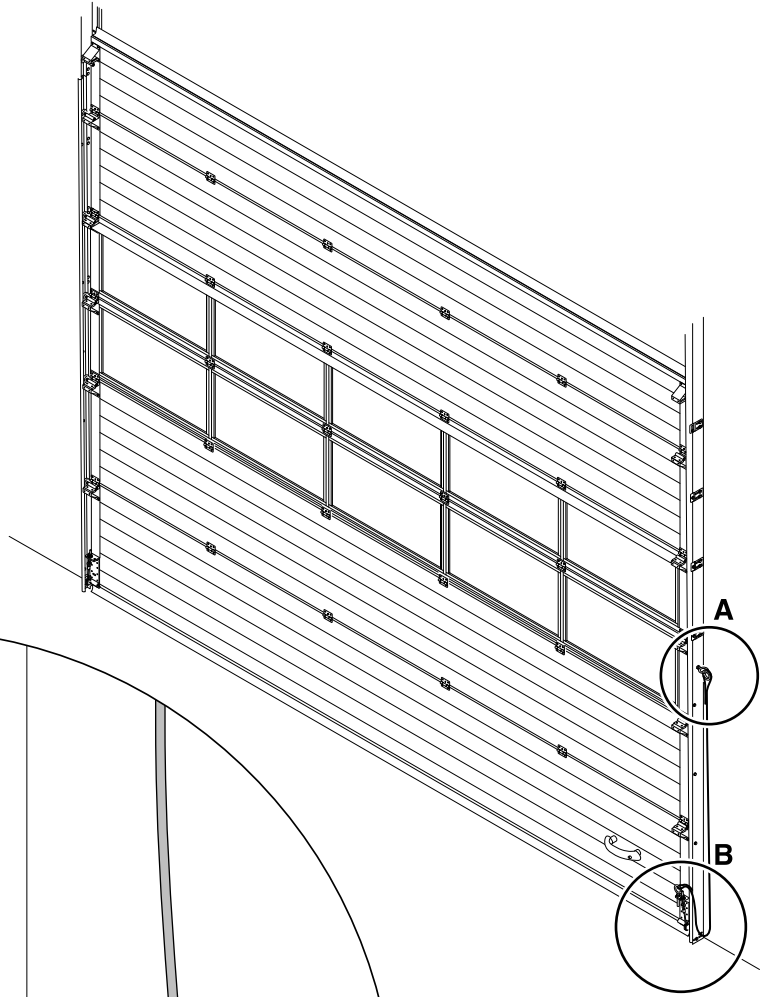
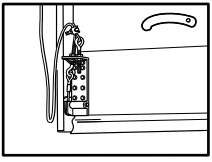


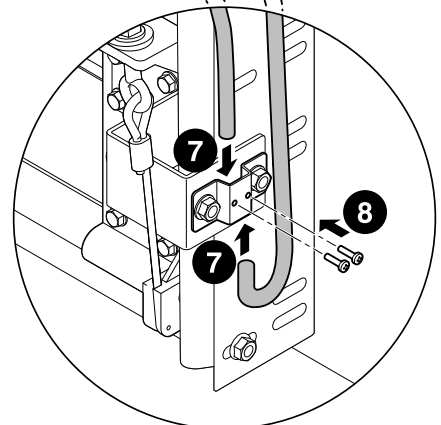
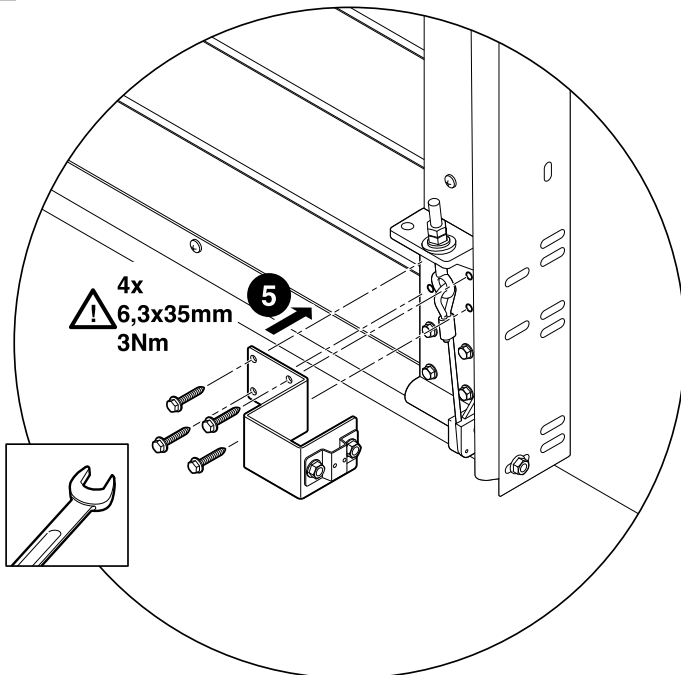
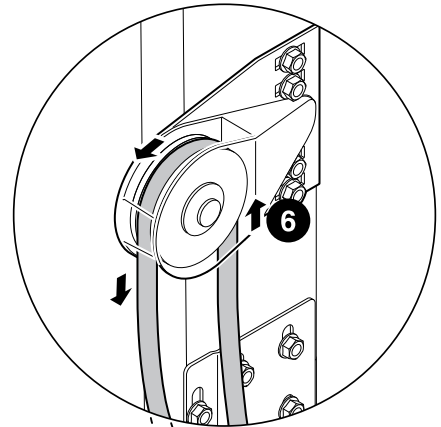
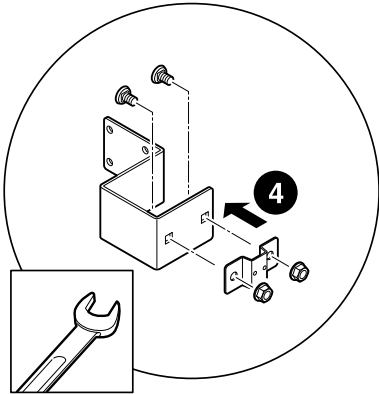
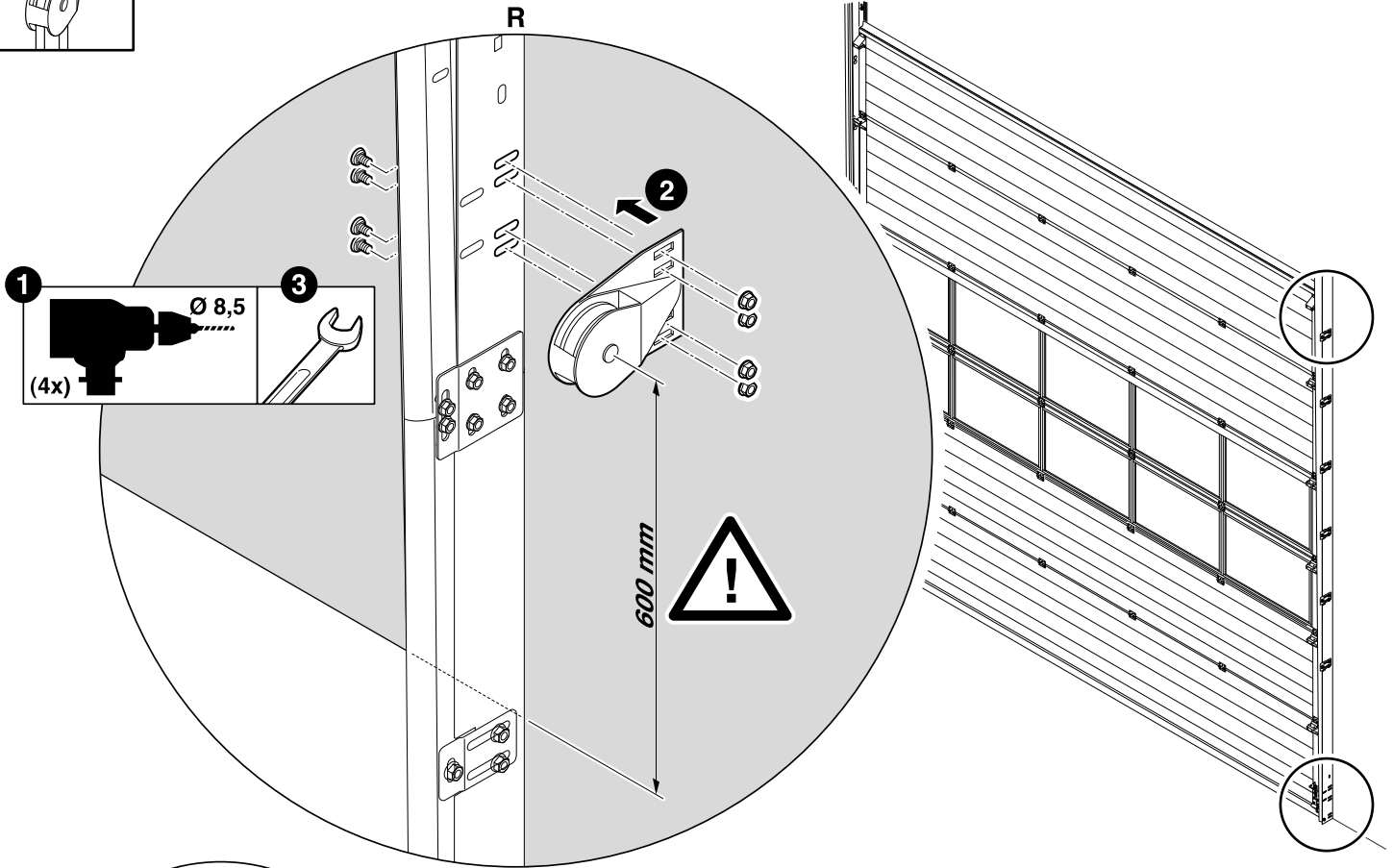
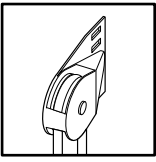
L+R

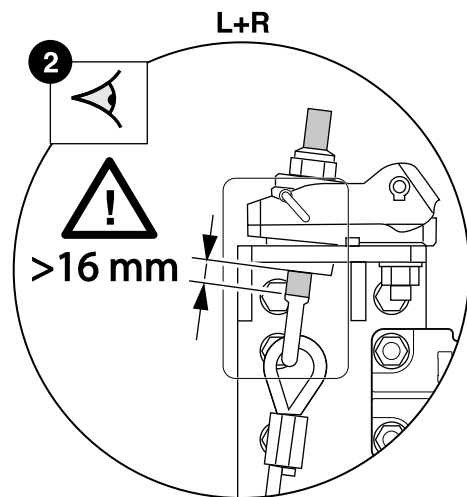
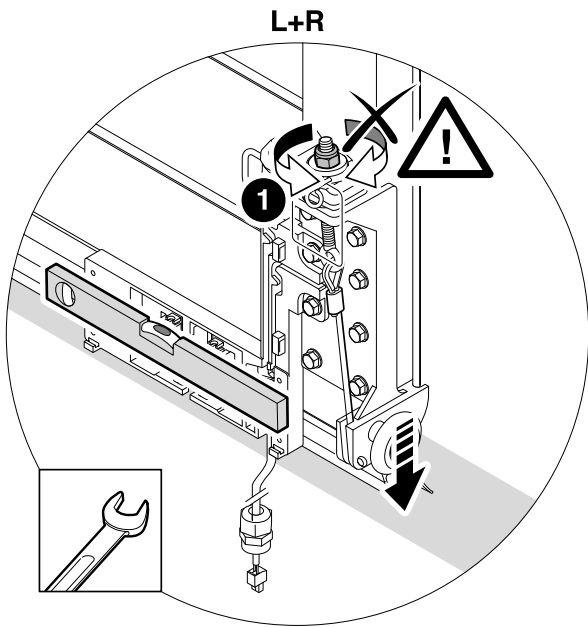
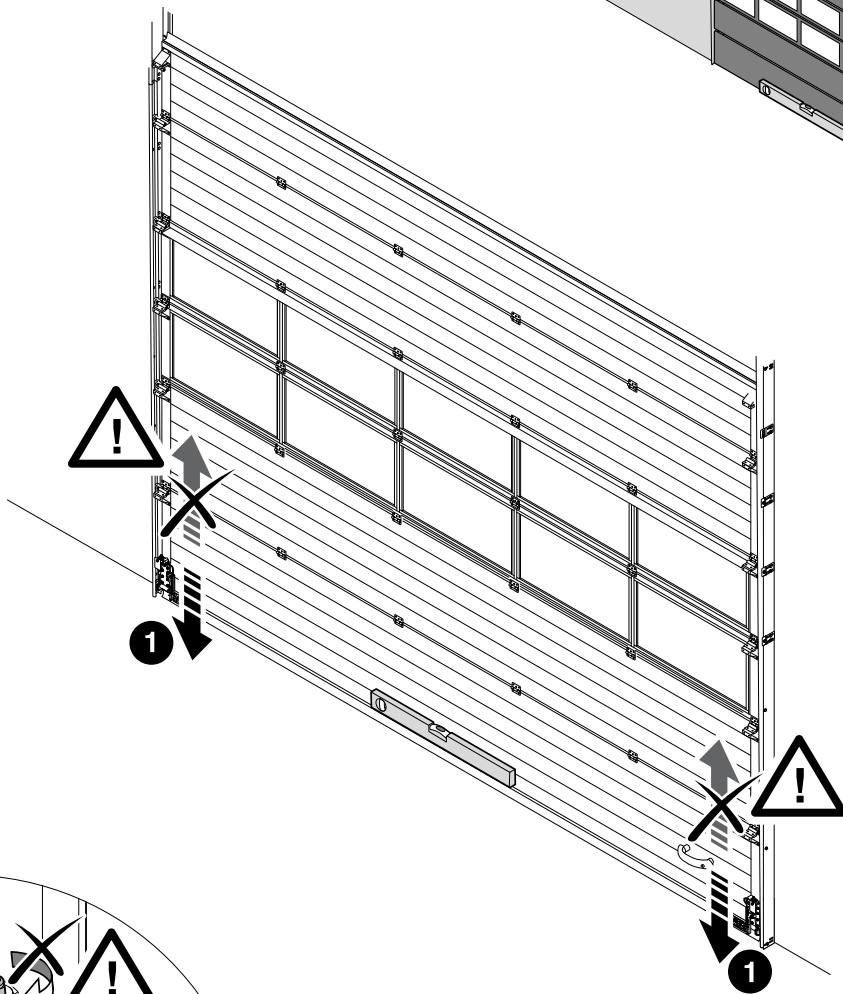
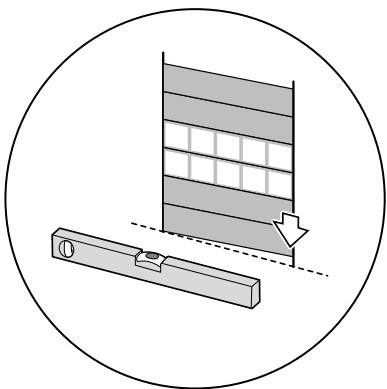
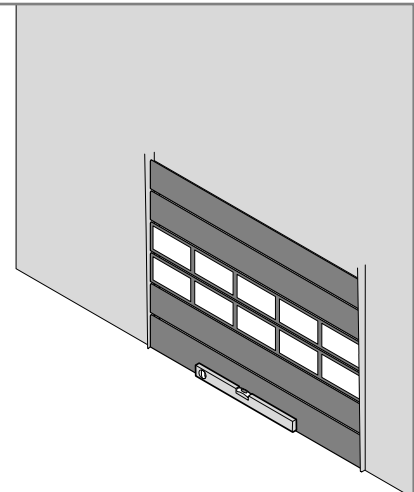
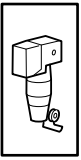


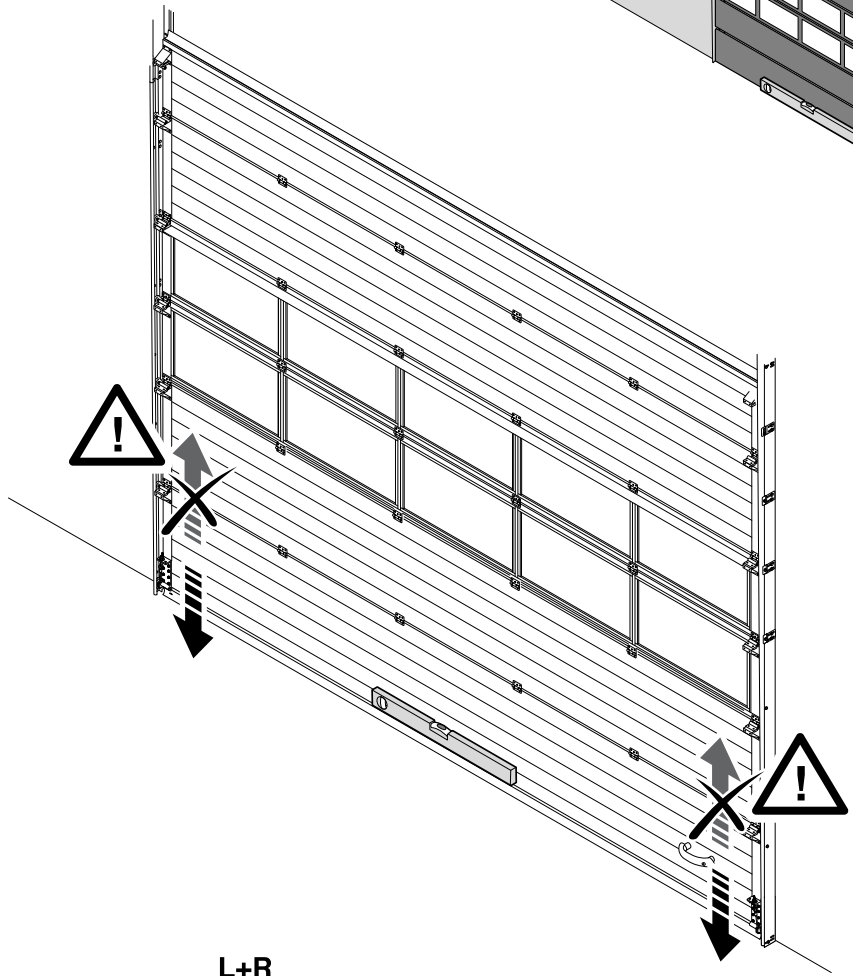
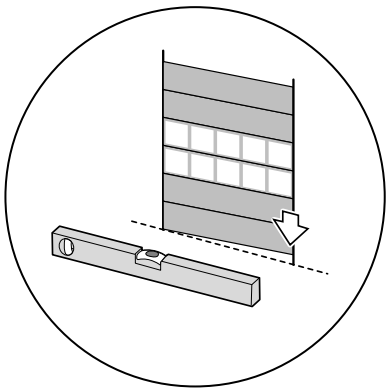
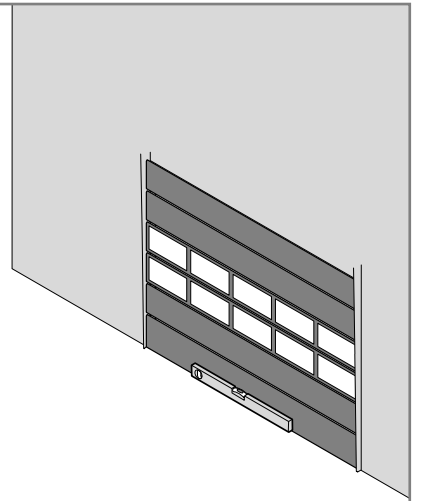
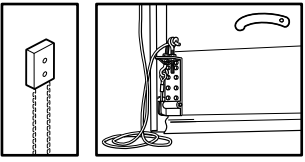




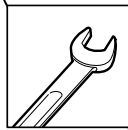
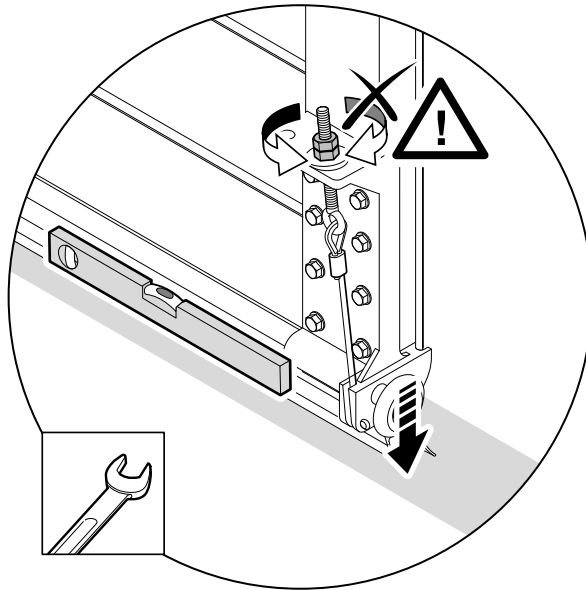


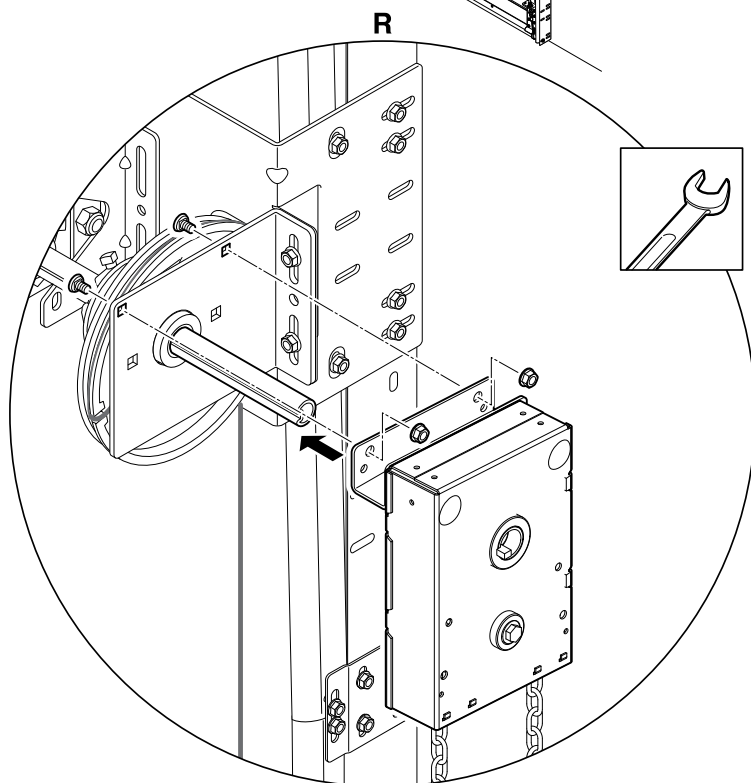
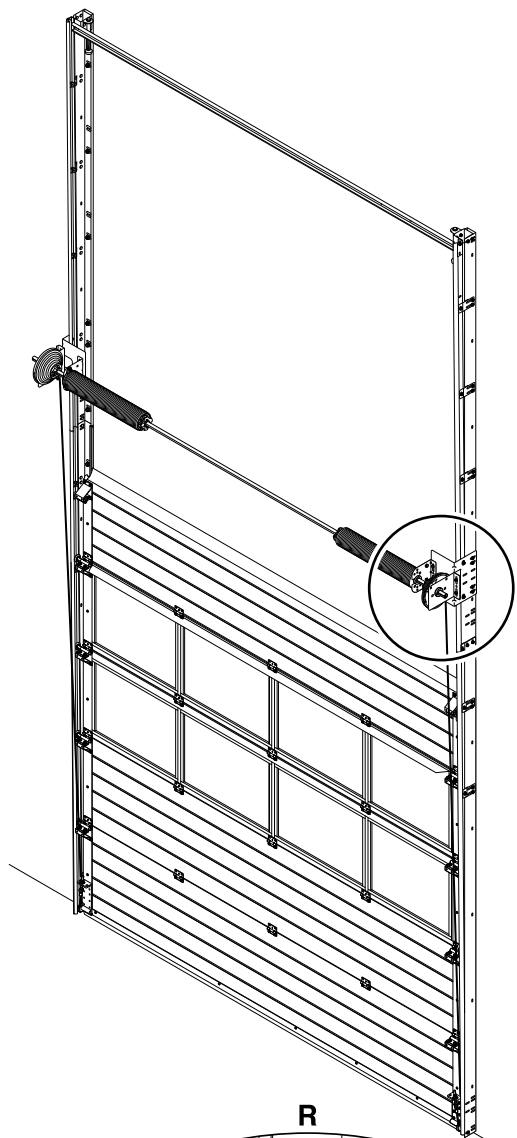
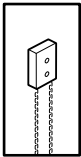


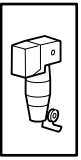




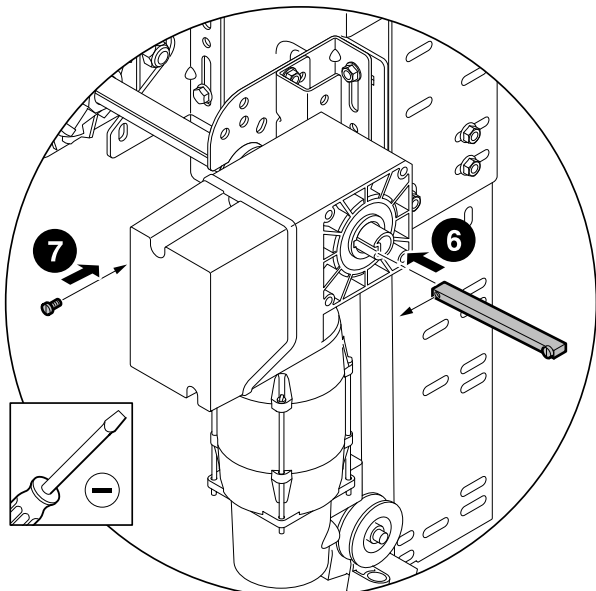
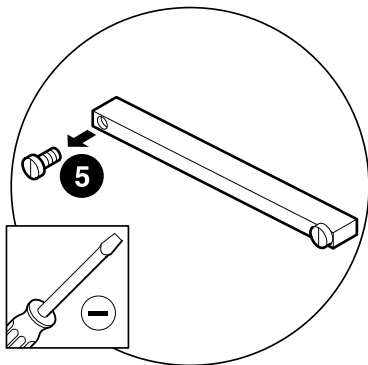
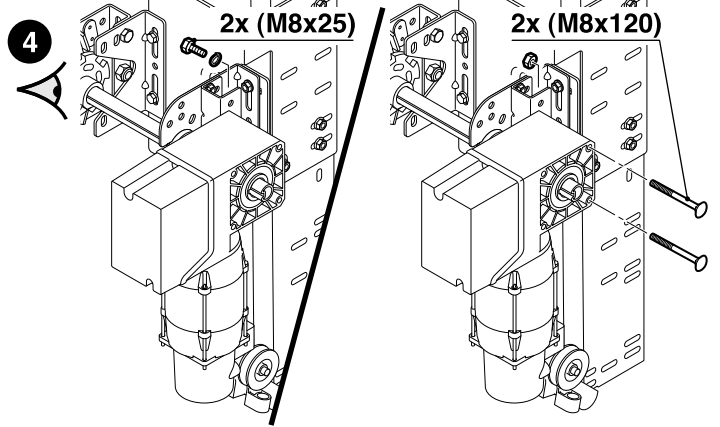
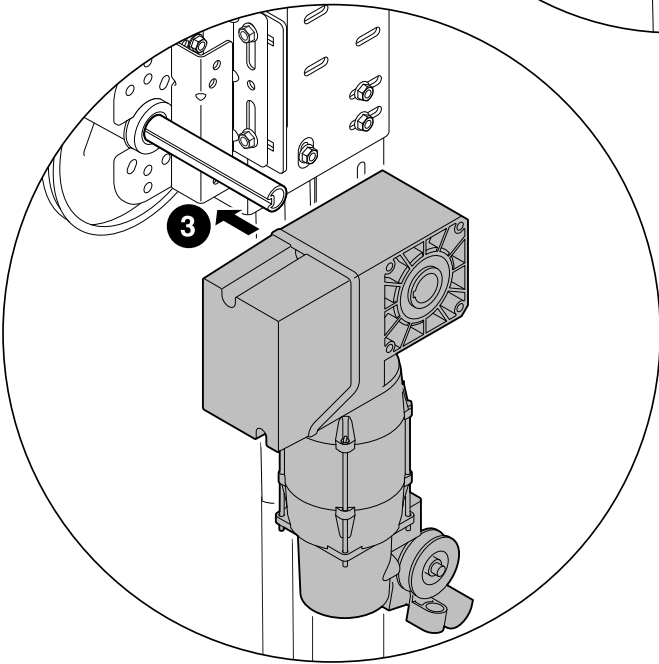
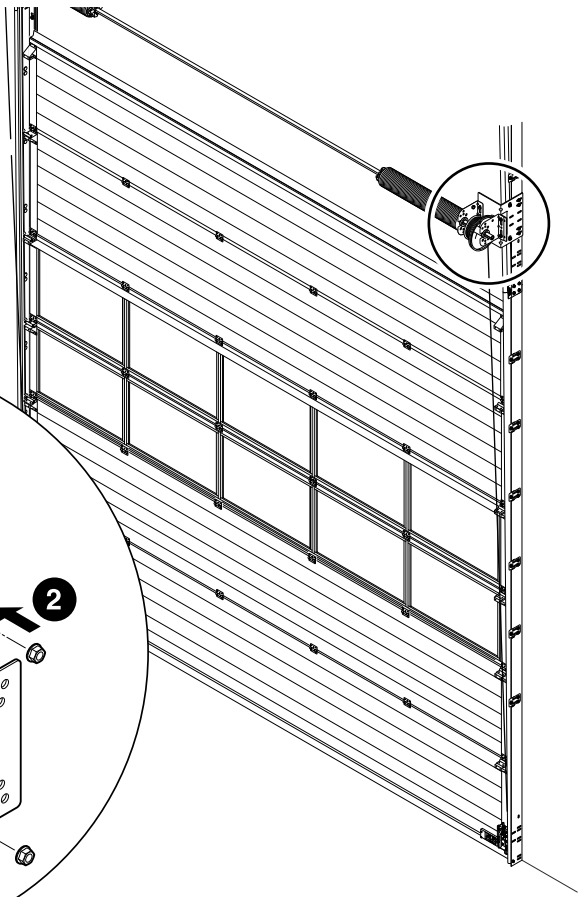
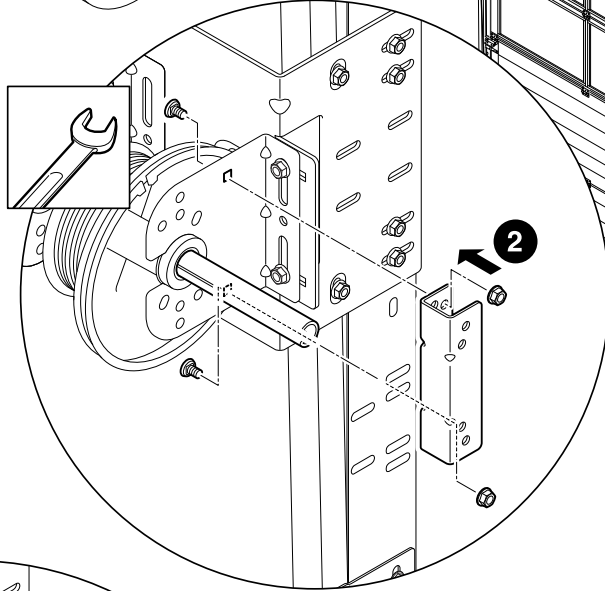
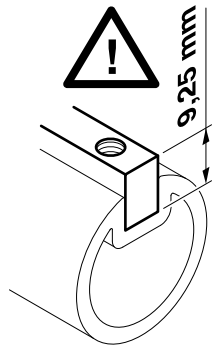
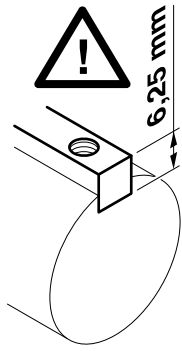
L+R

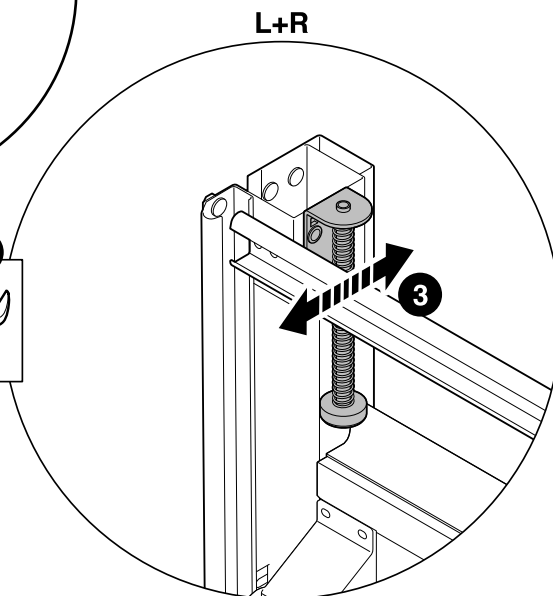
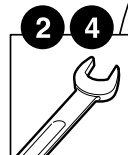
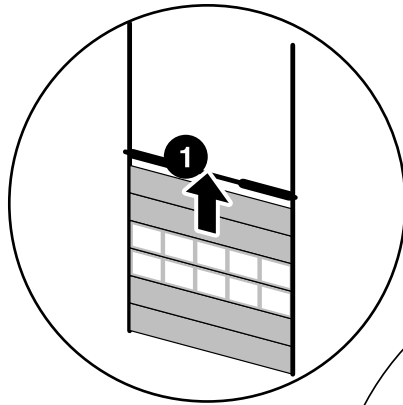
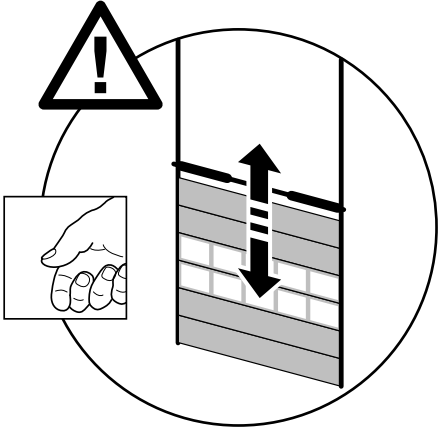
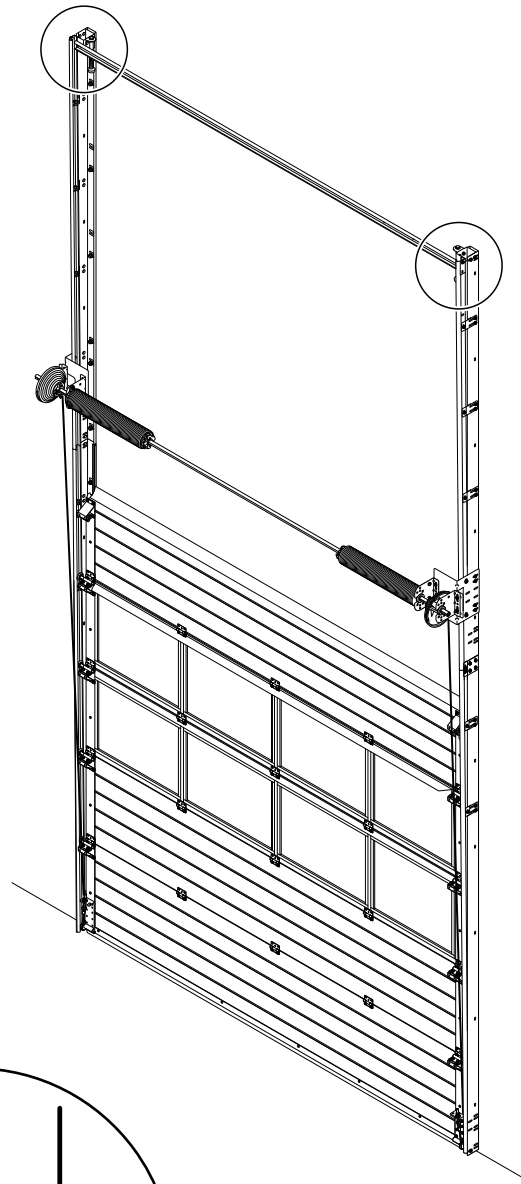
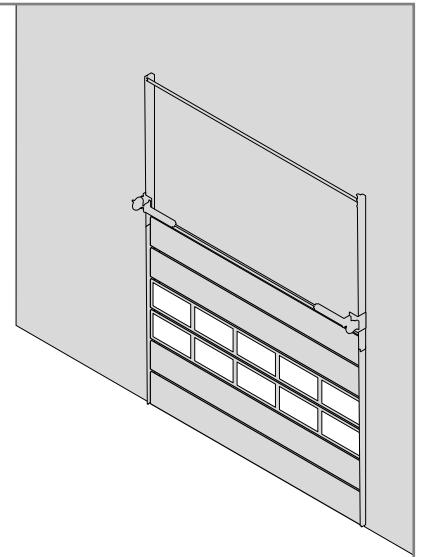
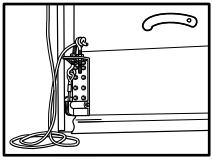


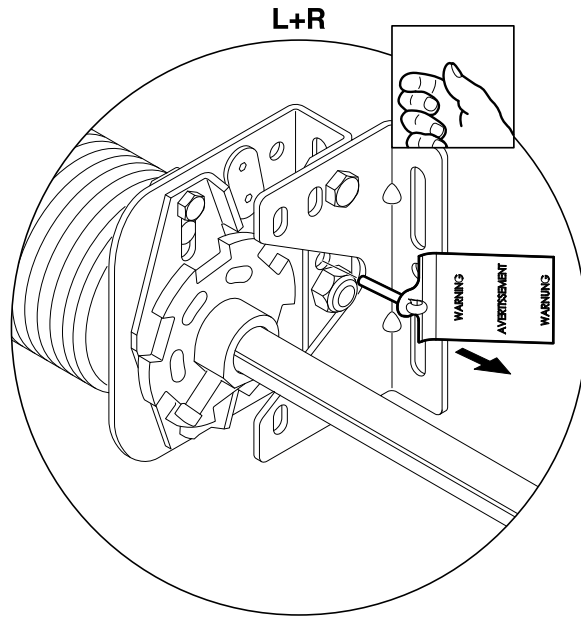
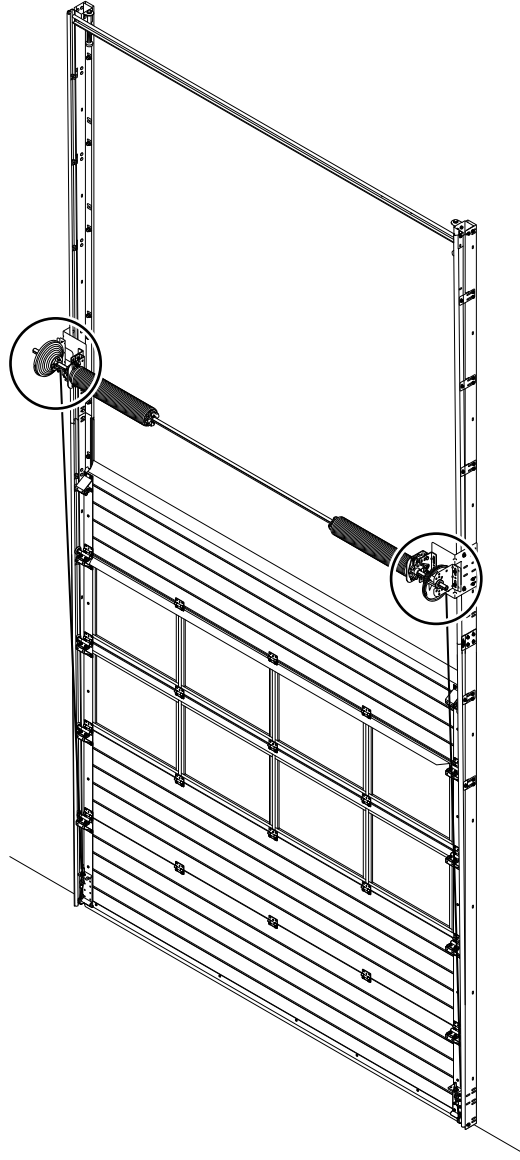
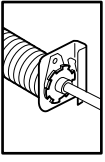


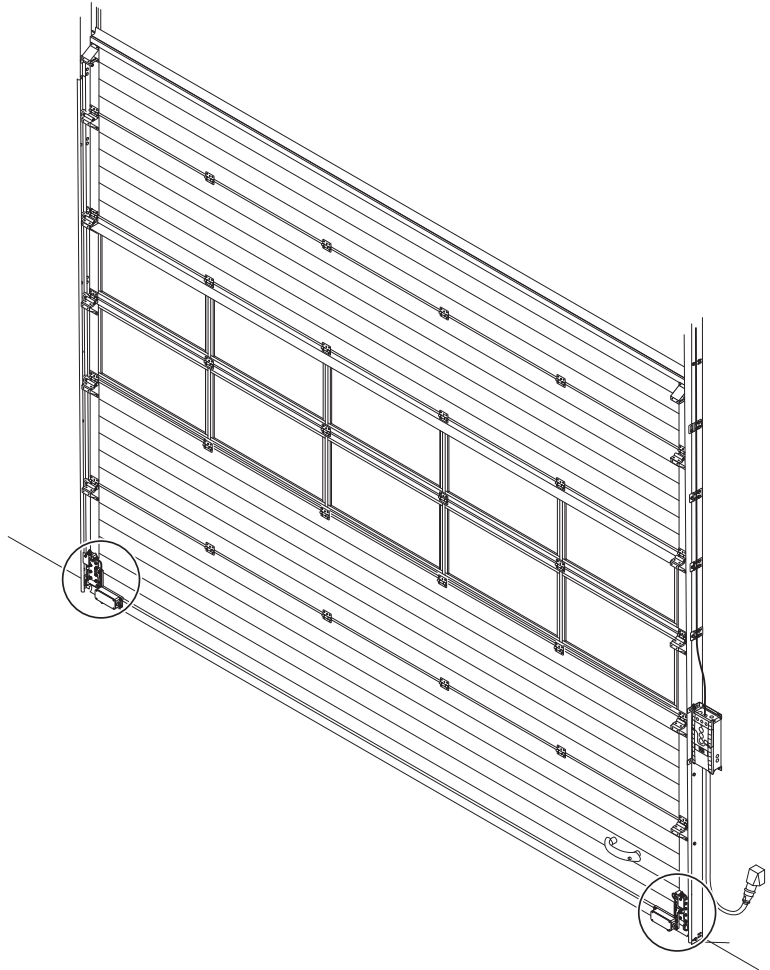
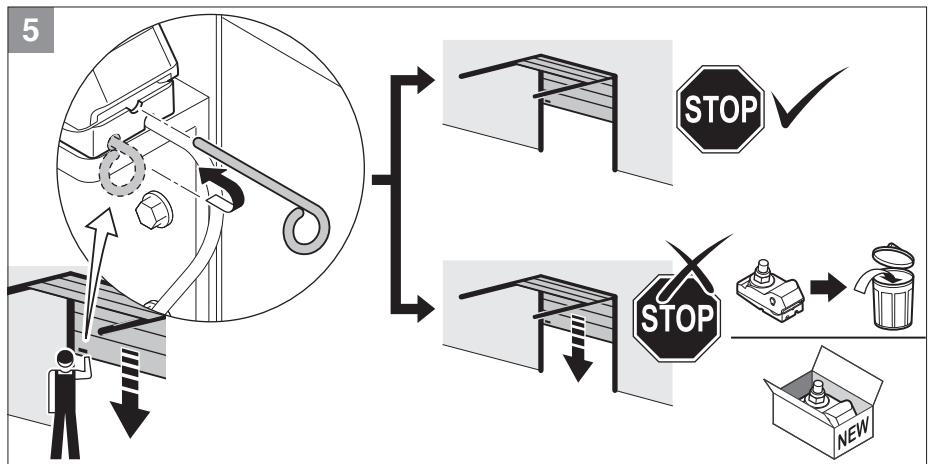
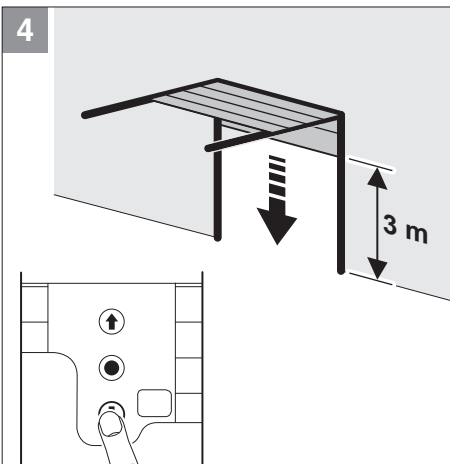
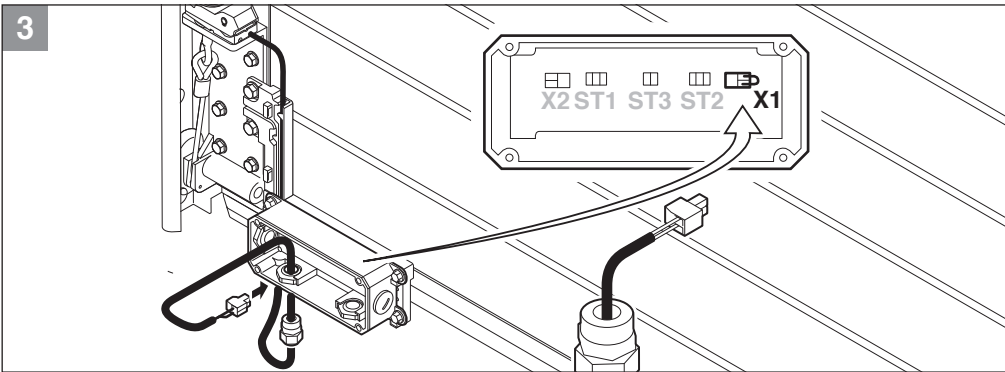
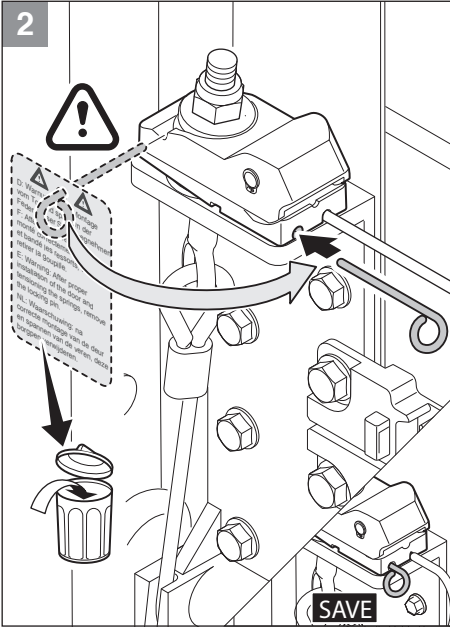
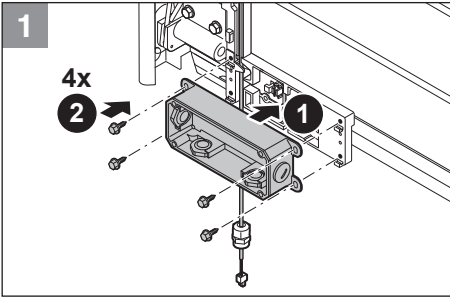


1









© Copyright Novoferm Nederland B.V.

This manual was prepared and issued by Novoferm Nederland B.V. the Netherlands. It is supplied to approved agents of Novoferm Nederland B.V. All rights are reserved. The information in this document is the property of Novoferm Nederland B.V., the Netherlands. Disclosure of this information or any part of it to third parties is prohibited, except with prior and express written permission of Novoferm Nederland B.V., the Netherlands.